

310 COLLECTION

DOUBLE SDH

- 8" 3107808
- 12" 3107812
- 18" 3107818
- 24" 3107824

PRODUCT NAME: DOUBLE SDH

PRODUCT CODE: 8" 3107808
 12" 3107812
 18" 3107818
 24" 3107824

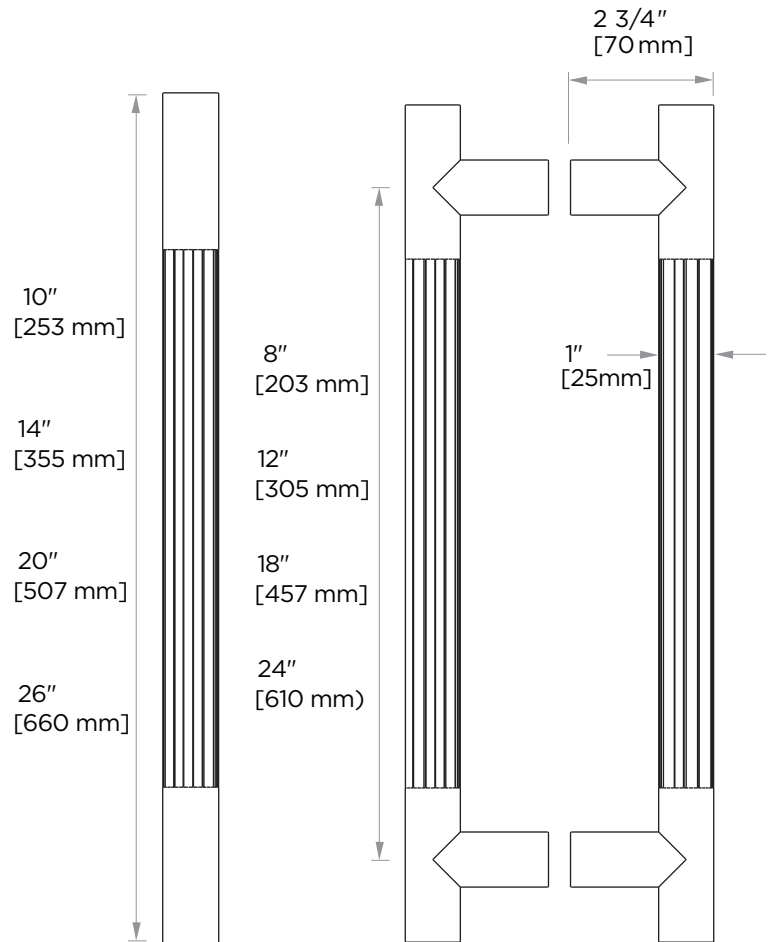
MATERIAL: All-brass construction

KEY FEATURES: Contemporary design with solid bold rectangular geometry.

STOCKED FINISHES: ● Polished Chrome (99)

SPECIAL FINISHES AVAILABLE: Please see our website for full list samples

WARRANTY:
 Lifetime Limited (Residential Use)
 One Year (Commercial Use)



NOTE: Dimensions and specifications are subject to change without notice.