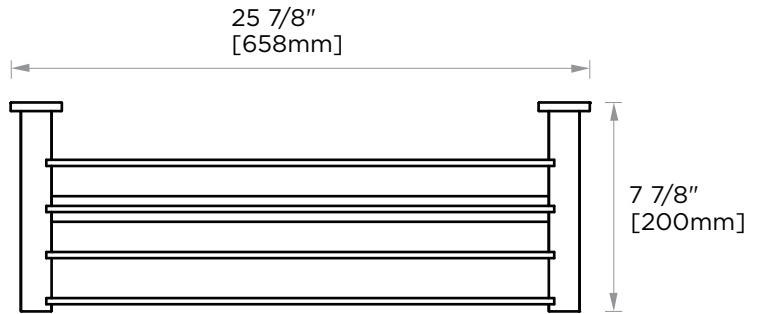
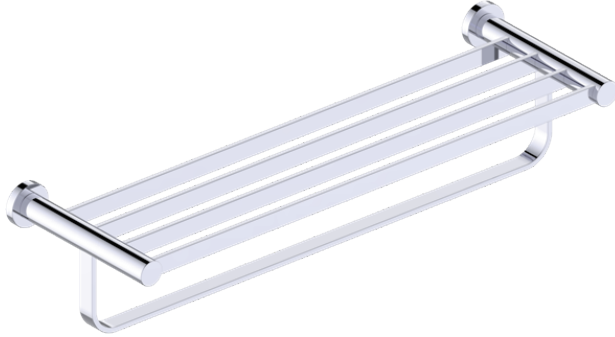


**PORTO COLLECTION**  
**DOUBLE TOWEL SHELF**  
137442



**PRODUCT NAME:** DOUBLE TOWEL SHELF

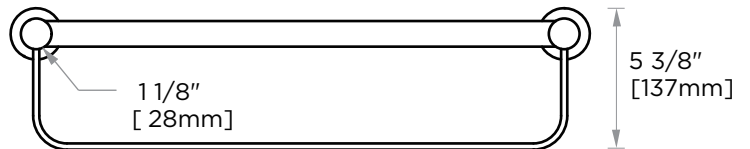
**PRODUCT CODE:** 137442

**MATERIAL:** All-brass construction

**KEY FEATURES:** Contemporary design. Round and linear geometries. Sleek modern aesthetic.

**STOCKED FINISHES:**

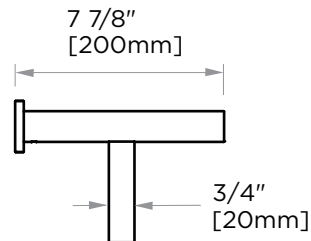
- Polished Chrome (99)
- Brushed Nickel (81)
- Polished Nickel (68)



**SPECIAL FINISHES AVAILABLE:** 26 options available. Please see our website for full list samples

**WARRANTY:**

Lifetime Limited (Residential Use)  
One Year (Commercial Use)



NOTE: Dimensions and specifications are subject to change without notice.