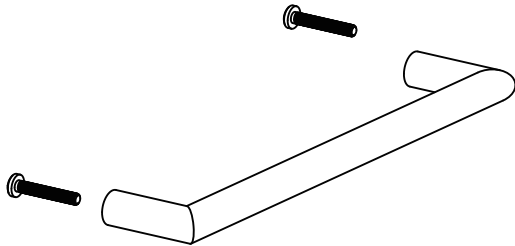
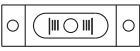
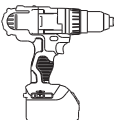

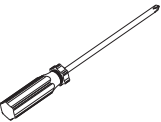

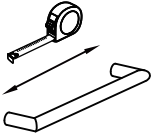


SEVILLE COLLECTION APPLIANCE PULL

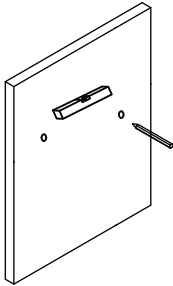
- 12" 188912
- 18" 188918
- 24" 188924
- 30" 188930



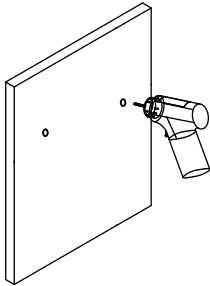
Tools required for installation		
		
Level	Drill	Pencil
		
Screwdriver	Hammer	



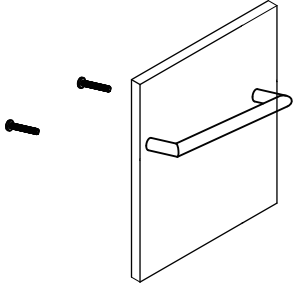
Step 1
Measure the Center to Center distance of pull with tape.



Step 2
Mark the holes position with pencil, make sure the holes are level.



Step 3
Drill holes on the board.



Step 4
Fix the screws onto pull and tighten it.