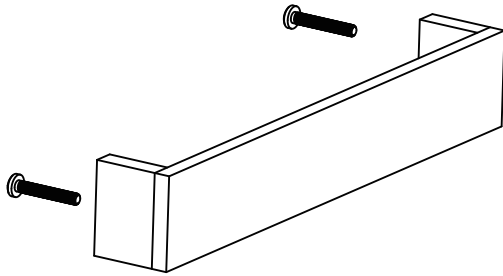
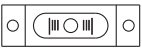
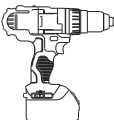

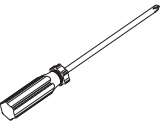



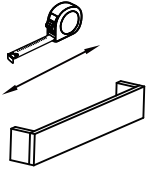
## HAMBURG COLLECTION APPLIANCE PULL

- 12" 440912
- 18" 440918
- 24" 440924
- 30" 440930

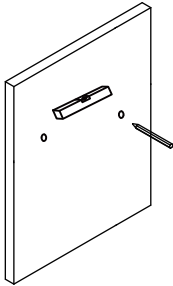


**Tools required for installation**

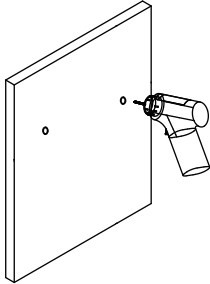
		
Level	Drill	Pencil
		
Screwdriver	Hammer	



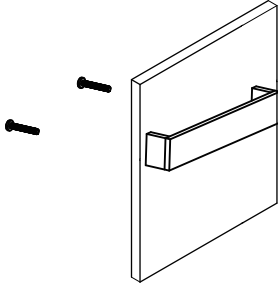
**Step 1**  
Measure the Center to Center distance of pull with tape.



**Step 2**  
Mark the holes position with pencil, make sure the holes are level.



**Step 3**  
Drill holes on the board.



**Step 4**  
Fix the screws onto pull and tighten it.