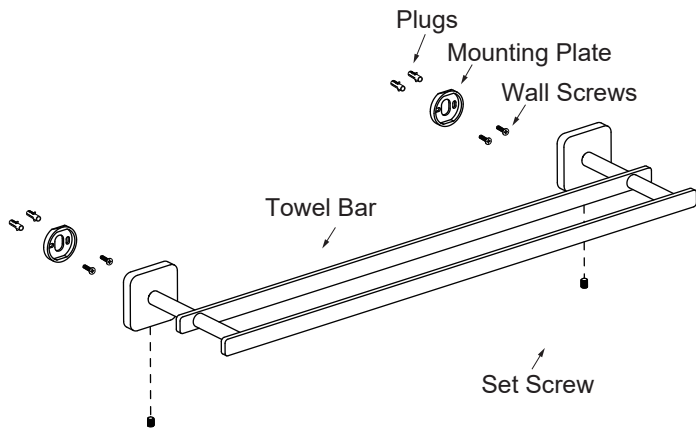




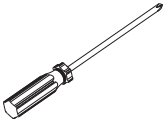
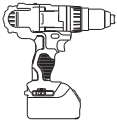

## MILAN COLLECTION

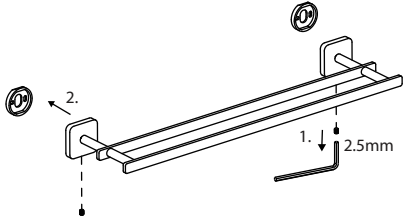
### DOUBLE TOWEL BARS

254182



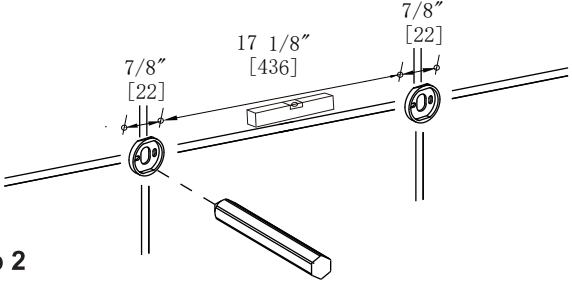
**Tools required for installation**

	
Level	Pencil
	
Screwdriver	Drill
	
	Hammer



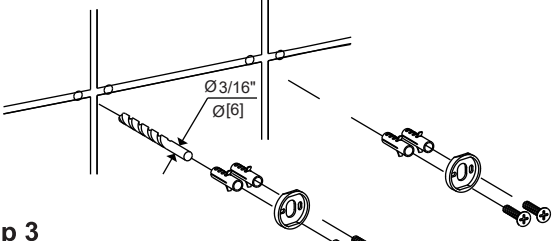
**Step 1**

Loosen the set screw on the accessory and remove the backing plates. Position the accessory against the wall and mark outline with pencil.



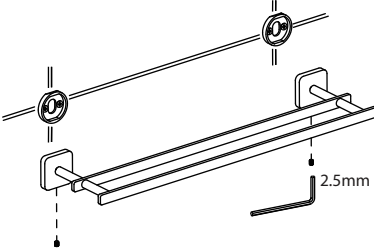
**Step 2**

Position the backing plates flat side down on the wall and mark holes with pencil.



**Step 3**

Predrill 3/16" holes on the wall to fit wall plugs. Insert wall plugs into the wall. Position backing plates flat side down over the plugs and install screws.



**Step 4**

Slide the accessory onto the backing plates and tighten the set screws using Allen key provided.