



Stainless Steel
KVWB406DSS

General Features & Properties

- 3-Speed Fan Control
- Whisper Quiet® System @ 39 dBA (0.4 Sones) at Low Speed
- Dishwasher Safe Grease Filters
- Easy In-line Conversion

Electrical Details

Amps	15
Volts	120

Certifications

Star-K Certified/Kosher	Yes
-------------------------	-----

Technical Details

Blower Power	Centrifugal
Hood Type	Wall Mount
CFMs	400
Lighting Type	LED
Number of Speeds	3
Venting Type	Exterior or Recirculating

Dimensions

Product Dimensions (H x W x D)	28-7/8" x 36" x 20"
--------------------------------	---------------------

Reference Material

- [Dimension Guide](#)
- [Install Guide](#)
- [Use & Care Guide](#)
- [Warranty](#)

Key Features & Benefits

400 CFM/65K BTU Threshold

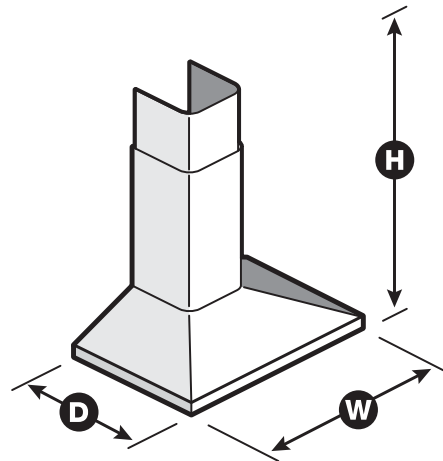
Allows installation over any KitchenAid® regular 36- or 30-inch range or cooktop, and some commercial-style cooking surfaces with outputs up to 65K BTU.

Perimeter Ventilation

Increases ventilation system efficiency by pulling air from the edges of the hood and speeding up the movement of air at the center, allowing it to efficiently handle up to a 65K BTU total output.

LED Task Lights

Provide extra lighting over the cooking surface to help in the cooking process.



NOTE: Dimensions are for planning purposes only. For complete details, see Installation Instructions packed with product. Specifications subject to change without notice.