



7.1 cu. ft. Slide-In Electric Induction Range

KSIB900E



Stainless Steel
KSIB900ESS

Key Features & Benefits

Induction Cooking Elements

Ranges with induction elements use electromagnetic energy to generate instant heat directly to cookware for more precise results.

Baking Drawer

The separate compartment allows for slow cooking, baking at a different temperature and keeping dishes warm.

Even-Heat™ True Convection

The unique bow-tie design and convection fan ensure the inside of the entire oven is heated to, and stays at, the perfect temperature.

Capacity

Oven 7.1 cu. ft.

General Features & Properties

Steam Rack

7.1 cu. ft. Total Capacity

4 Inductions Elements with Bridge Zone

EasyConvect™ Conversion

FIT System Limited Guarantee*

AquaLift®

Glass Touch Controls

Side Trim Accessory Kit

SatinGlide® Max Racks

Electrical Details

Amps 40

Volts 240

Certifications

ADA Compliant Yes

Technical Details

Fuel Type	Electric Induction
Range Type	Slide-In Single Oven
Oven Cooking System	True Convection
Number of Oven Racks	3
Cleaning Type	AquaLift® Self-Clean
Number of Elements	4
Element Type	Induction
Element Size/Power	(1) 6" 1800W (2) 7" 2500W (1) 11" 3600W

Dimensions

Product Dimensions (H x W x D)	36" x 29-7/8" x 28-7/8"
Depth with Door Open 90°	48-3/4"
Cutout Width	30"

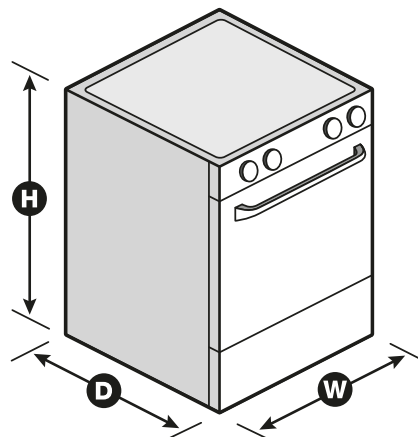
Reference Material

[Dimension Guide](#)

[Install Guide](#)

[Use & Care Guide](#)

[Warranty](#)



*Visit kitchenaid.com for complete details.

NOTE: Dimensions are for planning purposes only. For complete details, see Installation Instructions packed with product. Specifications subject to change without notice.

®/™ © 2020. All rights reserved. Printed in the U.S.A. D200052XXB. KSIB900ESPECSHEETV01.