



6.4 cu. ft. Electric Downdraft Slide-In Range

KSEG950E



Stainless Steel
KSEG950ESS

Capacity

Oven	6.4 cu. ft.
------	-------------

General Features & Properties

6.4 cu. ft. Capacity

4 Cooking Elements

EasyConvect™ Conversion

AquaLift®

Glass Touch Controls

SatinGlide® Max Racks

Side Trim Accessory Kit

Electrical Details

Amps	40
------	----

Volts	240
-------	-----

Certifications

ADA Compliant	Yes
---------------	-----

Technical Details

Fuel Type	Electric
-----------	----------

Range Type	Slide-In
------------	----------

Oven Cooking System	Convection
---------------------	------------

Number of Oven Racks	3
----------------------	---

Cleaning Type	AquaLift® Self-Clean
---------------	----------------------

Number of Elements	4
--------------------	---

Element Type	Radiant & Radiant Hyper
--------------	-------------------------

Element Size/Power	(1) 10" 3200W (1) 12/6" 3000W (1) 6" 1300W (1) 6" 1200W
--------------------	--

Dimensions

Product Dimensions (H x W x D)	36" x 29-7/8" x 28-7/8"
--------------------------------	-------------------------------

Depth with Door Open 90°	48-3/4"
--------------------------	---------

Cutout Width	30"
--------------	-----

Reference Material

[Dimension Guide](#)

[Install Guide](#)

[Use & Care Guide](#)

[Warranty](#)

Key Features & Benefits

Downdraft

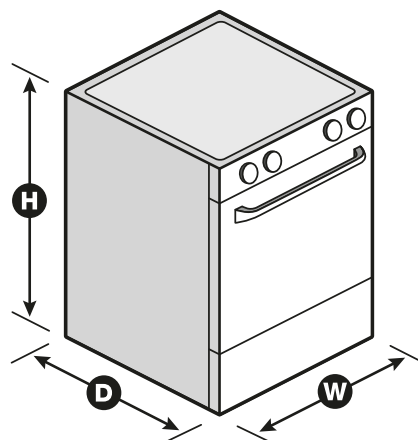
Integrates the ventilation system right into the range so that a separate hood is not needed. Smoke and odors can be removed and taken outside or air can be filtered and recirculated inside. A duct free kit can be purchased separately.

Even-Heat™ True Convection

Produces flawless results. The unique bow-tie design and convection fan ensure the inside of the entire oven is heated to, and stays at, the perfect temperature.

Steam Rack

Offers the ability to provide additional moisture to the inside of the oven, enhancing cooking results.



NOTE: Dimensions are for planning purposes only. For complete details, see Installation Instructions packed with product. Specifications subject to change without notice.

®/™ © 2020. All rights reserved. Printed in the U.S.A. D200052XXB. KSEG950ESPECSHEETV01.