



6.4 cu. ft. Dual Fuel Downdraft Slide-In Range

KSDG950E



Stainless Steel
KSDG950ESS

Capacity

Oven 6.4 cu. ft.

General Features & Properties

6.4 cu. ft. Capacity

4 Burners

EasyConvect™ Conversion

AquaLift®

Glass Touch Controls

SatinGlide® Max Racks

Side Trim Accessory Kit

Electrical Details

Amps 40

Volts 240

Certifications

ADA Compliant Yes

Technical Details

Fuel Type Dual Fuel

Range Type Slide-In

Oven Cooking System Convection

Number of Oven Racks 3

Cleaning Type AquaLift® Self-Clean

Number of Burners 4

Burner Type Sealed Burners

Burner Size/Power
(1) 17,000 BTU
(1) 15,000 BTU
(1) 9200 BTU
(1) 5000 BTU

Dimensions

Product Dimensions (H x W x D) 36" x 29-7/8" x 28-7/8"

Depth with Door Open 90° 48-3/4"

Cutout Width 30"

Reference Material

[Dimension Guide](#)

[Install Guide](#)

[Use & Care Guide](#)

[Warranty](#)

Key Features & Benefits

Downdraft

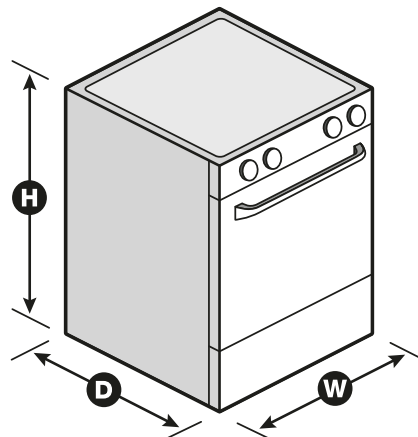
Integrates the ventilation system right into the range so that a separate hood is not needed. Smoke and odors can be removed and taken outside or air can be filtered and recirculated inside. A duct free kit can be purchased separately.

Even-Heat™ True Convection

Produces flawless results. The unique bow-tie design and convection fan ensure the inside of the entire oven is heated to, and stays at, the perfect temperature.

Steam Rack

Offers the ability to provide additional moisture to the inside of the oven, enhancing cooking results.



NOTE: Dimensions are for planning purposes only. For complete details, see Installation Instructions packed with product. Specifications subject to change without notice.

®/™ © 2020. All rights reserved. Printed in the U.S.A. D200052XXB. KSDG950ESPECSHEETV01.