



# 1.5 cu. ft. Slow Cook Warming Drawer

KOWT100E



Stainless Steel  
KOWT100ESS

## Capacity

Total	1.5 cu. ft
-------	------------

## General Features & Properties

2-Position Racks

Power Indicator Light

Custom-Control Technology

Sensor Temperature Control

Professionally-Inspired Design

## Electrical Details

Amps	15
------	----

Volts	120
-------	-----

## Technical Details

Number of Oven Racks	2
----------------------	---

Temperature Range	90 - 250
-------------------	----------

## Dimensions

Product Dimensions (H x W x D)	10-1/4" x 29-3/4" x 26"
-----------------------------------	-------------------------------

Cutout Dimensions (H x W x D)	9-1/8" x 28-1/2" x 24"
----------------------------------	------------------------------

## Reference Material

[Dimension Guide](#)

[Install Guide](#)

[Use & Care Guide](#)

[Warranty](#)

## Key Features & Benefits

### Slow Cook Function

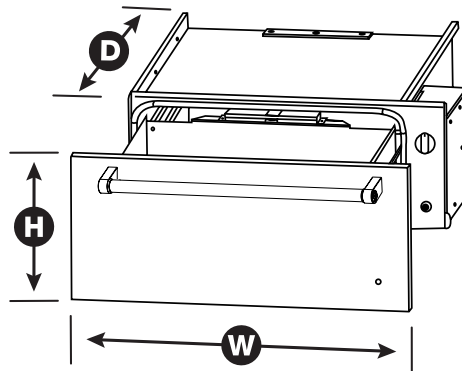
Adds versatility by allowing you to use the warming drawer in the same way you would use a countertop slow cooker.

### Bread Proofing

Operates at a consistently low temperature that prepares dough for baking by activating the yeast.

### Humidity Slide Control

Helps retain the flavor and texture of different foods by letting you control the amount of moisture inside the drawer.



NOTE: Dimensions are for planning purposes only. For complete details, see Installation Instructions packed with product. Specifications subject to change without notice.

®/™ © 2020. All rights reserved. Printed in the U.S.A. D200104XXE. KOWT100ESpecSheetV01.