



Stainless Steel  
KODT100ESS

### Capacity

Oven	10.0 cu. ft.
------	--------------

### General Features & Properties

5.0 Cu. Ft. Capacity (each oven)
----------------------------------

Even-Heat™ Preheat

Glass-Touch Display with Control Lock Function

Self-Cleaning Cycle

### Electrical Details

Amps	40
------	----

Volts	240
-------	-----

### Certifications

Star-K Certified/Kosher	Yes
-------------------------	-----

### Technical Details

Fuel Type	Electric
-----------	----------

Oven Type	Double
-----------	--------

Oven Cooking System	Thermal Both Ovens
---------------------	--------------------

Number of Oven Racks	2 Each Oven
----------------------	-------------

Cleaning Type	Adjustable Self-Cleaning
---------------	--------------------------

### Dimensions

Product Dimensions (H x W x D)	51-1/4" x 30" x 26-7/8"
--------------------------------	-------------------------

Depth with Door Open 90°	46-3/4"
--------------------------	---------

Cutout Dimensions (H x W x D)	50-1/4" x 28-1/2" x 24"
-------------------------------	-------------------------

### Reference Material

[Dimension Guide](#)

[Install Guide](#)

[Use & Care Guide](#)

[Warranty](#)

## Key Features & Benefits

### Even-Heat™ Ovens with Thermal Bake/Broil (both ovens)

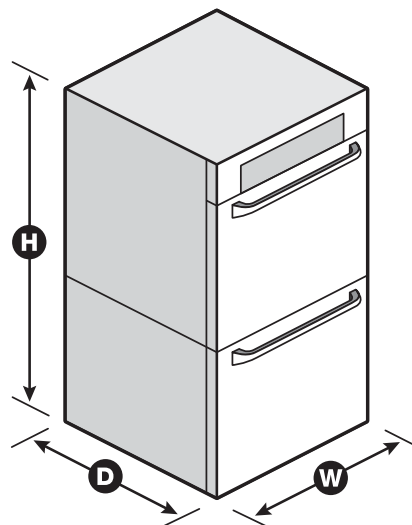
Delivers balanced baking and roasting by cycling the bake and broil elements to maintain temperatures. Even-Heat™ Preheat ensures the entire oven reaches the correct temperature to help remove cold spots.

### FIT System Guarantee

Allows for customization of wall oven installation to match the height of existing cabinets through flexible design elements.

### Professionally-Inspired Design

Combines a bold blend of professionally-inspired styling with sleek touches for the home. This beautiful built-in wall oven features Satin Textured Handles, Precision Touch Controls, a stunning Chrome Inlaid Frame, the KitchenAid® Badge and Brand Medallion.



NOTE: Dimensions are for planning purposes only. For complete details, see Installation Instructions packed with product. Specifications subject to change without notice.