



# 1.5 cu. ft. Countertop Microwave

## KMCC5015G



Stainless Steel  
KMCC5015GSS

### Capacity

Total 1.5 cu. ft.

### General Features & Properties

6 Quick-Touch Cycles Including Five Sensor Cycles

13 1/2" Recessed Turntable

1.5 Cu. Ft. Capacity

Accepts 30- or 27-Inch Trim Kit

Electronic Controls with LED Display

Color-Coordinated Stainless Steel Cabinet

### Electrical Details

Amps 15

Volts 120

### Technical Details

Microwave Type Countertop

Lighting Type Incandescent

### Dimensions

Product Dimensions (H x W x D)  
12-1/2" x 21-3/4" x 20-1/2"

### Reference Material

[Dimension Guide](#)

[Install Guide](#)

[Use & Care Guide](#)

[Warranty](#)

## Key Features & Benefits

### 1400-Watt Convection Element

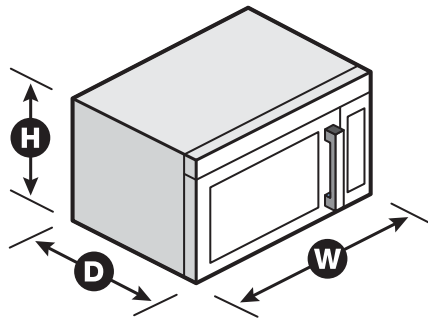
Circulates heat around the back of the oven to allow convection baking at temperatures up to 425°F.

### Roast Function

Helps maintain the balanced heat distribution required for exceptional roasting by alternating traditional microwave cooking with convection cooking to evenly surround food with heat.

### Grill Function

Delivers grilling results similar to a conventional oven. A rack that comes with the microwave heats during the grilling process to sear meats and lock in flavor.



NOTE: Dimensions are for planning purposes only. For complete details, see Installation Instructions packed with product. Specifications subject to change without notice.

®/™ © 2020. All rights reserved. Printed in the U.S.A. D200104XXE. KMCC5015GSpecSheetV01.