
INSTALLATION INSTRUCTIONS
UNDERCOUNTER DISHWASHER
STAINLESS STEEL TUB

LAVAVAJILLAS EMPOTRADA CON TINA
DE ACERO INOXIDABLE

INSTRUCTIONS D'INSTALLATION
LAVE-VAISSELLE ENCASTRÉ
AVEC CUVE EN ACIER INOXYDABLE

Table of Contents	2
Indice	25
Table des matières	50

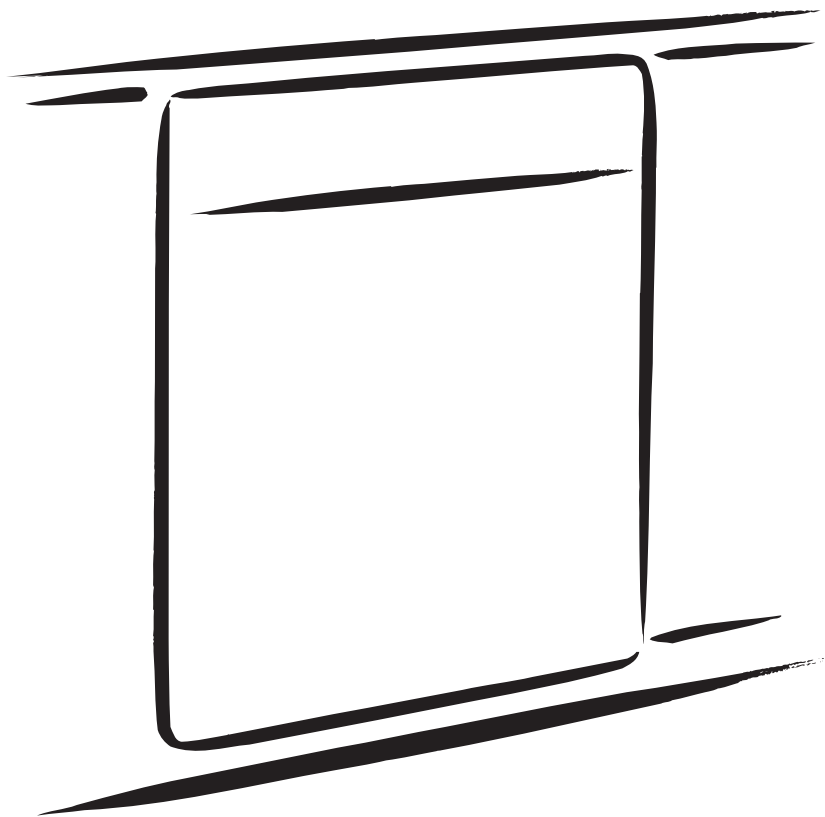


TABLE OF CONTENTS

DISHWASHER SAFETY	2	Make Power Cord Connection.....	13
INSTALLATION REQUIREMENTS	3	Determine Cabinet Opening.....	14
Tools and Parts.....	3	Install Door Handle.....	15
Location Requirements.....	4	Custom Panel Installation.....	16
Drain Requirements.....	6	Choose Attachment Option.....	16
Water Supply Requirements.....	6	Prepare Water Supply Line.....	17
Electrical Requirements.....	6	Move Dishwasher Close to Cabinet Opening.....	17
INSTALLATION INSTRUCTIONS	7	Connect to Water Supply.....	19
Prepare Cabinet Opening—		Connect to Drain.....	19
Existing Utilities.....	7	Make Direct Wire Electrical Connection.....	20
Prepare Cabinet Opening—New Utilities.....	7	Secure Dishwasher in Cabinet Opening.....	22
Prepare and Route Water Line.....	8	Complete Installation.....	23
Install Drain Hose.....	9	Check Operation.....	24
Install Optional Moisture Barrier.....	11	If Dishwasher Does Not Operate.....	24
Prepare Dishwasher.....	12	Additional Tips.....	24

DISHWASHER SAFETY

Your safety and the safety of others are very important.

We have provided many important safety messages in this manual and on your appliance. Always read and obey all safety messages.



This is the safety alert symbol.

This symbol alerts you to potential hazards that can kill or hurt you and others.

All safety messages will follow the safety alert symbol and either the word “DANGER” or “WARNING.”

These words mean:

⚠ DANGER

You can be killed or seriously injured if you don't immediately follow instructions.

⚠ WARNING

You can be killed or seriously injured if you don't follow instructions.

All safety messages will tell you what the potential hazard is, tell you how to reduce the chance of injury, and tell you what can happen if the instructions are not followed.

⚠ WARNING



Tip Over Hazard

Do not use dishwasher until completely installed.

Do not push down on open door.

Doing so can result in serious injury or cuts.

You Need to:

- Slowly open dishwasher door while someone grasps the rear of the dishwasher. Remove shipping materials and drain hose. Close dishwasher door until latched.

NOTE: Each dishwasher is tested at the factory and may contain some residual water in the tub as a result of the test.

- Observe all governing codes and ordinances.
- Install this dishwasher as specified in these instructions.
- Installation should be performed by a qualified service technician.
- The dishwasher must be installed to meet all electrical and plumbing national and local codes and ordinances.

Care shall be exercised when the appliance is installed or removed, to reduce the likelihood of damage to the power cord.

WARNING: To reduce the risk of electric shock, fire, or injury to persons, the installer must ensure that the dishwasher is completely enclosed at the time of installation.


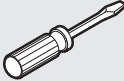
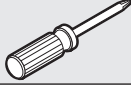
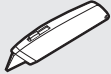
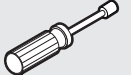
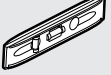



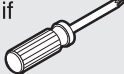
INSTALLATION REQUIREMENTS

Tools and Parts

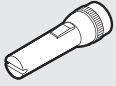
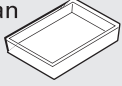


Gather the recommended tools and parts before starting installation. Read and follow the instructions provided with any tools listed here.

All Installations




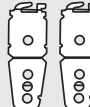

Tools Needed:

Pliers 	Flat-blade screwdriver 
Phillips screwdriver 	Utility knife 
5/16" and 1/4" nut drivers or hex sockets 	Small level 
Measuring tape or ruler 	5/8" open-end wrench 
10" adjustable wrench that opens to 1 1/8" (2.9 cm) 	Torx® T20® and, if installing custom front panels, Torx® T15® screwdrivers 

Other Useful Items You May Need:


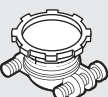

Flashlight 	Shallow pan 	Bath towel 	Masking or duct tape 
--	---	--	--

Parts Supplied:

Drain hose clamps (2) (1 large/red and 1 small/green) 	Drain hose 	#10 x 1/2" Phillips-head screws (2) 	Undercounter mounting brackets (2) 	Door handle (on some models) 
---	--	---	--	--

Make sure all these parts are included in the literature package. If parts are not included, call 1-800-422-1230. In Canada, call 1-800-807-6777.

Other Parts Needed: (not provided)

3/8" Compression x 3/4" Hose Fitting with rubber seal and 90° elbow (required to properly connect household water line to the dishwasher)  (Whirlpool Part Number W10685193)	Household Wiring (Metallic) Strain Relief to fit 7/8" (2.2 cm) hole (required to properly secure household wiring to the dishwasher terminal box) NOTE: Use only UL Listed/CSA Approved part  (Whirlpool Part Number 4396672)	Twist-on Wire Connectors NOTE: Confirm proper size for connecting your gauge of household wiring to the 16-gauge wiring in the dishwasher NOTE: Use only UL Listed/CSA Approved parts. 
Call Whirlpool Parts: 1-800-442-9991, for Part Number above; or see local electrical/plumbing supply retailer for equivalent.		



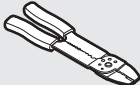
Optional Accessory Parts Available:

Moisture Barrier Tape NOTE: Moisture barrier tape is an optional, added level of protection if installing a dishwasher under a wooden countertop. (Whirlpool Part Number 4396277) 	Side Panel Kit For enclosing the side of the dishwasher when installing it at the end of your cabinetry. (Whirlpool Part Number varies with color) 
Call Whirlpool Parts: 1-800-442-9991, for Part Number above.	




First-time Installations:

Check local codes. Check existing electrical supply. See the "Electrical Requirements" section. It is recommended that electrical connections be made by a licensed electrical installer.





Additional Tools Needed:

Cordless drill with 1/2", 3/4" and 1 1/2" hole saw bits 	Small tubing cutter 	Wire stripper 
---	---	---

Additional Parts Needed (not provided)

Copper tubing (3/8" O.D. suggested) or Flexible Braided Water Supply Line Kit (Whirlpool Part Number W10278635RP). Kit includes Braided Hose and 3/8" Compression x 3/4" Hose Fitting 	Screw-Type Clamps 1 1/2" - 2" (3.81 - 5 cm) (3 maximum) 	Optional-Longer Drain Hose Maximum length: 12 ft (3.7 m) NOTE: Must meet AHAM/IAPMO test standards, fit 1" (2.5 cm) drain connection, and be resistant to heat and detergent. (Whirlpool Part Number 3385556) 
Call Whirlpool Parts: 1-800-442-9991, for Part Number above, or see local plumbing supply retailer for equivalent.		

NOTE: If using a flexible braided hose, replace inlet hose after 5 years to reduce the risk of hose failure. Record hose installation or replacement dates on the hose for future reference.

For Direct Wire 	For Power Cord 
Cabinet Grommet For 1 1/2" (3.8 cm) hole in cabinet.  (Whirlpool Part Number 302797)	Power Cord Kit Kit typically includes power cord, metallic strain relief, grommet, and twist-on wire connectors.  NOTE: Required for metal cabinets. (Whirlpool Part Number 4317824)
Call Whirlpool Parts: 1-800-442-9991, for Part Number above; or see local electrical supply retailer for equivalent.	

†TORX, T15, and T20 are registered trademarks of Acument Intellectual Properties, LLC.

Location Requirements

Dishwasher must be fully enclosed (top, sides, back, and floor) upon installation. A side panel kit is available from your dealer for installing your dishwasher at the end of your cabinetry.

An optional moisture barrier accessory is also available for installing underneath a wooden countertop. See the "Tools and Parts" section at the front of the guide for part details and orders.

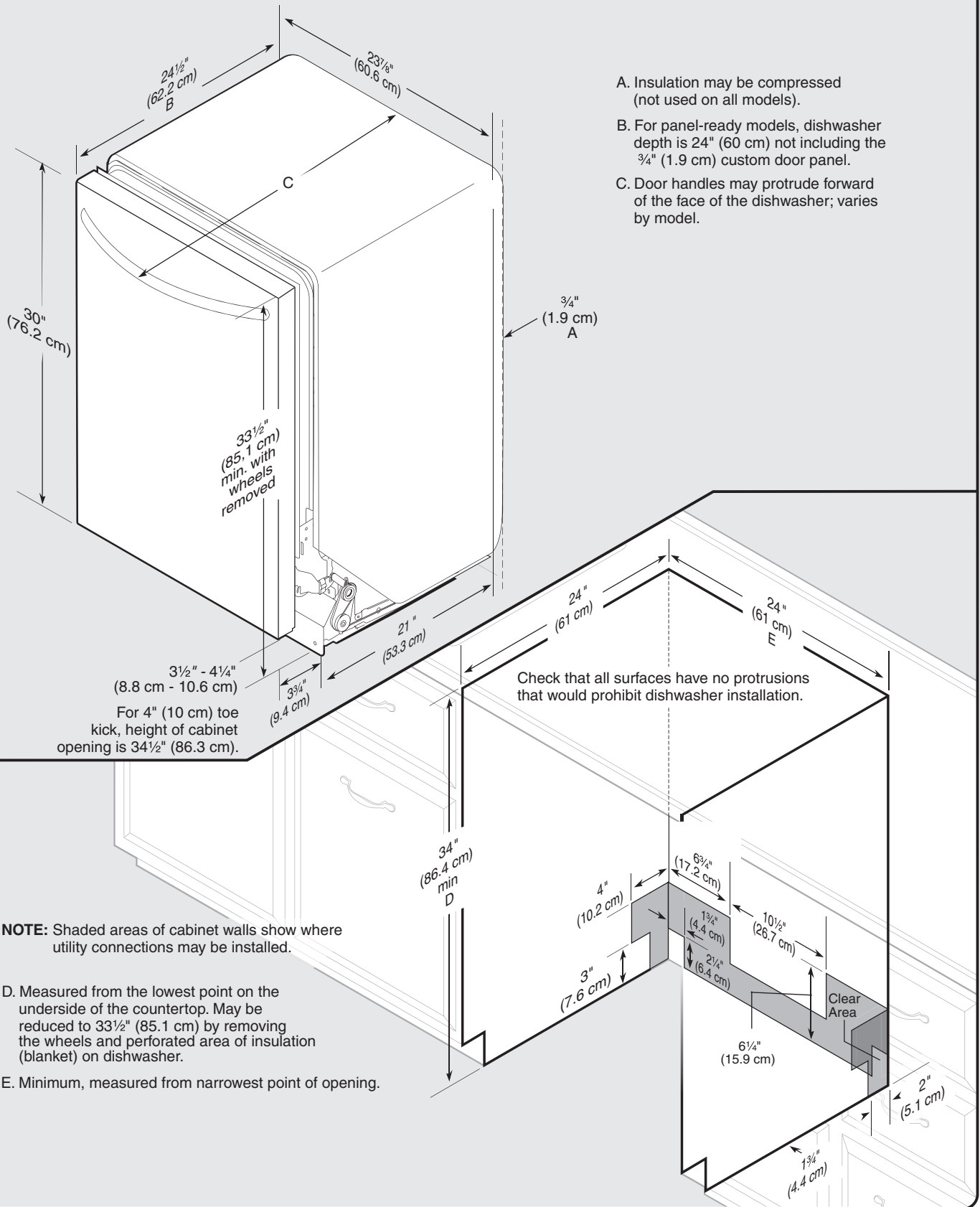
Check location where dishwasher will be installed. The location must provide:

- Convenient access for loading and unloading dishes. Corner locations require a 2" (5.1 cm) minimum clearance between the side of the dishwasher door and the wall or cabinet.
- Easy access to water, electricity and drain.
 - Grounded electrical supply required.
 - Make sure pipes, wires and drain hose are within the shaded area shown in the "Product and Cabinet Opening Dimensions" section.
 - Do not run drain lines, water lines or electrical wiring where they can interfere with or contact dishwasher motor or legs.
 - Shelter dishwasher and water lines leading to dishwasher against freezing. Damage from freezing is not covered by the warranty.

NOTE: If dishwasher will be left unused for a period of time or in a location where it may be subject to freezing, have it winterized by authorized service personnel.

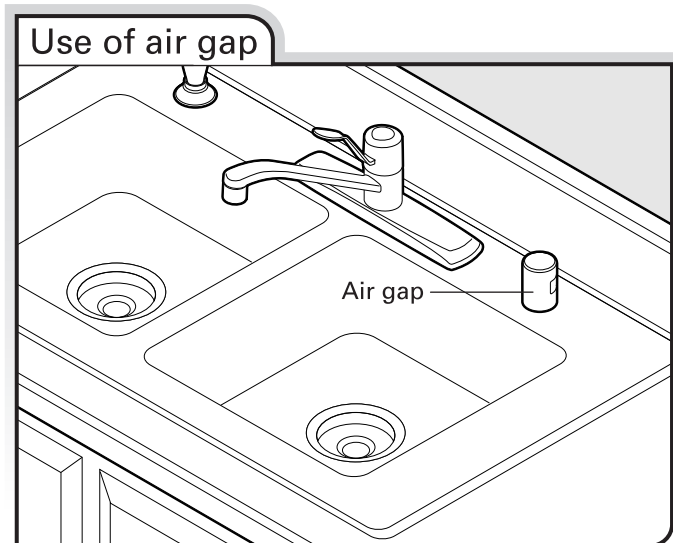
- A square opening for proper operation and appearance.
- The cabinet front to be perpendicular to floor.
- A level floor.
Helpful Hint: If floor at front of opening is not level with floor at rear of opening, shims may be used to level dishwasher.
NOTE: To avoid shifting during dishwasher operation, shims must be securely attached to the floor.
- The location where the dishwasher will be installed must provide clearance between motor and flooring. Motor should not touch the floor.
- Do not install dishwasher over carpeted flooring.

Product and Cabinet Opening Dimensions



Drain Requirements

- A new drain hose is supplied with your dishwasher. If drain hose is not long enough, use a new drain hose with a maximum length of 12 ft (3.7 m) that meets all current AHAM/ IAPMO test standards, is resistant to heat and detergent, and fits the 1" (2.5 cm) drain connector of the dishwasher. See the "Tools and Parts" section at the front of the guide for part details and orders.
- Make sure to connect drain hose to waste tee or disposer inlet above drain trap in house plumbing and 20" (50.8 cm) minimum above the floor. It is recommended that the drain hose either be looped up and securely fastened to the underside of the counter, or be connected to an air gap.



- Make sure to use an air gap if the drain hose is connected to house plumbing lower than 20" (50.8 cm) above sub floor or floor.
- If required, the air gap should be installed in accordance with the air gap installation instructions. When you are connecting the air gap, a rubber hose (not provided) will be needed to connect to the waste tee or disposer inlet.
- Use ½" minimum I.D. drain line fittings

Water Supply Requirements

- A hot water line with 20 to 120 psi (138 to 862 kPa) water pressure can be verified by a licensed plumber.
- 120°F (49°C) water at dishwasher.
- ⅜" O.D. copper tubing with compression fitting or flexible braided water supply line. See the "Tools and Parts" section at the front of the guide for part details and orders.
NOTE: ½" minimum plastic tubing is not recommended.
- A 90° elbow with ¾" hose connection with rubber washer. See the "Tools and Parts" section at the front of the guide for part details and orders.
- Do not solder within 6" (15.2 cm) of the water inlet valve.

Electrical Requirements

Be sure that the electrical connection and wire size are adequate and in conformance with the National Electrical Code, ANSI/NFPA 70 - latest edition and all local codes and ordinances.

A copy of the above code standards can be obtained from:

National Fire Protection Association
1 Batterymarch Park
Quincy, MA 02169-7471

You Must Have:

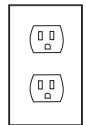
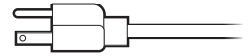
- 120-volt, 60 Hz, AC-only, 15- or 20-amp, fused electrical supply.
- Copper wire only.
- A maximum of two field wiring supply conductors (12 AWG largest size) plus one grounding conductor are permitted in the terminal box.

We Recommend:

- A time-delay fuse or circuit breaker.
- A separate circuit.

If Connecting Dishwasher With A Power Cord:

- Use UL Listed power cord kit marked for use with dishwasher. See the "Tools and Parts" section at the front of the guide for part details and orders.
- Power cord must plug into a grounded 3 prong outlet, located in the cabinet next to the dishwasher opening. Outlet must meet all local codes and ordinances.



If Connecting Dishwasher With Direct Wiring:

- Use flexible, armored or nonmetallic sheathed, copper wire with grounding wire that meets the wiring requirements for your home and local codes and ordinances.
- Use a UL Listed/CSA Approved metallic strain relief. See the "Tools and Parts" section at the front of the guide for part details and orders.



INSTALLATION INSTRUCTIONS

⚠ WARNING



Electrical Shock Hazard

Disconnect electrical power at the fuse box or circuit breaker box before installing dishwasher.

Failure to do so can result in death or electrical shock.

1 Disconnect power

Disconnect electrical power at the fuse box or circuit breaker box before installing dishwasher.

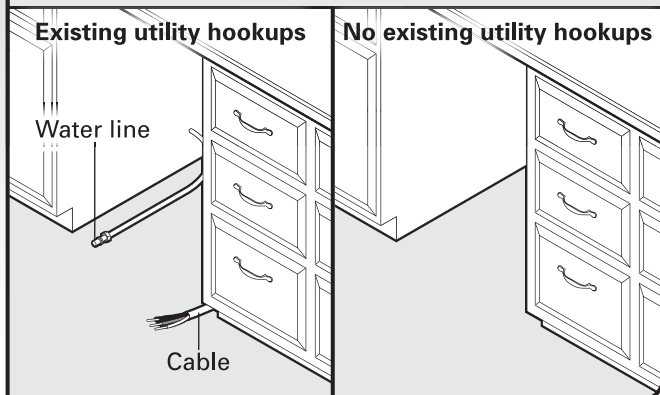
2 Shut off water supply

Shut off the water supply to the dishwasher.

3 Do you already have utility hookups?

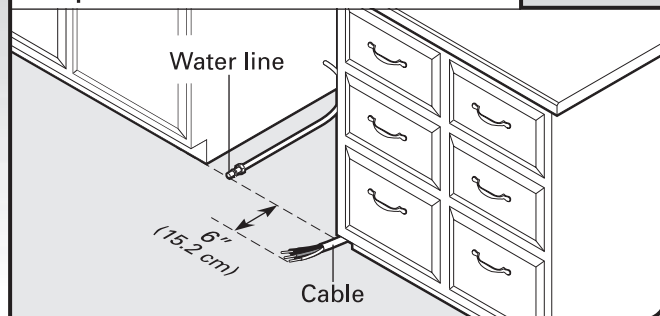
Yes —Follow instructions in the “Prepare Cabinet Opening—Existing Utilities” section.

No —Follow instructions in the “Prepare Cabinet Opening—New Utilities” section.



Prepare Cabinet Opening—Existing Utilities

1 Check water and electrical placement



When removing a previous dishwasher, be sure to avoid damaging the existing power cord, drain line, and water line connected to the dishwasher.

If the water line and the cable extend to the locations shown, proceed to the “Install Drain Hose” section. If they do not reach far enough, follow the instructions in the “Prepare Cabinet Opening—New Utilities” section.

Prepare Cabinet Opening—New Utilities

Prepare And Route The Electrical Supply

What type of electrical connection will you use?

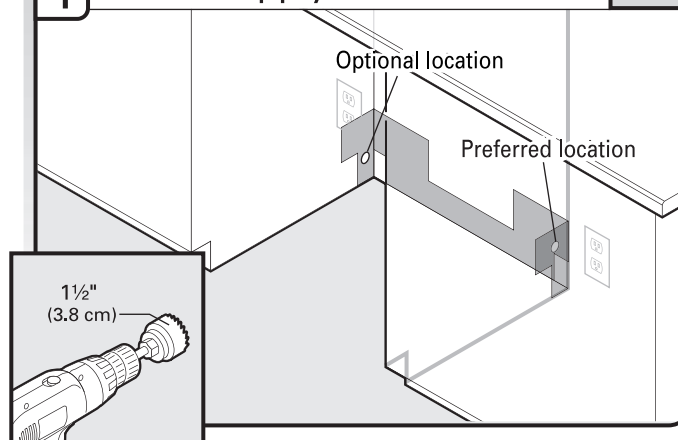
 Power Cord:
Follow Option A instructions

 Direct Wire:
Follow Option B instructions

Option A, Power Cord:

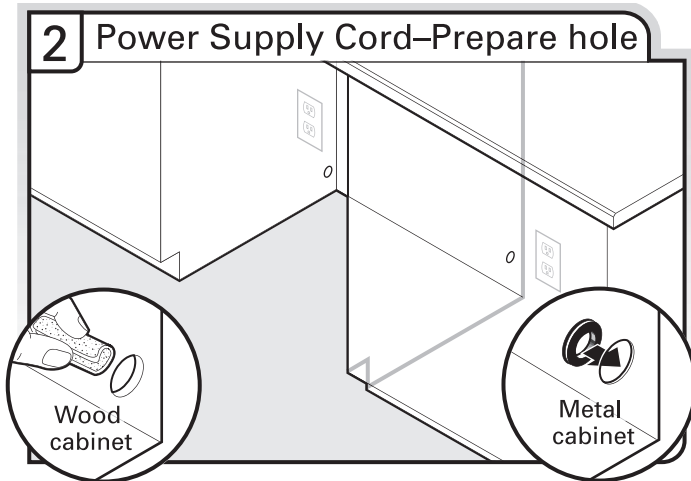
NOTE: A grounded 3 prong outlet is required inside a cabinet next to the dishwasher cabinet opening.

1 Power Supply Cord—Drill hole



Drill a 1½" (3.8 cm) hole in cabinet side or rear. See the “Product and Cabinet Opening Dimensions” section.

2 Power Supply Cord—Prepare hole



Wood cabinet: Sand the hole until smooth.

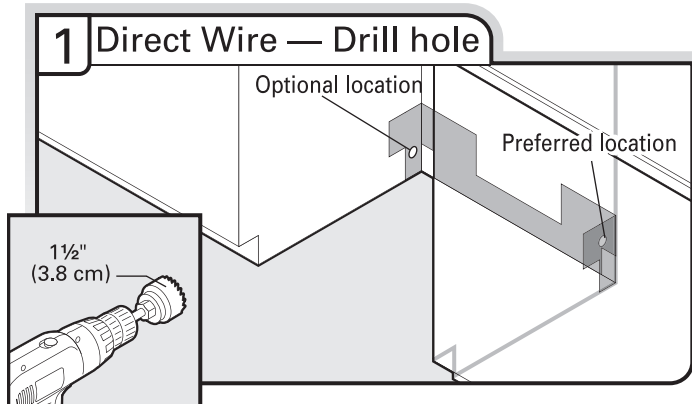
Metal cabinet: Cover edges of hole with grommet included with power cord kit.

See the “Tools and Parts” section at the front of the guide for part details.

Option B, Direct Wire

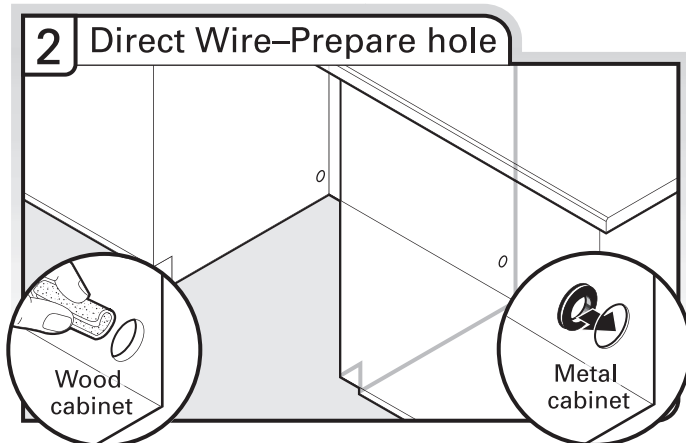
Helpful Tip: Wiring the dishwasher will be easier if you route the cable into the cabinet opening from the right-hand side.

1 Direct Wire — Drill hole



Drill a 1½" (3.8 cm) hole in right-hand cabinet side or rear. See the “Product and Cabinet Opening Dimensions” section.

2 Direct Wire—Prepare hole

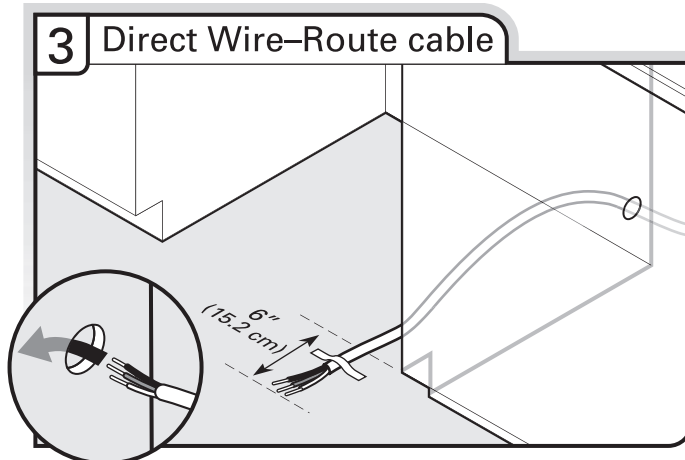


Wood cabinet: Sand the hole until smooth.

Metal cabinet: Cover edges of hole with a grommet.

See the “Tools and Parts” section at the front of the guide for part details.

3 Direct Wire—Route cable

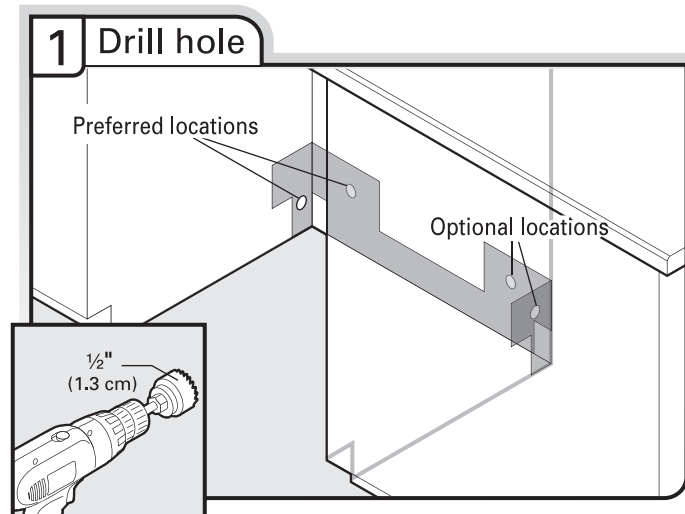


Route cable from power supply through cabinet hole (cable must extend to the right front side of cabinet opening). Tape cable to the floor in area shown. This will prohibit cable from moving when dishwasher is moved into cabinet opening.

Prepare and Route Water Line

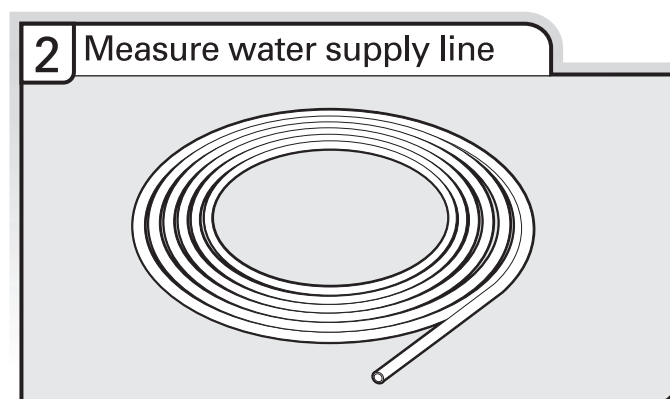
Helpful Tip: Routing the water line through the left-hand side of cabinet opening will make water connection easier.

1 Drill hole



Drill a ½" (1.3 cm) hole in the cabinet side or rear.

2 Measure water supply line

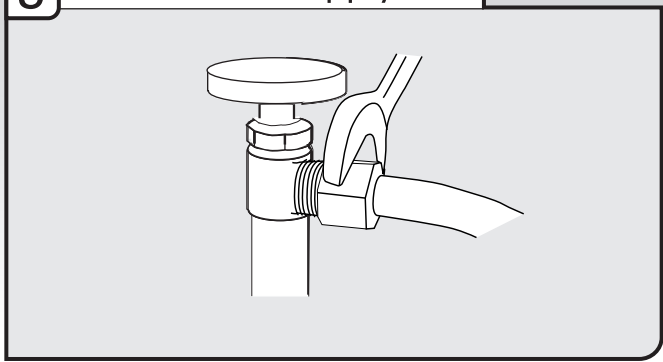


If using copper tubing, measure overall length of copper tubing required to reach the water supply, cut to length and attach compression fittings.

If using flexible braided line, confirm braided line is of adequate length. See the “Tools and Parts” section at the front of the guide for part details and orders.

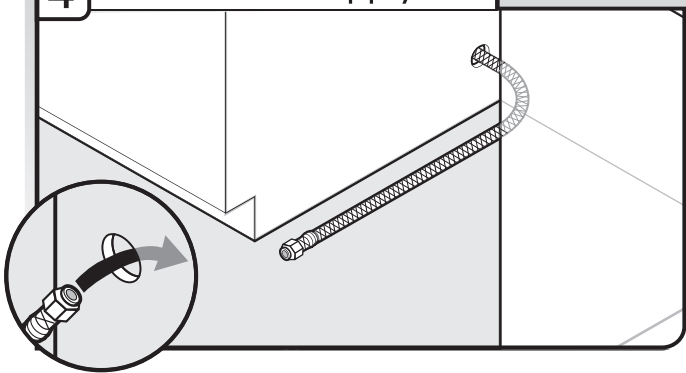
NOTE: If using a flexible braided hose, replace inlet hose after 5 years to reduce the risk of hose failure. Record hose installation or replacement dates on the hose for future reference.

3 Attach water supply line



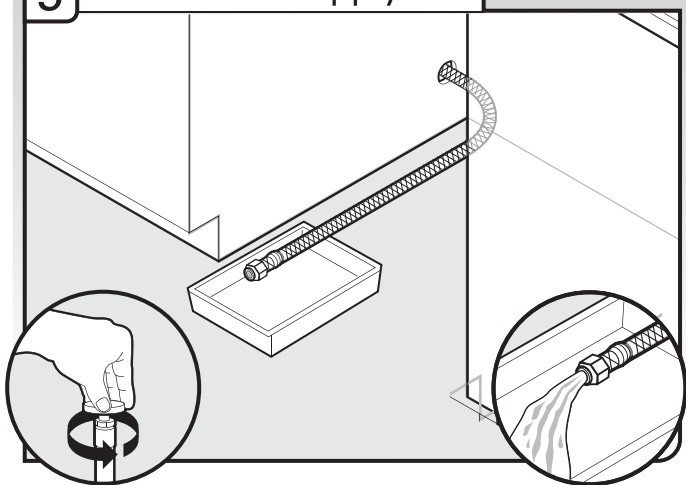
Attach the water supply line (copper tubing or flexible braided line) to the hot water line using a connection configuration that is in compliance with local codes and ordinances. The water supply to the dishwasher should have a manual shutoff valve located under the sink.

4 Route water supply line



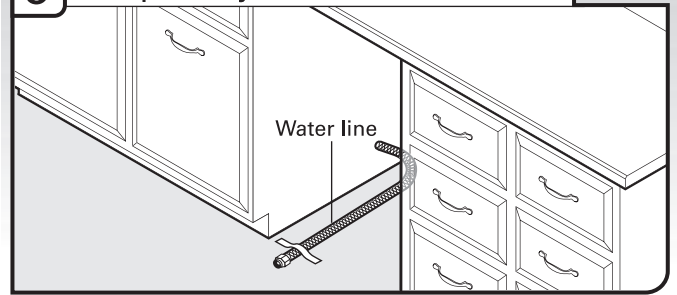
Slowly route water supply line through hole in cabinet. (If you are using copper tubing, it will bend and kink easily, so be gentle.) It should be far enough into the cabinet opening to connect it to the dishwasher inlet on the front left side of the dishwasher.

5 Flush water supply line



Slowly turn water shutoff valve to "ON" position. Flush water into a shallow pan until clear to get rid of particles that could clog the inlet valve. Turn shutoff valve to "OFF" position.

6 Temporarily secure water line

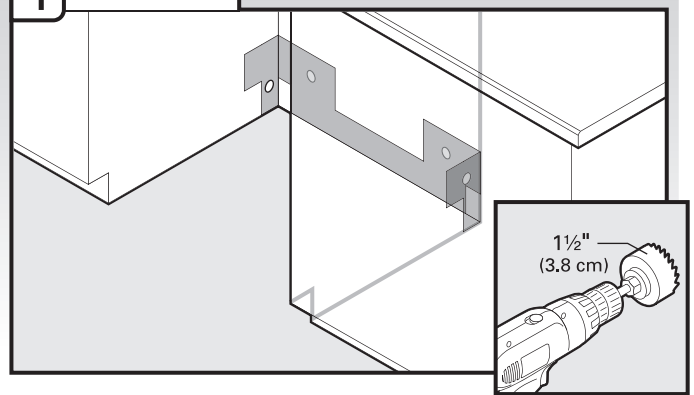


Route water line and tape it to the floor in area shown. This will keep it from moving when dishwasher is moved into cabinet opening.

Install Drain Hose

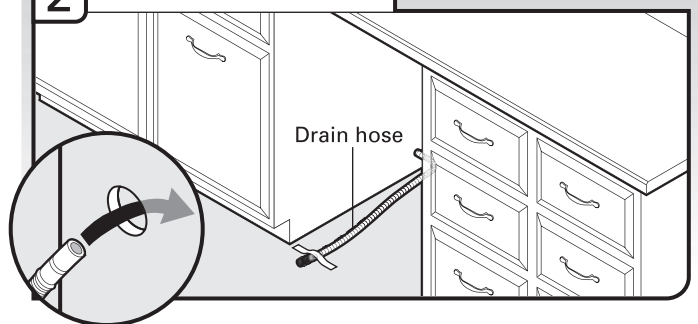
IMPORTANT: Always use a new drain hose. Check local codes to determine whether an air gap is required.

1 Drill hole



If needed, drill a 1 1/2" (3.8 cm) diameter hole in cabinet wall or side of the opening closest to the sink.

2 Route drain hose



Route drain hose, as shown, through hole in cabinet to the front center of opening where drain connection will be made. Tape drain hose to the floor in area shown. This will prohibit it from moving when dishwasher is moved into cabinet opening.

3 Connect drain hose

Connect drain hose to waste tee or waste disposer using one of the following options:

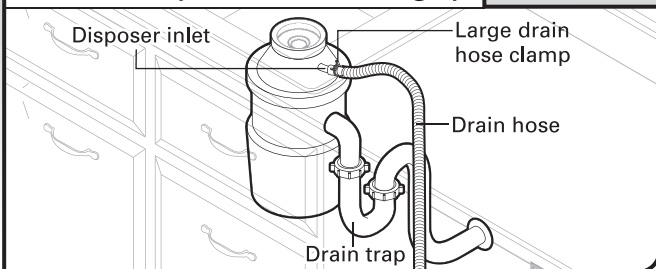
- Option A, Waste disposer – no air gap
- Option B, No waste disposer – no air gap
- Option C, Waste disposer – with air gap
- Option D, No waste disposer – with air gap

IMPORTANT: The drain hose connection of the disposer or a waste tee must be made before the drain trap and at least 20" (50.8 cm) above the floor where the dishwasher will be installed.

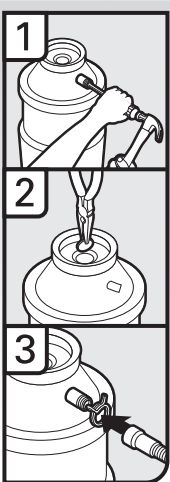
Helpful Tip: To reduce vibration of the hose, keep the hose away from the floor.

Option A, Waste Disposer – No Air Gap

Waste disposer – no air gap



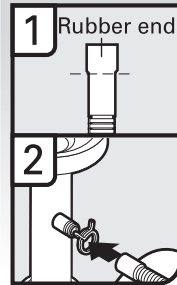
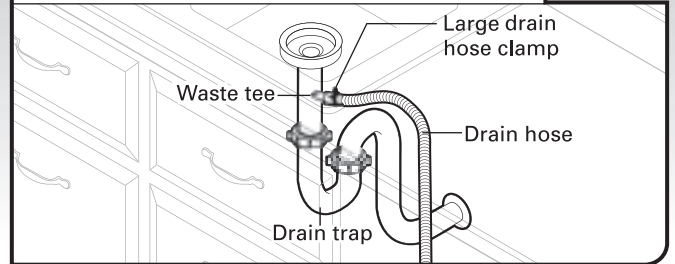
Helpful Tip: Remove disposer knockout plug.



1. Using a hammer and screwdriver, knock plug into disposer.
2. Use needle-nose pliers to remove plug.
3. Attach drain hose to disposer inlet with large drain hose clamp (provided). Use pliers to squeeze clamp open and move into position.

Option B, No Waste Disposer – No Air Gap

No waste disposer – no air gap



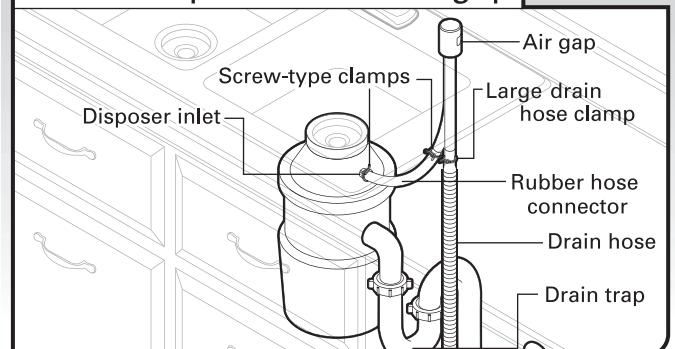
1. Fit rubber end of drain hose to waste tee and cut if needed.

NOTE: Do not cut ribbed section.

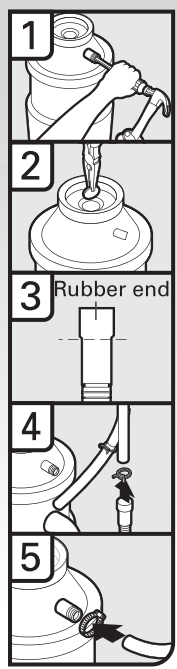
2. Attach rubber end of drain hose to waste tee with a large drain hose clamp (provided). Use pliers to squeeze clamp open and move into position. If the drain hose was cut, use a 1½" to 2" (3.8 to 5 cm) screw-type clamp (not provided).

Option C, Waste Disposer – With Air Gap

Waste disposer – with air gap

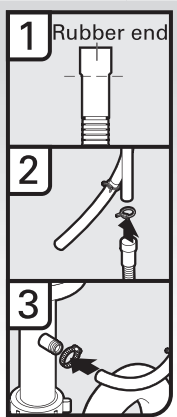
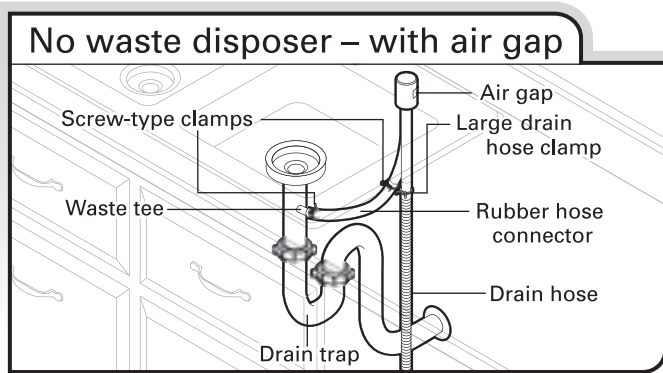


Helpful Tip: Remove disposer knockout plug.



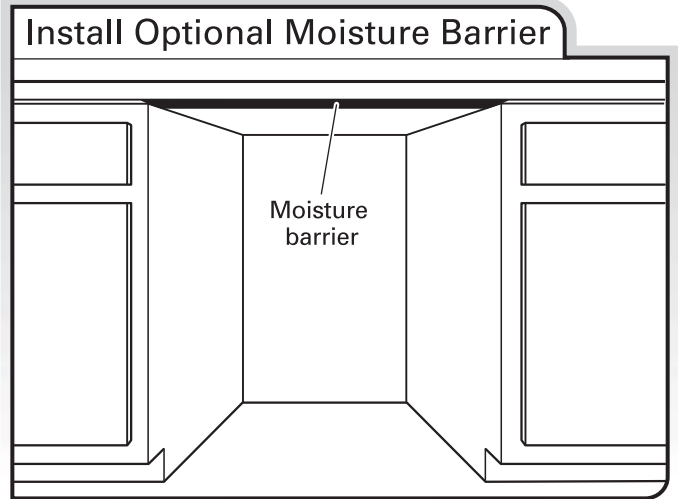
1. Using a hammer and screwdriver, knock plug into disposer.
2. Use needle-nose pliers to remove plug.
3. Connect rubber end of drain hose to air gap and cut if needed.
NOTE: Do not cut ribbed section.
4. Attach drain hose to air gap with large drain hose clamp (provided). Use pliers to squeeze clamp open and move into position. If the drain hose was cut, use a 1½" to 2" (3.8 to 5 cm) screw-type clamp (not provided).
5. Use a rubber hose (not provided) with screw-type clamps (not provided) to connect from air gap to disposer inlet.

Option D, No Waste Disposer – With Air Gap



1. Connect rubber end of drain hose to air gap and cut if needed.
NOTE: Do not cut ribbed section.
2. Attach drain hose to air gap with large drain hose clamp (provided). Use pliers to squeeze clamp open and move into position. If the drain hose was cut, use a 1½" to 2" (3.8 to 5 cm) screw-type clamp (not provided).
3. Use a rubber hose (not provided) with screw-type clamps (not provided) to connect from waste tee to air gap.

Install Optional Moisture Barrier



See the "Tools and Parts" section at the front of the guide for part details and orders.

1. Make sure the area under the cabinet is clean and dry for installation of the moisture barrier.
2. Remove the backing of the moisture barrier and apply to underside of the countertop along the front edge of the counter.

Prepare Dishwasher

⚠ WARNING



Tip Over Hazard

Do not use dishwasher until completely installed.

Do not push down on open door.

Doing so can result in serious injury or cuts.

⚠ WARNING

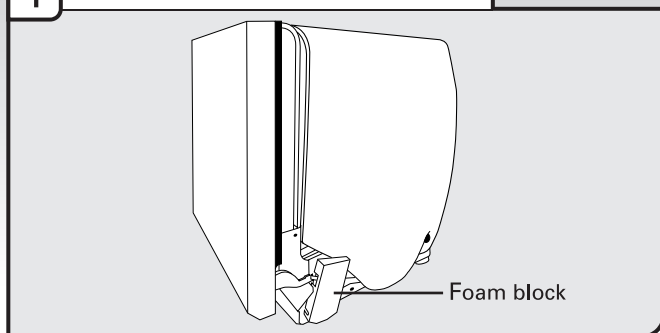
Excessive Weight Hazard

Use two or more people to move and install dishwasher.

Failure to do so can result in back or other injury.

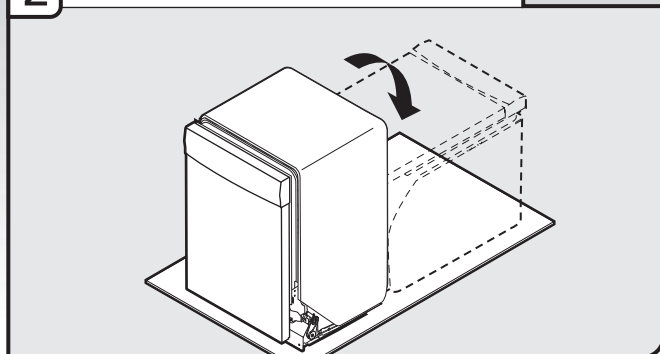
Helpful Tip: Place cardboard under dishwasher until installed in cabinet opening to avoid damaging floor covering.

1 Remove foam block



Remove and discard the foam blocks (if blocks are present, not all models have them) located above the front legs on each side of the dishwasher. The blocks cover the rope/link pulleys on the dishwasher.

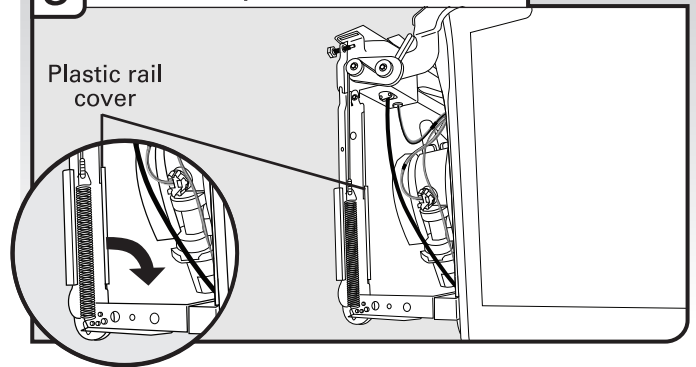
2 Put dishwasher on its back



Using 2 or more people, grasp sides of dishwasher door frame and place dishwasher on its back.

Do not use door panel as a worktable without first covering with a towel to avoid scratching the door panel.

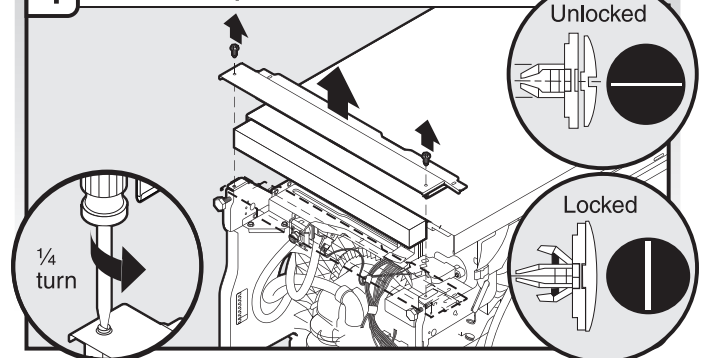
3 Remove plastic rail cover



Remove and discard the plastic rail cover on each side of the dishwasher frame. To remove the plastic rail cover, push upward and back to unsnap it from the dishwasher frame.

Option A, Remove Access Panel - Plastic Panel

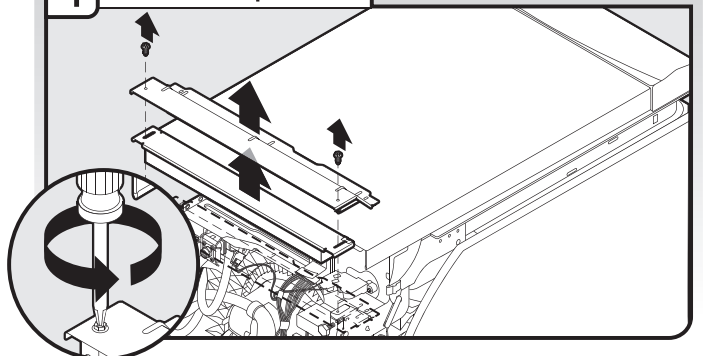
4 Remove panel and fasteners



Using a flat-blade screwdriver, turn the plastic fasteners $\frac{1}{4}$ turn counterclockwise to unlock them. Remove panel. Do not remove tech sheet from access panel.

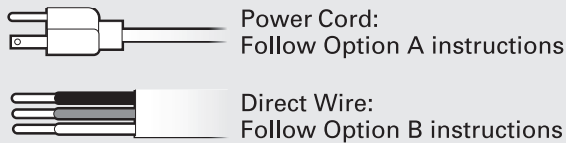
Option B, Remove Access Panel - Metal Panel

4 Remove panels



Using a $\frac{1}{4}$ " nut driver or Phillips screwdriver, remove 2 screws attaching access panel and lower panel to dishwasher. Do not remove tech sheet from access panel.

What type of electrical connection will you use?

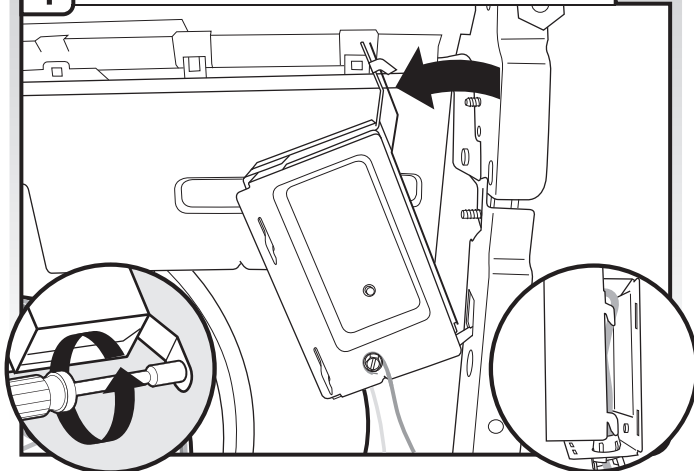


NOTE: If using Option B, proceed to “Determine Cabinet Opening,” to continue with more of the installation of your dishwasher before making the direct wire connection.

Make Power Cord Connection

Option A, Power Cord

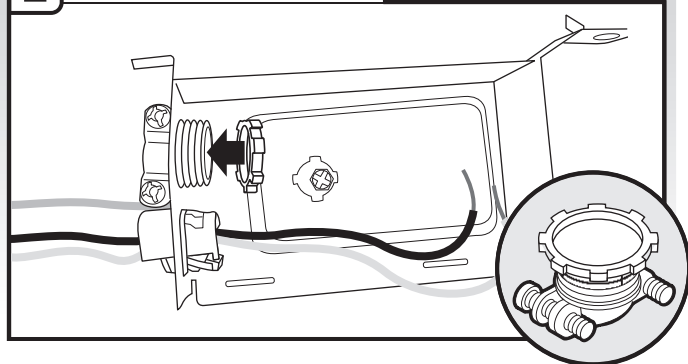
1 Remove terminal box and cover



Do not disconnect the green, black, or white dishwasher wires already attached to the terminal box. There should be adequate length in these wires to pull the terminal box out from under the dishwasher if you lift the wires off of the nearby clips or components being used to keep them off the floor.

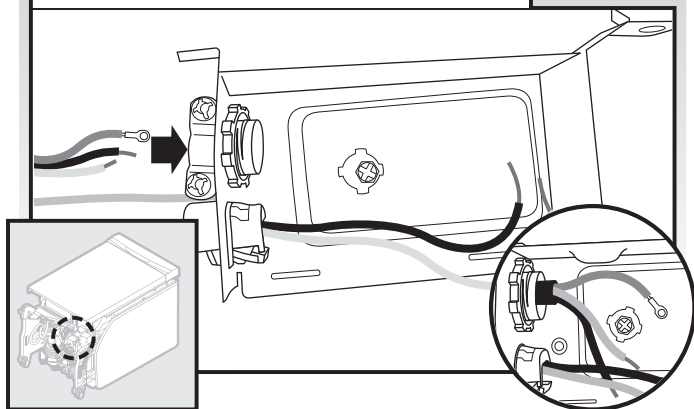
Use a 1/4" nut driver or 1/4" hex-head socket wrench to remove the screw that holds the terminal box to the cross brace. Then, tilt the terminal box, free the tab and lift the terminal box away from the crossbar. Remove the cover by sliding it up and lifting its hooks out of the slots. Retain cover for later use.

2 Install strain relief



Install a UL Listed/CSA Approved metallic strain relief. Make sure screw heads are facing up when tightening conduit nut. Strain relief is provided with the power cord kit. See the “Tools and Parts” section at the front of the guide for part details and orders.

3 Power Cord—Route cord into terminal box



Route cord so that it does not touch dishwasher motor or lower part of dishwasher tub. Pull cord through strain relief in terminal box.

Note: A maximum of two power cord supply conductors (12 AWG largest size) plus one grounding conductor are permitted in the terminal box

⚠ WARNING



Electrical Shock Hazard

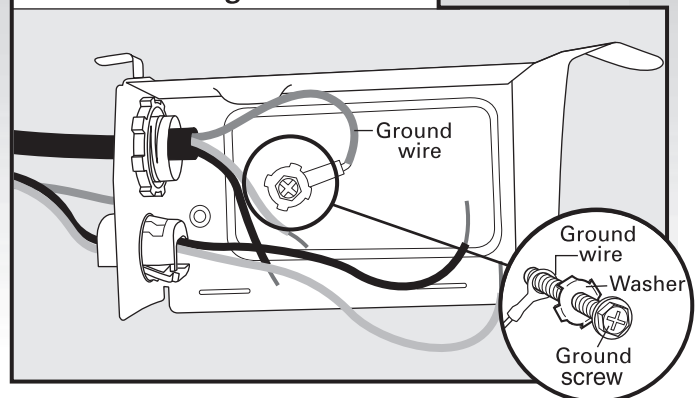
Electrically ground dishwasher.

Connect ground wire to green ground connector in terminal box.

Do not use an extension cord.

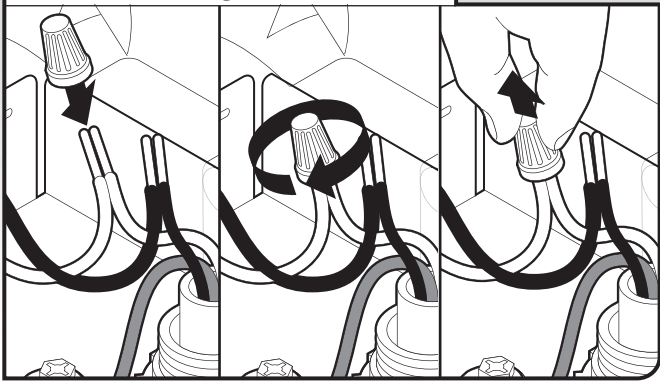
Failure to follow these instructions can result in death, fire, or electrical shock.

4 Power Cord—Connect ground wire



Remove the ground connector screw on the raised floor inside the box and place it through the ring terminal of the green ground wire of power cord. Reattach and tighten the ground connector screw to the raised floor of the box.

5 Power Cord—Connect remaining wires



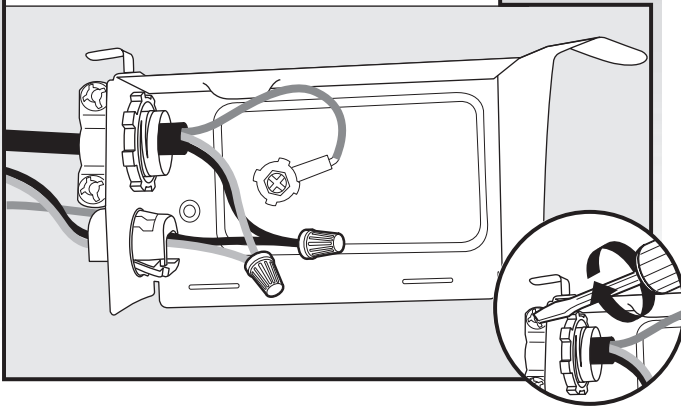
Select UL Listed/CSA Approved twist-on wire connectors of the proper size. See the “Tools and Parts” section at the front of the guide for part details. Connect wires, black to black and white to white, using the twist-on wire connectors.

NOTE: Do not pre-twist stranded wire. Twist on wire connector. Gently tug on wires to be sure both are secured.

Wiring configuration

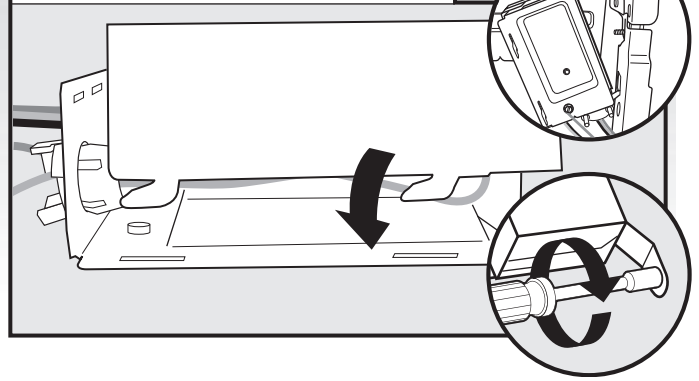
Power supply wire:		Terminal box wire:
white	↔	white
black	↔	black
ground wire	↔	ground connector

6 Power Cord—Secure cord on strain relief



Tighten strain relief screws to secure cord.

7 Power Cord—Reinstall terminal box cover



Place wires inside terminal box. Replace the cover by inserting the hooks of the terminal cover into the slots in the floor of the terminal box and sliding the cover tight against the back wall where wires come in. Make sure wires are tucked inside the box and not pinched by the cover.

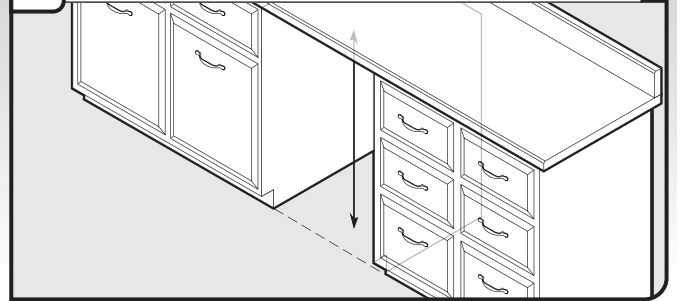
Then, put the terminal box back on the crossbar with the tab in place. Use a 1/4" nut driver and the previously removed screw to secure the terminal box to the crossbar.

NOTE: Do not plug into outlet until instructed to do so.

Once the terminal box has been remounted on the dishwasher, there should be some excess length or slack in the green, black, and white wires coming from the dishwasher to the terminal box. Wrap these wires over the nearby clips or clip them back into the nearby clips that they were routed through prior to your removing the box, to help keep them off the floor.

Determine Cabinet Opening

1 Measure cabinet opening

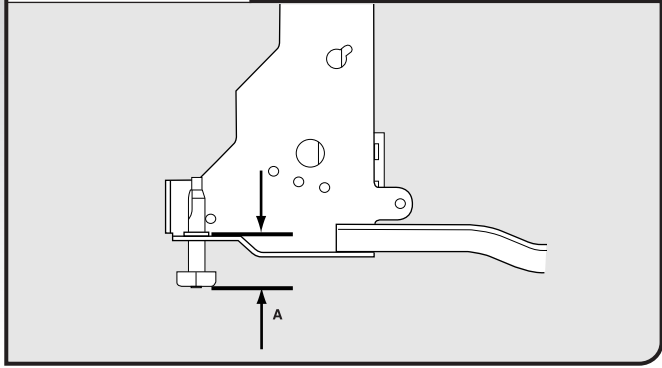


Measure height of cabinet opening from underside of countertop to floor where dishwasher will be installed (you will need to measure the lowest point on the underside of the countertop and the highest point on the floor). Refer to “Dishwasher Height Adjustment Chart” for wheel position and for wheel position and height of front legs needed for your cabinet opening height.

Dishwasher Height Adjustment Chart

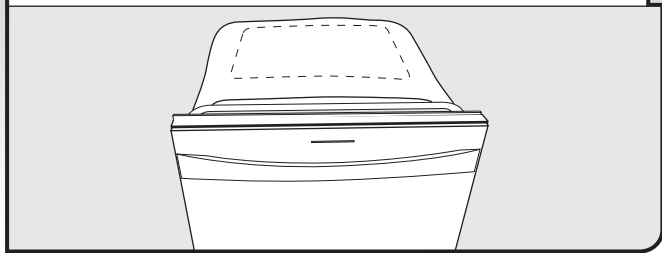
Cabinet opening height	Front legs height	Wheel position	Insulation blanket
33½" (85.1 mm)	3/8" (9.8 mm)	Removed	Cut
34" (86.4 cm)	7/8" (22 mm)	1	No cut
34¼" (87.0 cm)	1" (25 mm)	2	No cut
34½" (87.6 cm)	1 1/8" (28.8 mm)	3	No cut

Front legs - A



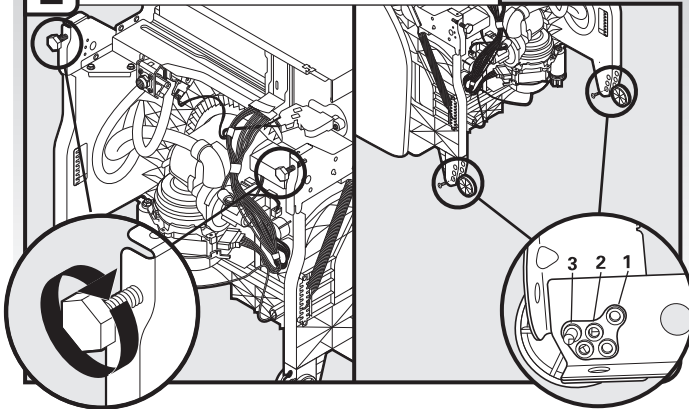
NOTE: If the minimum cabinet opening height is less than 34" (86.4 cm), the rear wheels can be removed for additional clearance. This will allow the dishwasher and perforated section of the insulation blanket to fit into a 33½" (85.1 cm) high cabinet opening, but the dishwasher will be more difficult to move. Measurements are approximate. Wheels and legs are preset at the factory for 34½" (87.6 cm).

Cut insulation blanket along perforation



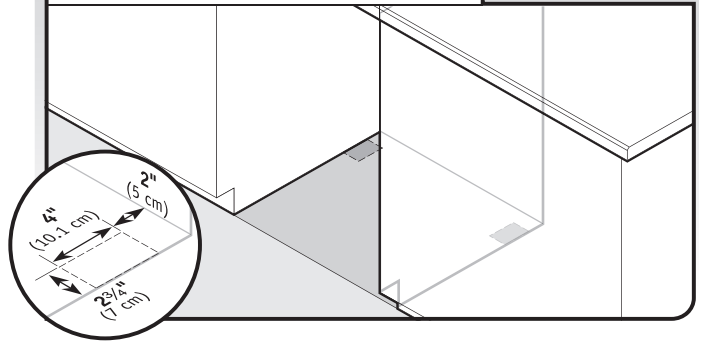
Cut insulation blanket along perforation for cabinet opening height of 33½" (85.1 cm). For other cabinet opening heights, do not cut.

2 Adjust wheels and legs



Turn both leveler legs to the same height. Put wheels in the required position determined from "Dishwasher Height Adjustment Chart."

3 Built-up Floors—Add shims as needed



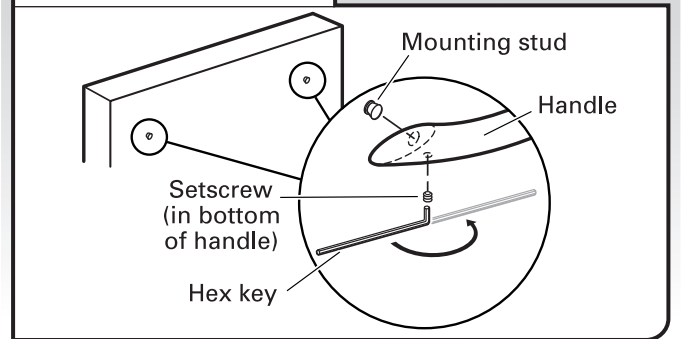
Built-up floors: If the kitchen floor is higher than the cabinet opening's floor - for example, the kitchen floor tile does not extend into the cabinet opening - add shims as needed in the area shown to bring the dishwasher up to 34" (86.4 cm) below the countertop.

NOTE: Shims must be securely attached to floor to avoid movement when the dishwasher is in use.

Install Door Handle

(on some models)

Install door handle



IMPORTANT: Do not scratch the front panel during this procedure.

Remove the door handle and hardware bag containing the setscrews and hex key from the cardboard box. Setscrews are already installed in the handle. Place handle on mounting studs with the setscrews facing down. Push the door handle tightly against the door. Insert the short end of the hex key into the setscrews. Tighten the setscrews ¼ turn past snug.

Retain hex key with Installation Instructions.

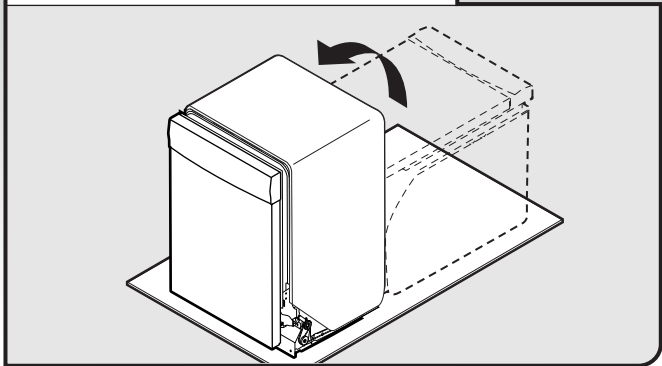
⚠ WARNING

Excessive Weight Hazard

Use two or more people to move and install dishwasher.

Failure to do so can result in back or other injury.

Stand dishwasher upright



Using 2 or more people, stand the dishwasher up.

NOTE: Do not install kick plate until instructed to do so.

Custom Panel Installation

(Custom Panel models only)

For custom panel installation, refer to the Custom Panel Installation Instruction Sheet (Part Number W10750117A). Complete custom panel installation before proceeding to the "Choose Attachment Option" section.

Choose Attachment Option

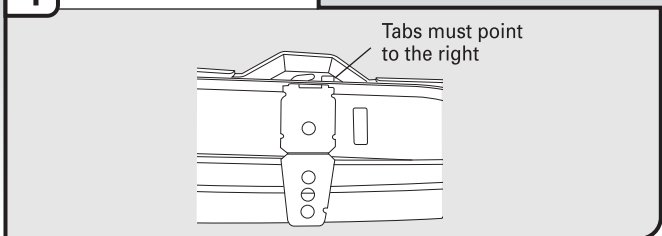
IMPORTANT: The dishwasher must be secured to the cabinet as one of the final steps. Prepare the dishwasher for this by attaching the two brackets found in the parts bag to the dishwasher.

For countertops that are wood, laminate, or another similar surface, use Option A.

For countertops that are marble, granite, or another hard surface, use Option B.

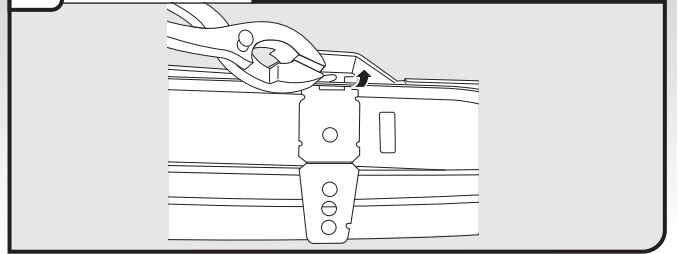
Option A, Countertop Attachment

1 Insert bracket



Remove the brackets from the package and insert into the open slots on the left-hand and right-hand top of the dishwasher collar, as shown.

2 Bend tab



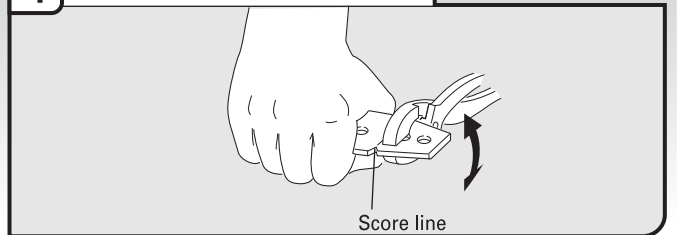
Using a pair of pliers, bend the tab down to secure the bracket in place. Repeat this step for the other side.

NOTE: Do not attach the dishwasher. This will be done later.

Option B, Dishwasher Side Attachment

NOTE: Remove the brackets from the parts package.

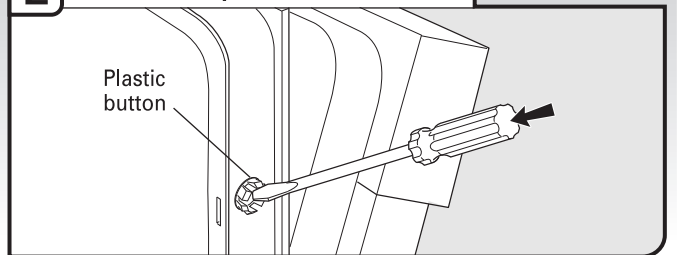
1 Break end of bracket



Break off the end of the bracket along the scored line.

With another person holding the rear of the dishwasher to keep it from tipping, open dishwasher door and place towel over pump assembly and spray arm of dishwasher. This will keep screws from falling into pump area when you are securing dishwasher to cabinet.

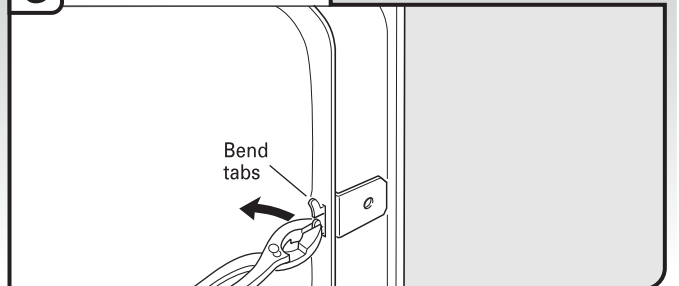
2 Remove plastic buttons



Push the plastic buttons out of the side of the tub.

NOTE: Save the buttons to cover the holes after dishwasher is installed.

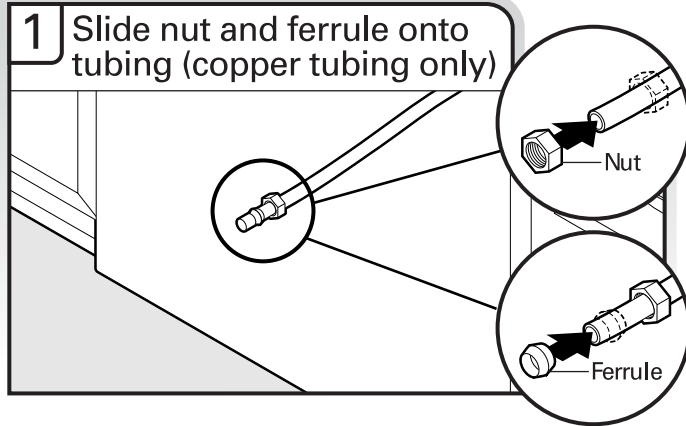
3 Install bracket



Push bracket into slot on the side of dishwasher, and bend tab in toward the side of the dishwasher so that it keeps the bracket in place. Repeat this step for the other side of the dishwasher.

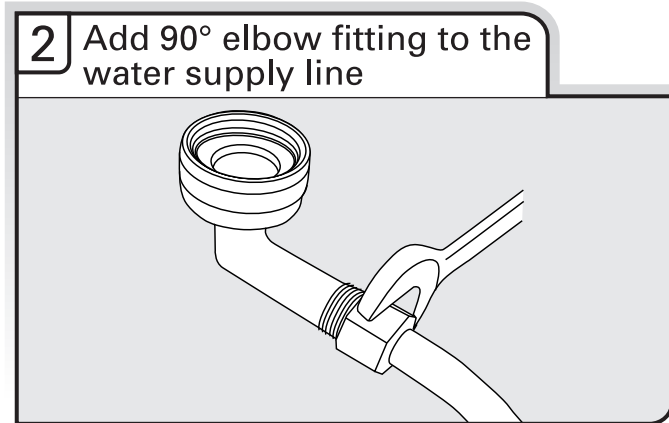
NOTE: Do not attach the dishwasher. This will be done later.

Prepare Water Supply Line



Copper tubing only: Slide nut, and then ferrule about 1" (2.5 cm) onto copper tubing.

NOTE: To avoid vibration during operation, route the water supply line so that it does not touch the dishwasher base, frame or motor.



Get $\frac{3}{8}$ " compression x $\frac{3}{4}$ " hose fitting with 90-degree elbow. See the "Tools and Parts" section at the front of the guide for part details and orders. Connect the $\frac{3}{8}$ " compression fitting of the 90° elbow to the water supply line prior to installing the unit into the cabinet opening. Attach such that the $\frac{3}{4}$ " connection is facing upward, as shown above.

Copper tubing only: Put the tubing into the 90° elbow fitting as far as it will go (the copper tubing bends and kinks easily). Slide the nut and ferrule forward, and then start the nut onto the elbow threads.

Flexible braided connection: Secure nut to elbow using $\frac{5}{8}$ " open ended wrench or adjustable wrench.

NOTE: Do not use Teflon[®] tape with compression fittings.

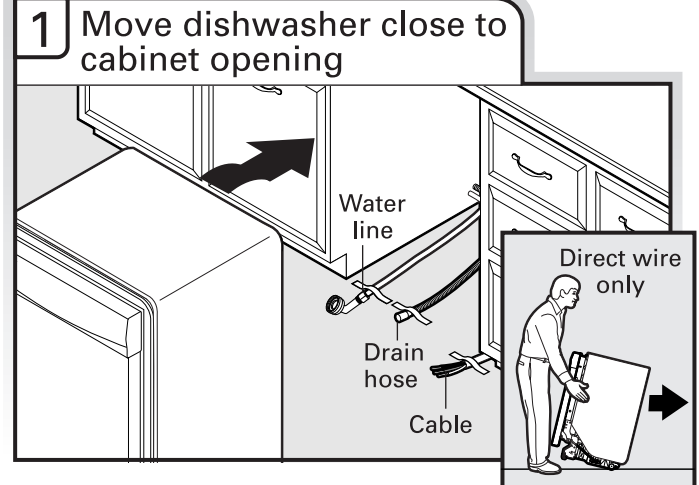
Move Dishwasher Close to Cabinet Opening

⚠ WARNING

Excessive Weight Hazard

Use two or more people to move and install dishwasher.

Failure to do so can result in back or other injury.

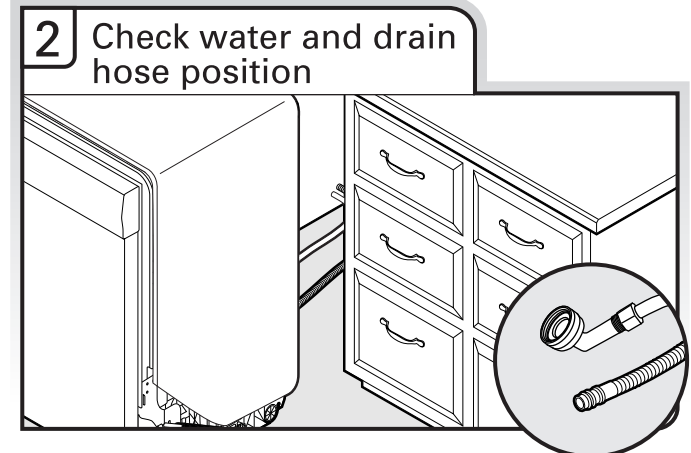


Use 2 or more people to move and install dishwasher.

IMPORTANT: Double-check correct placement of utilities. Grasp the sides of the dishwasher at the edges of the door panel. Tilt dishwasher backward on wheels and move dishwasher close to cabinet opening.

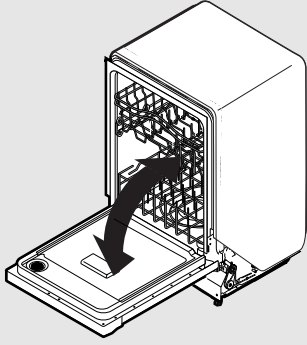
NOTE: Do not push on the front of the panel or on the console. Panel or console may dent.

Helpful Tip: Temporarily tape utilities to the floor in the locations shown to prohibit them from moving when dishwasher is moved into the cabinet opening.



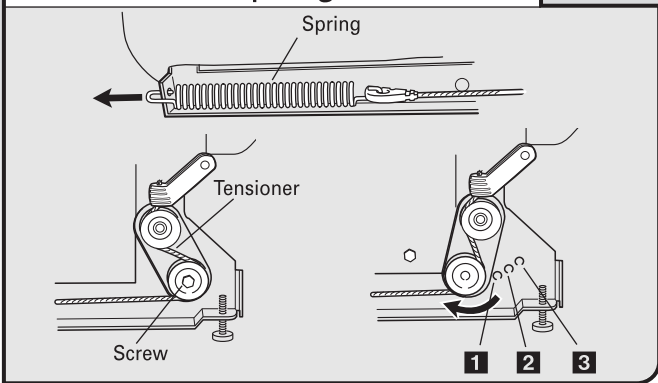
Check that water line is on the left-hand side of opening and drain hose is near the center of the cabinet opening.

3 Open and close door



With another person holding the dishwasher to keep it from tipping, open and close the door a few times. If the door closes or falls open under its own weight, the door tension will need to be adjusted.

4 Closes too quickly— Decrease spring tension



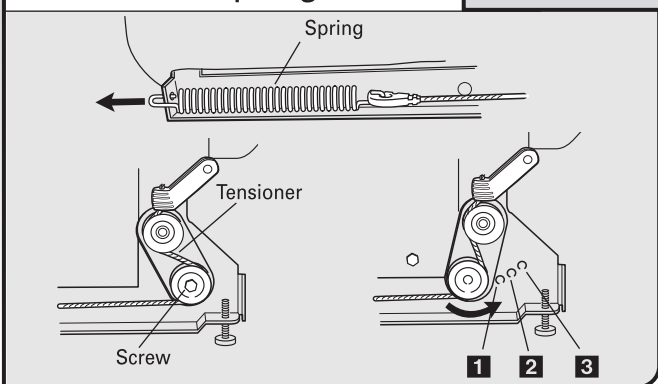
To adjust the door spring tension, unhook the spring from the rear leg of dishwasher.

Using a $\frac{5}{16}$ " nut driver or hex socket, remove the screw from the tensioner.

The screw can be put into one of 3 holes (1, 2, 3) in the front leg of dishwasher. If the door closes by itself, move the tensioner to a lower-numbered hole and replace screw. Reattach door spring to rear leg.

NOTE: Tensioners on both sides of dishwasher should be secured at same holes.

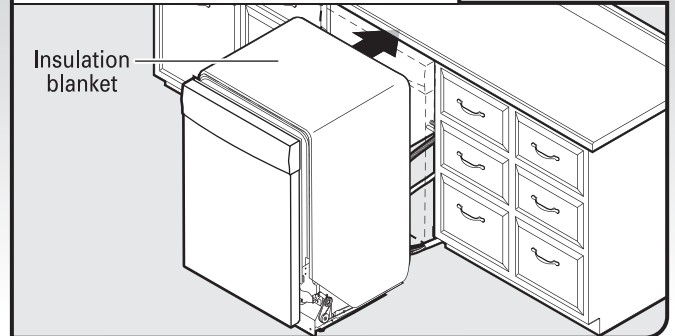
5 Door falls open— Increase spring tension



When door is unlatched, if door opens by itself, move the tensioner to a higher-numbered hole and replace the screw. Reattach door spring to rear leg.

NOTE: Tensioners on both sides of dishwasher should be secured at same holes.

6 Move dishwasher into cabinet opening

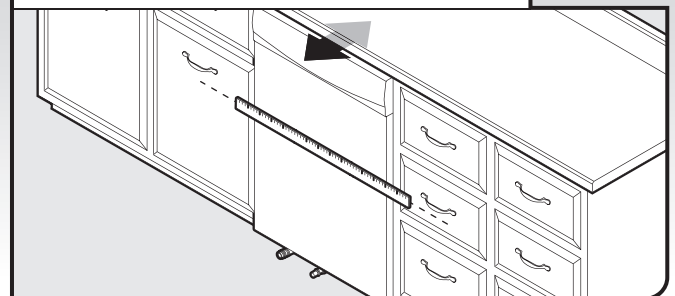


IMPORTANT: If wheels were removed, cover the floor when moving the dishwasher. Slowly move dishwasher completely into cabinet opening. Do not kink or pinch water line, drain hose, power cord or direct wire between dishwasher and cabinet. Remove cardboard from under dishwasher.

NOTES:

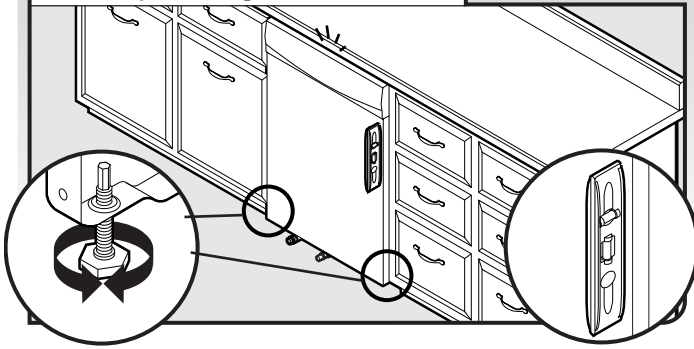
- It is all right if dishwasher fits tightly into cabinet opening. Do not remove insulation blanket – the blanket reduces the sound level.
- If using power cord, make sure to route end through hole in cutout before sliding dishwasher into cabinet opening.
- For models with water softener, make sure that the drain hose stays on the hanger that is on the right-hand side and is tucked in on the side of the unit.

7 Align front of dishwasher with front of cabinet doors



Align front of dishwasher door panel with front of cabinet doors. You may need to adjust alignment to be even with your cabinets.

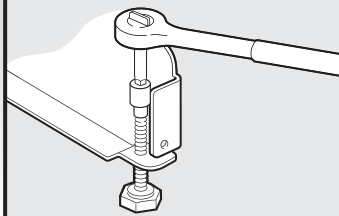
8 Check for plumb and adjust legs if needed



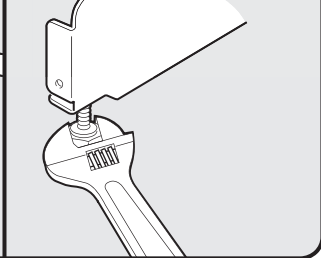
Check that leveling legs are firmly against the floor. Close and latch the door, and place level against the front panel. Check that dishwasher is centered from front to back in the opening. If needed, adjust leveling leg until dishwasher is plumb. Repeat for other side of dishwasher.

Helpful Tip: Push up on front of dishwasher to raise dishwasher off the ground to adjust front legs. With some installations, it may be easier to adjust the front leg using the $\frac{3}{16}$ " hex-head socket or adjustable wrench.

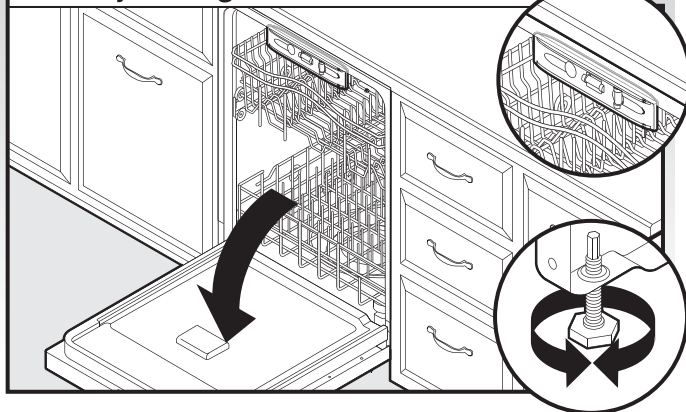
Preferred method



Optional method



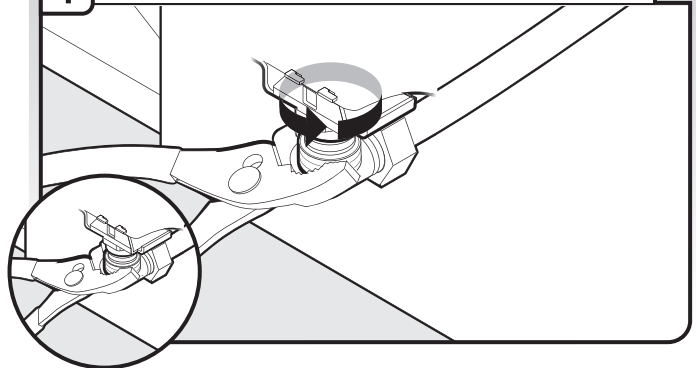
9 Check level side-to-side and adjust legs if needed



Place level against top front opening of tub. Check that dishwasher is level from side-to-side. If dishwasher is not level, adjust front legs up or down until dishwasher is level.

Connect to Water Supply

1 Tighten 90° elbow fitting to valve

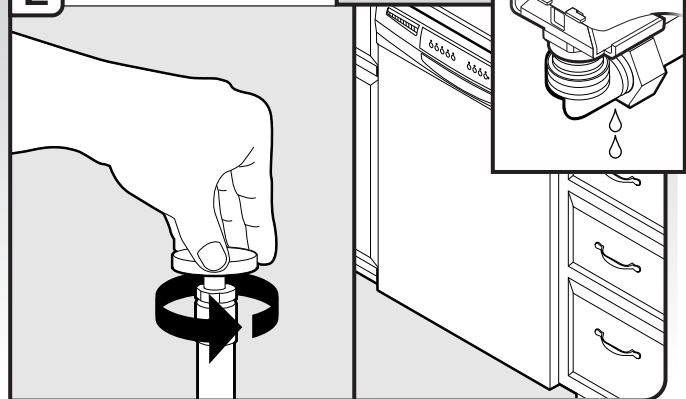


Be sure rubber washer is properly seated in fitting. Slide the $\frac{3}{4}$ " fitting of the 90° elbow up to the valve and hand tighten to avoid cross-threading. Hand tighten until the coupling is tight.

Using pliers, check the tightness of the coupling. An additional $\frac{1}{4}$ to $\frac{1}{2}$ turn may be required to seal the rubber gasket.

NOTE: Do not over tighten. Damage to the coupling can result.

2 Check for leaks

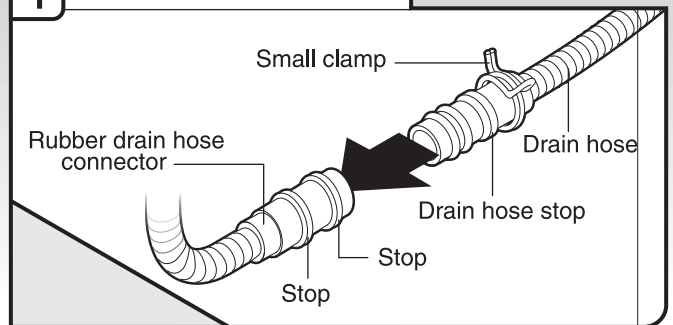


Place paper towel under 90° elbow fitting. Turn on water supply and check for leaks. If leak occurs, repeat previous step.

NOTE: Do not use Teflon® tape with compression fittings.

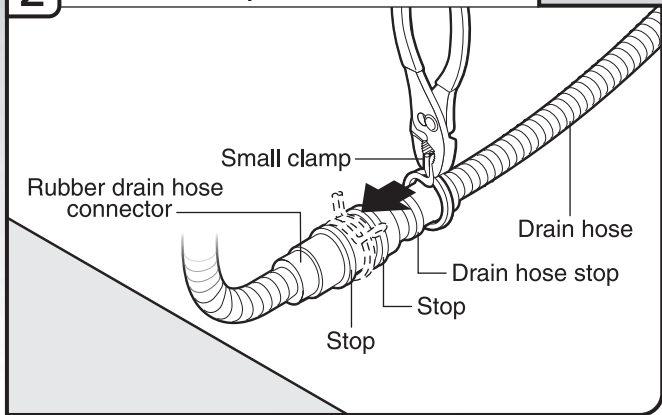
Connect to Drain

1 Connect drain hose



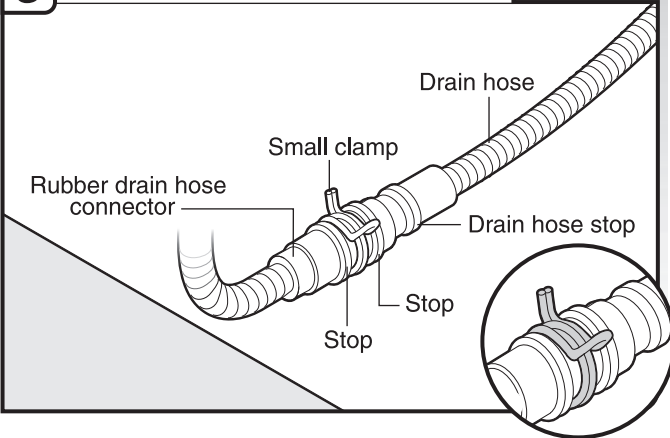
Place towel under drain hose to catch any water in drain hose. Place the small drain hose clamp onto the small end of the drain hose. Push the new drain hose into the rubber drain hose connector up to the drain hose stop.

2 Slide clamp onto connector



Using pliers, squeeze open the small drain hose clamp and slide onto connector between stops.

3 Hose clamp final position



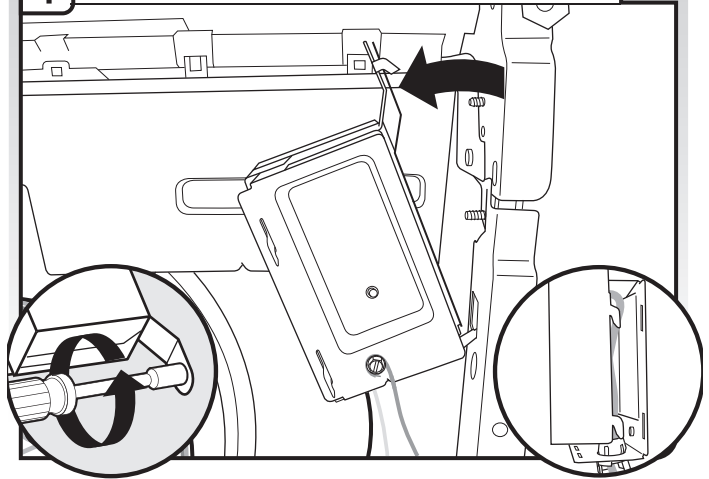
After hose is connected, remove towel.

Make Direct Wire Electrical Connection

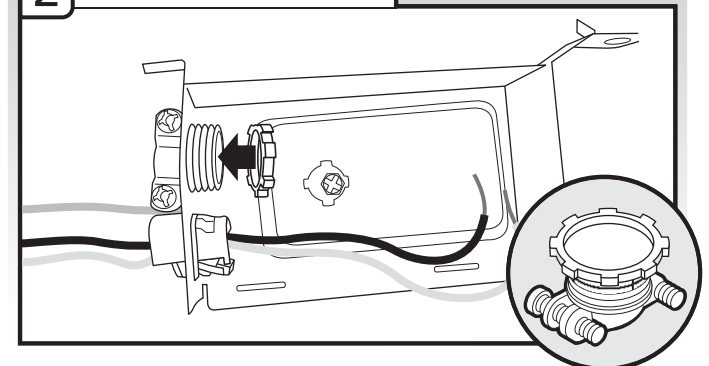
NOTE: If the power cord was connected earlier, proceed to "Secure Dishwasher in Cabinet Opening" section.

Option B, Direct Wire

1 Remove terminal box and cover

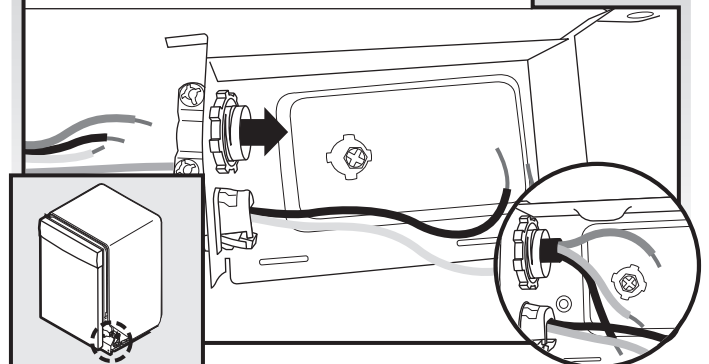


2 Install strain relief



Install a UL Listed/CSA Approved metallic strain relief. See the "Tools and Parts" section at the front of the guide for part details and orders.

3 Direct Wire—Route cable into terminal box



Route cable so that it does not touch dishwasher motor or lower part of dishwasher tub. Pull cable through UL Listed/CSA Approved strain relief in terminal box.

Note: A maximum of two field wiring supply conductors (12 AWG largest size) plus one grounding conductor are permitted in the terminal box.

⚠ WARNING



Electrical Shock Hazard

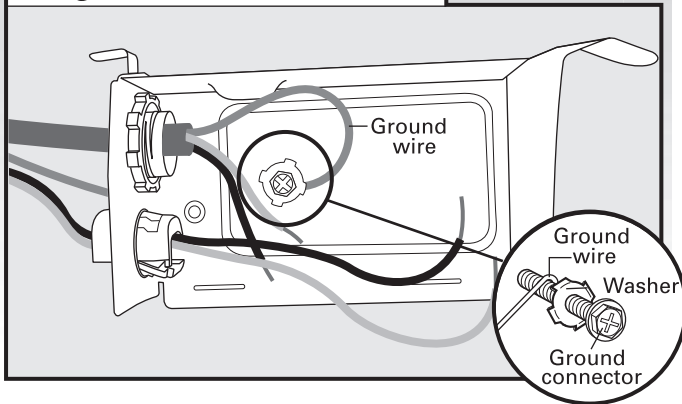
Electrically ground dishwasher.

Connect ground wire to green ground connector in terminal box.

Do not use an extension cord.

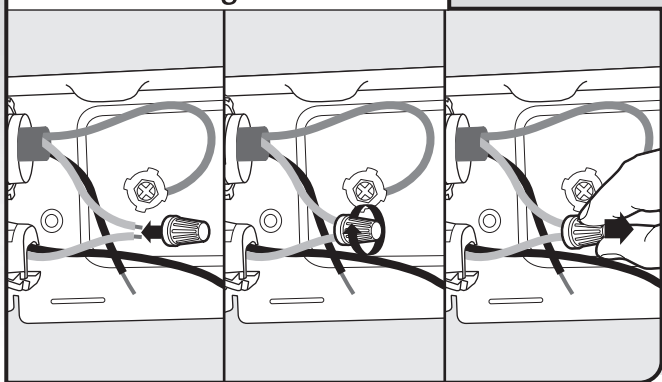
Failure to follow these instructions can result in death, fire, or electrical shock.

4 Direct Wire—Connect ground wire



Form bare ground wire into a U-shaped hook. Wrap ground wire hook clockwise around the ground connector screw on the raised floor inside the box and under the washer. Securely tighten ground connector.

5 Direct Wire—Connect remaining wires



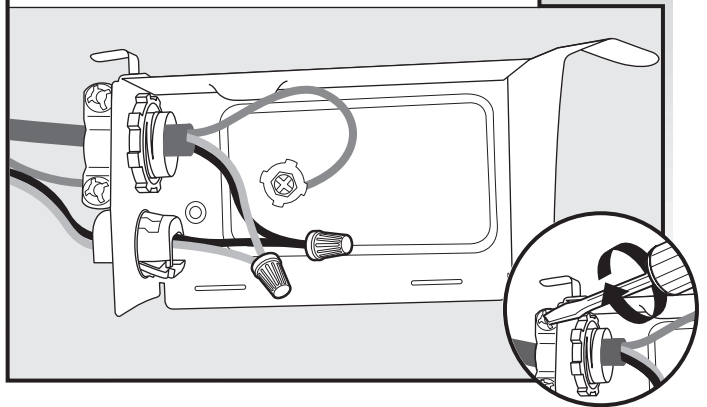
Select UL Listed/CSA Approved twist-on wire connectors of the proper size. See the “Tools and Parts” section at the front of the guide for part details. Connect wires, black to black and white to white, using the twist-on wire connectors.

NOTE: Do not pre-twist stranded wire. Twist on wire connector. Gently tug on wires to be sure both are secured.

Wiring configuration

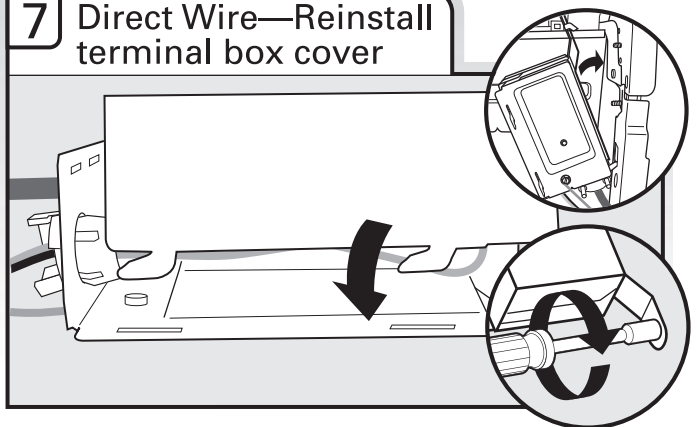
Power supply wire:	Terminal box wire:
white	white
black	black
ground wire	ground connector

6 Direct Wire—Secure cable in strain relief



Tighten strain relief screws to secure cable. Make sure screw heads are facing up when tightening conduit nut.

7 Direct Wire—Reinstall terminal box cover

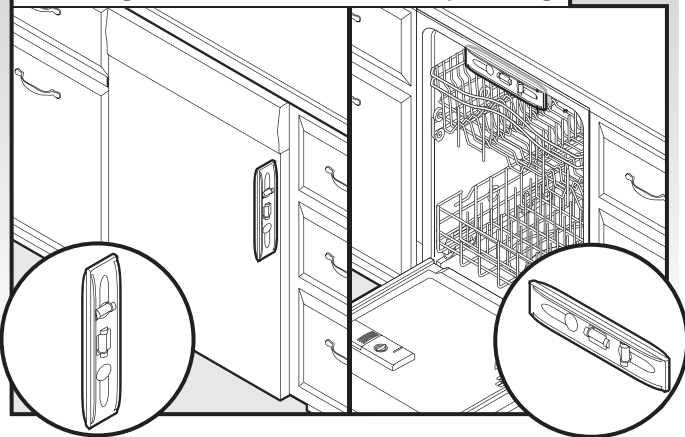


Place wires inside terminal box. Replace the cover by inserting the hooks of the terminal cover into the slots in the floor of the terminal box and sliding the cover tight against the back wall where wires come in. Make sure wires are tucked inside the box and not pinched by the cover. Then, put the terminal box back on the crossbar with the tab in place. Use a 1/4" nut driver and the previously removed screw to secure the terminal box to the crossbar.

Once the terminal box has been remounted on the dishwasher, there should be some excess length or slack in the green, black, and white wires coming from the dishwasher to the terminal box. Wrap these wires over the nearby components, or clip them back into the nearby clips that they were routed through prior to your removing the box, to help keep them off the floor.

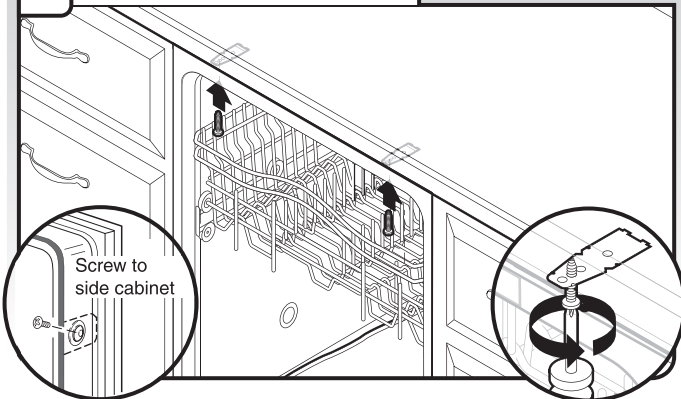
Secure Dishwasher in Cabinet Opening

1 Double-check dishwasher alignment in cabinet opening



Check that dishwasher is still level front-to-back and side-to-side in cabinet opening.

2 Secure dishwasher



Open dishwasher door to prepare for securing the dishwasher to the cabinet.

NOTES:

- The dishwasher must be secured to keep it from shifting when the door is opened.
- Do not drop screws into bottom of dishwasher.

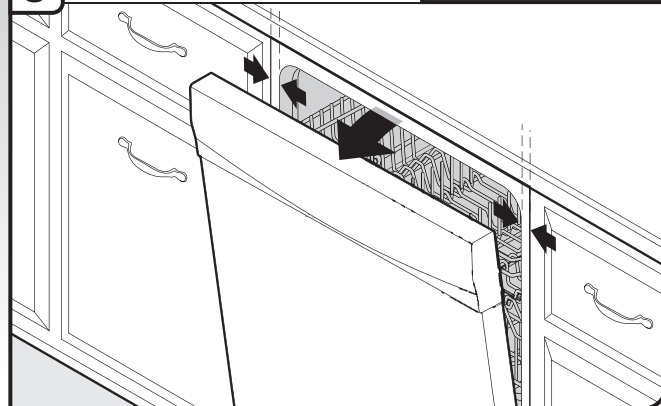
Option 1 - Secure Dishwasher To Countertop.

- Locate brackets installed on top of dishwasher (during Choose Attachment Method)
- Secure dishwasher to countertop with two, #10 x 1/2" Phillips-head screws (included).

Option 2 - Side Mount Dishwasher To Cabinet.

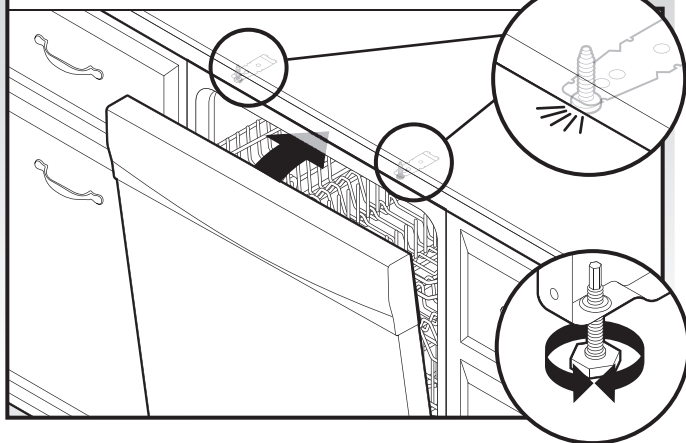
- Locate brackets installed on sides of dishwasher (during Choose Attachment Method).
- Drill pilot holes in cabinet to avoid splitting the wood.
- Secure dishwasher to cabinet with two, #10 x 1/2" Phillips-head screws (included).

3 Check inner spacing



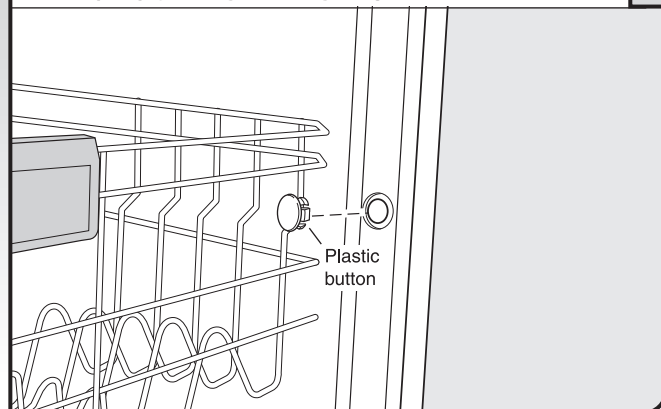
Open door and check that space between dishwasher cabinet opening and tub is equal on both sides. If spacing is not equal, loosen bracket screws and shift tub. Tighten bracket screws

4a Check door clearance – Option 1 attachment method



Check that top of door does not contact screws, brackets or countertop. If it does, adjust leveling legs.

4b Check door clearance – Option 2 attachment method



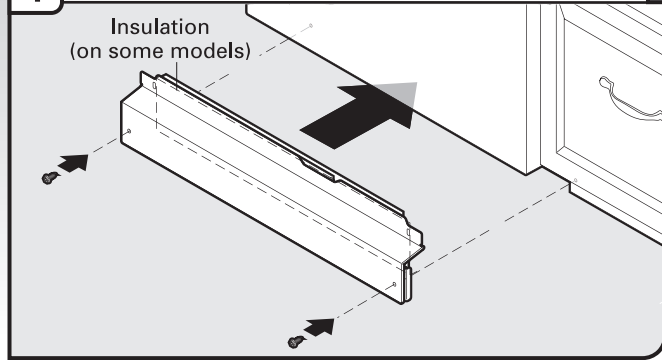
If securing with a side attachment, check that sides of door do not rub against the screw heads. If they do, dishwasher must be re-centered. When dishwasher is properly centered, replace plastic buttons.

Complete Installation

Check that power supply wire or cord does not touch dishwasher motor or lower part of dishwasher tub.

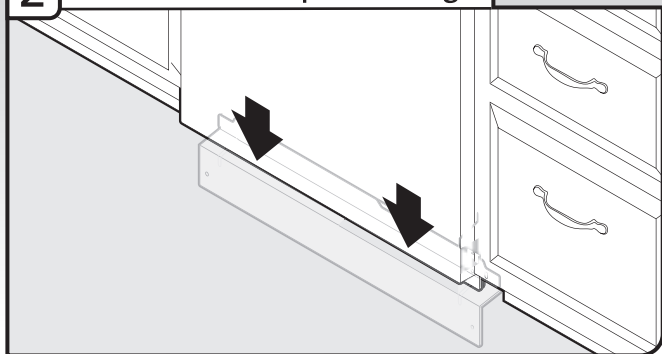
Option A, Install Access Panel - Plastic Panel

1 Reinstall access panel and fasteners



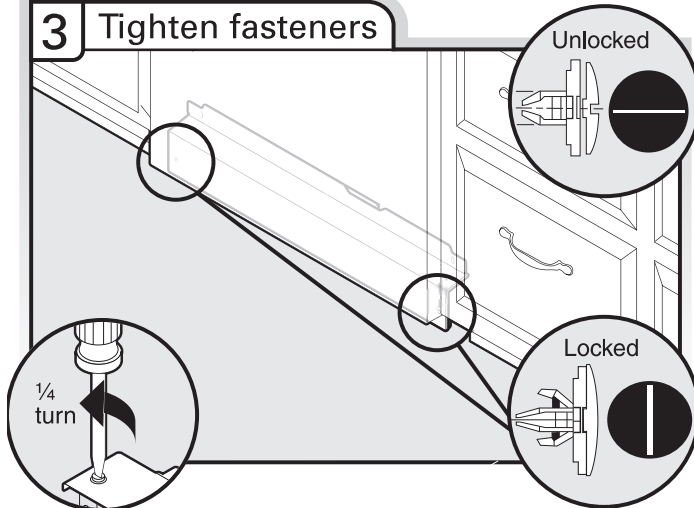
Place the plastic access panel against the dishwasher leg.

2 Check access panel edge



Check that the lower edge of the access panel touches the floor. Adjust if necessary.

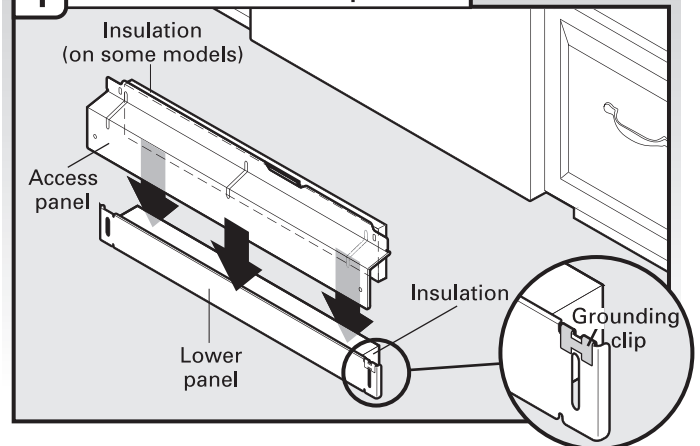
3 Tighten fasteners



Using a flat-blade screwdriver, turn the fasteners 1/4 turn clockwise to lock into place. The fasteners slot will be straight up and down when properly locked.

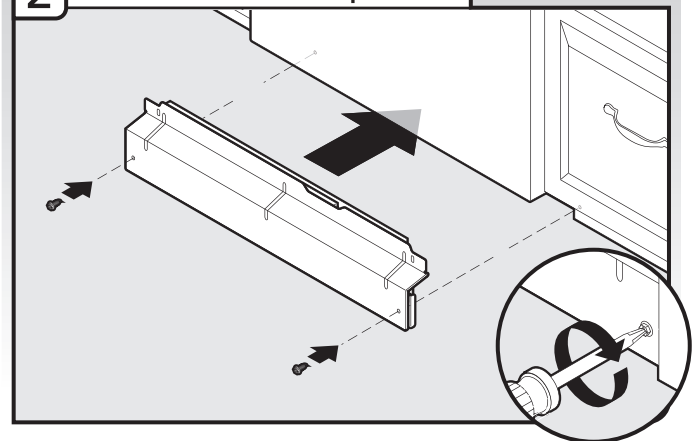
Option B, Install Access Panel - Metal Panel

1 Reinstall access panels



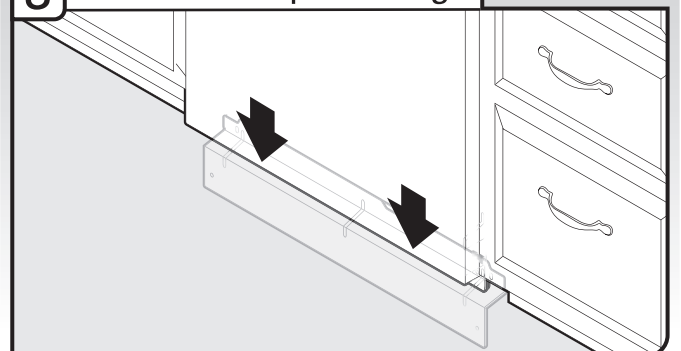
Check that grounding clip is attached to the lower panel. Position the lower panel behind the access panel. On some models there is insulation on the access panel that must fall behind the insulation on the lower panel.

2 Reinstall access panels

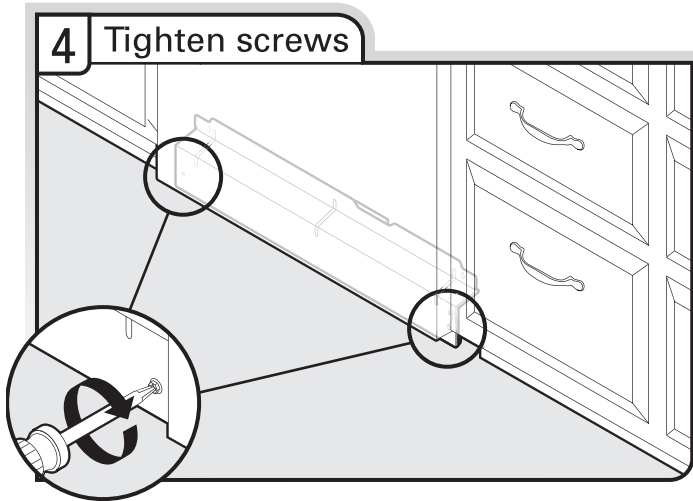


Hold the 2 panels together and place them against dishwasher leg. Using a Phillips screwdriver or 1/4" nut driver, reinstall the screws through the holes in the access panel, and the slots in the lower panel.

3 Check lower panel edge



Check that the lower edge of the lower panel contacts the floor. Adjust if necessary.



Tighten access panel screws.

⚠ WARNING



Electrical Shock Hazard

Plug into a grounded 3 prong outlet.

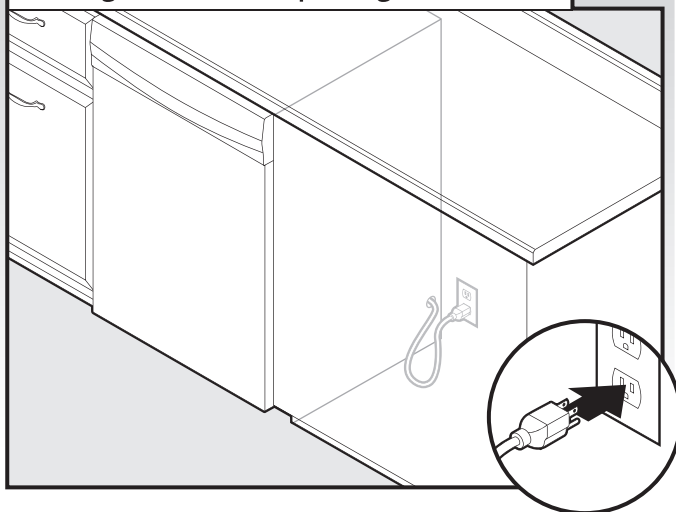
Do not remove ground prong.

Do not use an adapter.

Do not use an extension cord.

Failure to follow these instructions can result in death, fire, or electrical shock.

1 Power supply cord—Plug into a grounded 3 prong outlet



Plug into a grounded 3 prong outlet.

Reconnect Power

1 Reconnect power

Reconnect electrical power at the fuse box or circuit breaker box.

Check Operation

- Read the Dishwasher User Guide that came with your dishwasher.
- Check that all parts have been installed and no steps were skipped. Check that you have all tools used.
- Start dishwasher and allow it to complete the shortest wash cycle. After the first 2 minutes, unlatch door, wait 5 seconds, then open door. Check that there is water in the bottom of the dishwasher tub. Check that dishwasher is working properly.

If the dishwasher is not working properly, disconnect power or unplug dishwasher and See the "If Dishwasher Does Not Operate" section.

If Dishwasher Does Not Operate

First try the solutions suggested here to possibly avoid the cost of a service call.

- Has the circuit breaker tripped or the house fuse blown?
- Is the door closed tightly and latched?
- Has the cycle been set correctly to start the dishwasher?
- Is the water turned on?

If none of these possible solutions work, please see the User Guide for service contact information.

Additional Tips

Expect longer wash times. Your new dishwasher will average 2 to 3 hours per load, but use nearly 40% less energy than older models. Designed with a low wattage, low energy consumption motor, your dishwasher washes longer to ensure exceptional cleaning. Certain models are equipped with an optical water sensor so the first cycle will run longer to calibrate to optical sensor. Selecting certain options could increase cycle time past 3.5 hours.

Rinse aid is necessary for good drying results: This dishwasher is designed to be used with rinse aid for good drying performance and controlling hard water deposit buildup. Energy efficient dishwashers use less water and energy, so they depend on the water sheeting action of rinse aid for good drying performance.

Start/Resume indicator light may flash: When pressing Start/Resume, you must make sure the door is closed within 3 seconds. If you do not close the door within 3 seconds, the Start/Resume indicator light will flash until you press it again. (You must also do this when adding a dish during the middle of a cycle.)

ÍNDICE

SEGURIDAD DE LA LAVAVAJILLAS	25	Conexión del cable eléctrico	36
REQUISITOS DE INSTALACIÓN	26	Cómo determinar la abertura del armario	38
Herramientas y piezas	26	Instalación de la manija de la puerta	39
Requisitos de ubicación	27	Instalación del panel a la medida	40
Requisitos de desagüe	29	Elija el modo de sujeción	40
Requisitos eléctricos	29	Prepare la línea de suministro de agua	41
INSTRUCCIONES DE INSTALACIÓN	30	Mueva la lavavajillas cerca de la abertura del armario	41
Prepare la abertura del armario - Con servicios públicos existentes	30	Conexión al suministro de agua	43
Prepare la abertura del armario - Con nuevos servicios públicos	30	Conexión al desagüe	43
Prepare y dirija la línea de agua	32	Conexión eléctrica por cable directo	44
Instalación de la manguera de desagüe	33	Asegure la lavavajillas en la abertura del armario	46
Instale la barrera contra humedad (opcional)	35	Complete la instalación	47
Prepare la lavavajillas	35	Verifique el funcionamiento	49
		Si la lavavajillas no funciona	49
		Consejos adicionales	49

SEGURIDAD DE LA LAVAVAJILLAS

Su seguridad y la seguridad de los demás es muy importante.

Hemos incluido muchos mensajes importantes de seguridad en este manual y en su electrodoméstico. Lea y obedezca siempre todos los mensajes de seguridad.



Este es el símbolo de advertencia de seguridad.

Este símbolo le llama la atención sobre peligros potenciales que pueden ocasionar la muerte o una lesión a usted y a los demás.

Todos los mensajes de seguridad irán a continuación del símbolo de advertencia de seguridad y de la palabra "PELIGRO" o "ADVERTENCIA". Estas palabras significan:

 **PELIGRO**

Si no sigue las instrucciones de inmediato, usted puede morir o sufrir una lesión grave.

 **ADVERTENCIA**

Si no sigue las instrucciones, usted puede morir o sufrir una lesión grave.

Todos los mensajes de seguridad le dirán el peligro potencial, le dirán cómo reducir las posibilidades de sufrir una lesión y lo que puede suceder si no se siguen las instrucciones.

 **ADVERTENCIA**



Peligro de Vuelco

No use la lavavajillas antes de estar completamente instalada.

No se apoye en la puerta abierta.

No seguir estas instrucciones puede ocasionar heridas serias o cortaduras.

Usted necesita:

Abrir lentamente la puerta de la lavavajillas mientras alguien sujeta la parte trasera de la lavavajillas. Quite los materiales de envío y la manguera de desagüe. Cierre la puerta de la lavavajillas hasta que quede asegurada.

NOTA: Cada lavavajillas ha sido probada en la fábrica y es posible que contenga agua residual en la tina, como resultado de las pruebas.

Cumplir con todos los códigos y reglamentos vigentes.

Instalar la lavavajillas según se especifica en estas instrucciones.

La instalación debe ser hecha por un técnico de servicio calificado.

La lavavajillas debe instalarse de acuerdo con todos los códigos y reglamentos eléctricos y de plomería nacionales y locales.

Se debe tener cuidado cuando se instala o se saca el aparato, para reducir la probabilidad de que ocurran daños al cable de suministro eléctrico.

ADVERTENCIA: Para reducir el riesgo de choque eléctrico, incendio o lesiones a personas, el instalador debe asegurarse de que la lavavajillas esté en un lugar completamente cerrado en el momento de la instalación.

REQUISITOS DE INSTALACIÓN

Herramientas y piezas

Reúna todas las herramientas y piezas recomendadas antes de comenzar la instalación. Lea y siga las instrucciones provistas con cualquiera de las herramientas detalladas aquí.

Todas las instalaciones



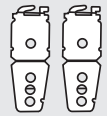
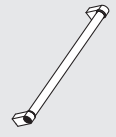
Herramientas necesarias:

Pinzas 	Destornillador de hoja plana 
Destornillador Phillips 	Cuchillo para uso general 
Llaves de tuercas o de tubo hexagonal de 5/16" y 1/4" 	Nivel pequeño 
Cinta de medir o regla 	Llave de boca de 3/8" 
Llave de tuercas ajustable de 10" que se abra hasta 1 1/8" (2,9 cm) 	Destornillador Torx®† T20®. Si va a instalar paneles frontales a la medida, use el destornillador Torx®† T15® 

Otros artículos útiles que puede necesitar:


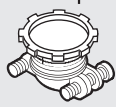

Linterna 	Bandeja llana 	Toalla de baño 	Cinta para ductos o cinta adhesiva protectora 
--	---	--	---

Piezas suministradas:

Abrazaderas para manguera de desagüe (2) (1 grande/roja y 1 pequeña/verde) 	Manguera de desagüe 	Tornillos de cabeza Phillips N° 10 x 1/2" (2) 	Soportes de montaje de debajo del mostrador (2) 	Manija de la puerta (en algunos modelos) 
--	---	---	---	--

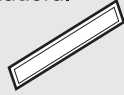

Cerciórese de que se hayan incluido todas estas piezas en la bolsa con el material impreso. Si faltan piezas, llame al 1-800-422-1230. En Canadá, llame al 1-800-807-6777.

Otras piezas incluidas: (no provistas)

Compresión de 3/8" x conector de manguera de 3/4" con sello de goma y codo de 90° (se requiere para conectar de forma adecuada la línea de agua del hogar a la lavavajillas) 	Protector de cables (metálico) de cableado del hogar para encajar en el orificio de 3/8" (2,2 cm) (se requiere asegurar de modo apropiado el cableado del hogar a la caja de terminales de la lavavajillas) NOTA: Use solamente piezas que estén en la lista de UL y aprobadas por CSA 	Conectores de alambre de rosca NOTA: Verifique el tamaño adecuado para conectar el calibre del cableado del hogar al cableado de calibre 16 en la lavavajillas NOTA: Use solamente piezas que estén en la lista de UL y aprobadas por CSA 
(Whirlpool pieza número W10685193)	(Whirlpool pieza número 4396672)	

Llame al Centro de piezas de Whirlpool: 1-800-442-9991 para los números de piezas detallados anteriormente o consulte a un distribuidor minorista de suministro eléctrico/de plomería local para obtener piezas equivalentes.

Piezas accesorias opcionales disponibles:

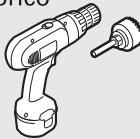

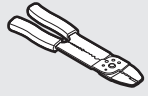
Cinta de barrera contra humedad NOTA: La cinta de barrera contra humedad es un nivel agregado de protección opcional si se instala una lavavajillas debajo de un mostrador de madera. 	Juego del panel lateral Para encerrar el lateral de la lavavajillas cuando la instala al final de una línea de armarios. (El número de pieza varía según el color) 
(Whirlpool pieza número 4396277)	

Llame al Centro de piezas de Whirlpool: 1-800-442-9991 para obtener el número de pieza detallado anteriormente.

Instalaciones por primera vez




Verifique los códigos locales. Verifique el suministro eléctrico existente. Vea la sección "Requisitos eléctricos". Se recomienda que todas las conexiones eléctricas sean realizadas por un instalador eléctrico autorizado.

Herramientas adicionales necesarias:




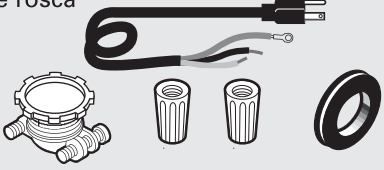
Taladro inalámbrico con brocas para sierra perforadora de 1/2" (1,3 cm), 3/4" (1,9 cm) y 1 1/2" (3,8 cm) 	Pequeño cortador de tubos 	Pelacables 
--	---	--

†@TORX, T15 y T20 son marcas registradas de Acument Intellectual Properties, LLC.

Piezas adicionales necesarias (no provistas)

<p>Tubería de cobre (se sugiere un diámetro externo de 3/8" [0,95 cm]) o juego de línea trenzada flexible de suministro (Whirlpool pieza número W10278635RP). El juego incluye la manguera trenzada y compresión de 3/8" (0,95 cm) x conector de manguera de 3/4" (1,91 cm)</p> 	<p>Abrazaderas tipo tornillo de 1 1/2" a 2" (3,81 a 5 cm) (máximo 3)</p> 	<p>Longitud máxima de manguera de desagüe más larga opcional: 12 pies (3,7 m) NOTA: Debe cumplir con los estándares de AHAM/IAPMO (por sus siglas en inglés, los Fabricantes estadounidenses de electrodomésticos para uso doméstico y la Asociación internacional de funcionarios de fontanería y mecánica), encajar en la conexión de desagüe de 1" (2,5 cm) y ser resistente al calor y al detergente.</p> <p>(Whirlpool pieza número 3385556)</p> 
<p>Llame al Centro de piezas de Whirlpool: 1-800-442-9991 para los números de piezas detallados anteriormente o consulte a un distribuidor minorista de suministro de plomería local para obtener piezas equivalentes.</p>		

NOTA: Si se usa una manguera trenzada flexible, reemplace la manguera de entrada después de 5 años para reducir el riesgo de que falle. Para consultar en el futuro, anote en la manguera la fecha de instalación o la fecha de reposición de la misma.

<p>Para cable directo</p> 	<p>Para el cable eléctrico</p> 
<p>Aro de refuerzo del armario Para orificio de 1 1/2" (3,8 cm) en el armario.</p>  <p>(Whirlpool pieza número 302797) NOTA: Se requiere para armarios de metal.</p>	<p>Cable eléctrico el juego El juego comúnmente incluye cable eléctrico, protector de cables metálico, aro de refuerzo y conectores de alambre de rosca</p>  <p>(Whirlpool pieza número 4317824)</p>
<p>Llame al Centro de piezas de Whirlpool : 1-800-442-9991 para los números de piezas detallados anteriormente o consulte a un distribuidor minorista de suministro eléctrico/de plomería local para obtener piezas equivalentes.</p>	

Requisitos de ubicación

La lavavajillas debe estar totalmente cubierta (parte superior, laterales, parte posterior y base) al instalar. Un juego de panel lateral se encuentra disponible con su distribuidor para la instalación de su lavavajillas al final de una línea de armarios.

Un accesorio opcional de barrera contra la humedad también se encuentra disponible para instalarse debajo de un mostrador de madera. Vea la sección "Herramientas y piezas" en la primera parte de la guía para obtener detalles de las piezas y pedidos.

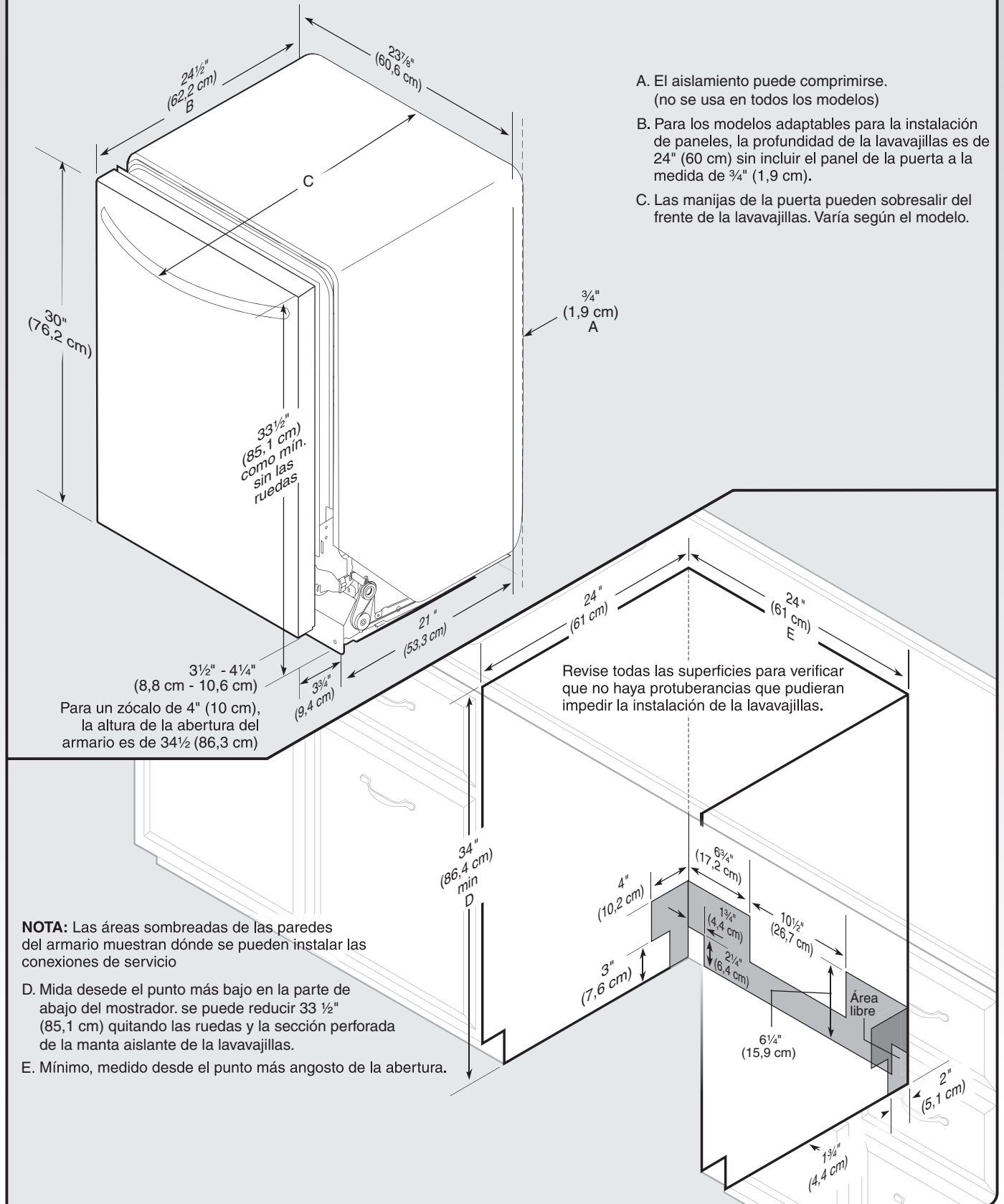
Revise la ubicación donde se instalará la lavavajillas. El lugar debe tener:

- Un acceso conveniente para cargar y descargar la vajilla. Las ubicaciones en esquinas requieren de un espacio libre mínimo de 2" (5,1 cm) entre el lado de la puerta de la lavavajillas y la pared o el armario.
- Acceso fácil a agua, electricidad y un desagüe.
 - Se requiere un suministro eléctrico conectado a tierra.
 - Asegúrese de que los tubos, los cables y la manguera de desagüe estén dentro del área sombreada que se muestra en la sección "Dimensiones del producto y de la abertura del armario".
 - No dirija las líneas de desagüe, de agua o el cableado eléctrico en donde puedan interferir o hacer contacto con el motor o las patas de la lavavajillas.
 - Proteja la lavavajillas y las líneas de agua que van a la lavavajillas contra el congelamiento. Los daños ocasionados por congelamiento no están cubiertos por la garantía.

NOTA: Si no se va a usar la lavavajillas por un tiempo o si se encuentra en un lugar en donde pueda estar expuesta a temperaturas de congelación, hágala acondicionar para el invierno por parte de personal de servicio técnico autorizado.

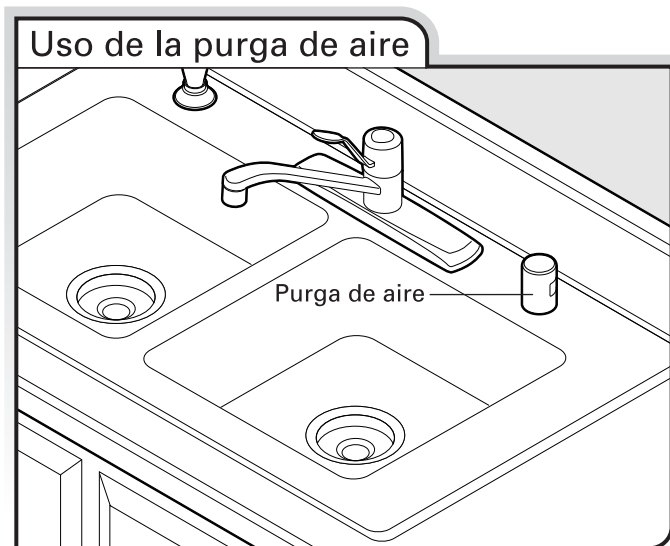
- Una abertura cuadrada para el funcionamiento y la apariencia adecuados.
- El frente del armario debe estar perpendicular al piso.
- Un piso nivelado.
Consejo útil: Si el piso en la abertura frontal no está nivelado con el piso en la parte posterior de la abertura, tal vez se usen calzas para nivelar la lavavajillas. **NOTA:** Para evitar que se muevan durante el funcionamiento de la lavavajillas, las calzas deben estar sujetas firmemente al piso.
- La ubicación donde se instalará la lavavajillas debe proveer espacios libres entre el motor y el piso. El motor no debe hacer contacto con el piso.
- No instale la lavavajillas sobre pisos alfombrados.

Dimensiones del producto y de la abertura del armario



Requisitos de desagüe

- Se provee una manguera nueva de desagüe con su lavavajillas. Si la manguera de desagüe no es lo suficientemente larga, use una manguera de desagüe nueva con una longitud máxima de 12 pies (3,7 m) que cumpla con todos los estándares actuales de AHAM/IAPMO (por sus siglas en inglés, los Fabricantes estadounidenses de electrodomésticos para uso doméstico y la Asociación internacional de funcionarios de fontanería y mecánica); que sea resistente al calor y al detergente, y que encaje en el conector de desagüe de 1" (2,5 cm) de la lavavajillas. Vea la sección "Herramientas y piezas" en la primera parte de la guía para obtener detalles de las piezas y pedidos.
- Cerciórese de conectar la manguera de desagüe al tubo de desperdicios en "T" o a la entrada del recipiente de desechos que se encuentra encima del sifón de desagüe en la plomería de la casa, y a un mínimo de 20" (50,8 cm) por encima del piso. Se recomienda que la manguera de desagüe se enlace y quede asegurada firmemente a la parte inferior del mostrador, o que se conecte a una purga de aire.



- Cerciórese de usar una purga de aire si la manguera de desagüe está conectada a la plomería de la casa a una altura menor de 20" (50,8 cm) sobre el contrapiso o el piso.
- Si es necesario, la purga de aire deberá instalarse según las instrucciones de instalación de la misma. Cuando conecte la purga de aire, será necesaria una manguera de goma (no provista) para conectar el tubo de desperdicios en "T" o la entrada del recipiente de desechos.
- Use accesorios para líneas de desagüe con un diámetro interior de 1/2" (1,27 cm) como mínimo.
- Requisitos del suministro de agua
- Una tubería de agua caliente con presión de agua de 20 a 120 lb/in² (138 a 862 kPa), que pueda ser verificada por un plomero autorizado.
- Temperatura del agua en la lavavajillas de 120 °F (49 °C).
- Tubería de cobre de 3/8" (0,95 cm) de diámetro externo con conector a compresión o línea de suministro de agua roscada flexible. Vea la sección "Herramientas y piezas" en la primera parte de la guía para obtener detalles de las piezas y pedidos.

- **NOTA:** No se recomienda usar tubería de plástico de 1/2" (1,27 cm) como mínimo.
- Un codo de 90° con una conexión de manguera de 3/4" (1,91 cm) con una arandela de goma. Vea la sección "Herramientas y piezas" en la primera parte de la guía para obtener detalles de las piezas y pedidos.
- No suelde a una distancia menor de 6" (15,2 cm) de la válvula de entrada del agua.

Requisitos eléctricos

Asegúrese de que la conexión eléctrica y el tamaño de los hilos sean adecuados y de conformidad con el Código Nacional Eléctrico, ANSI/NFPA 70 - última edición y con todos los códigos y ordenanzas locales.

Usted puede obtener una copia de las normas de los códigos arriba indicadas en:

National Fire Protection Association
1 Batterymarch Park
Quincy, MA 02169-7471

Usted debe tener:

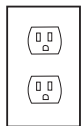
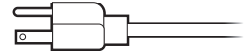
- Un suministro eléctrico de 120 voltios, 60 hertzios, CA solamente, de 15 o 20 amperios y protegido con fusibles.
- Solamente alambre de cobre.
- En la caja de terminales, se permiten como máximo dos conductores de alambres de suministro en campo (el tamaño más grande de 12 AWG) y un conductor para la conexión a tierra.

Recomendamos:

- Un fusible retardador o un cortacircuitos.
- Un circuito separado.

Si se conecta una lavavajillas con un cable eléctrico:

- Use un juego de cable eléctrico que esté en la lista de UL, para ser usado con lavavajillas. Vea la sección "Herramientas y piezas" en la primera parte de la guía para obtener detalles de las piezas y pedidos.
- El cable eléctrico debe conectarse a un contacto de pared de 3 terminales, con conexión a tierra, ubicado en el armario que se encuentra al lado de la abertura de la lavavajillas. El contacto debe cumplir con todos los códigos y ordenanzas locales.



Si va a conectar la lavavajillas con cableado directo:

- Use alambre de cobre blindado flexible o forrado no metálico con el alambre de conexión a tierra, el cual cumpla con los requisitos de cableado para su casa y con los códigos y ordenanzas locales.
- Use un protector de cables metálico que esté en la lista de UL y aprobado por CSA. Vea la sección "Herramientas y piezas" en la primera parte de la guía para obtener detalles de las piezas y pedidos.



INSTRUCCIONES DE INSTALACIÓN

⚠️ ADVERTENCIA



Peligro de Choque Eléctrico

Desconecte el suministro de energía en la caja de fusibles o cortacircuitos antes de instalar la lavavajillas.

No seguir esta instrucción puede ocasionar la muerte o choque eléctrico.

1 Desconecte el suministro de energía

Desconecte el suministro de energía en la caja de fusibles o cortacircuitos antes de instalar la lavavajillas.

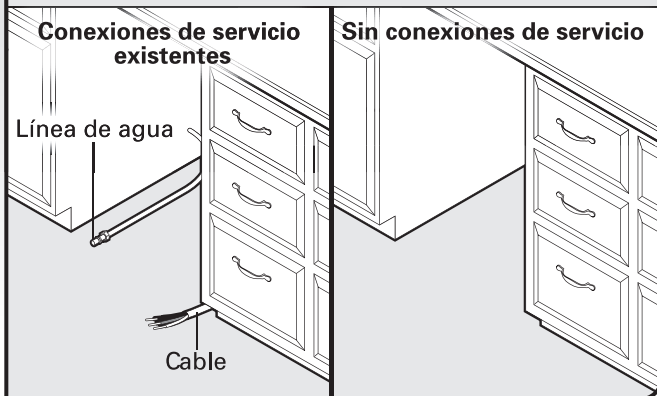
2 Cierre el suministro de agua

Cierre el suministro de agua a la lavavajillas.

3 ¿Tiene ya listas las conexiones de servicio?

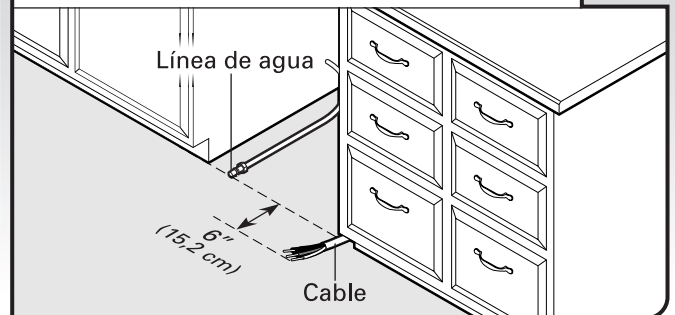
Sí – Siga las instrucciones en la sección “Prepare la abertura del armario - Con servicios públicos existentes”.

No – Siga las instrucciones en la sección “Prepare la abertura del armario – Con nuevos servicios públicos”.



Prepare la abertura del armario - Con servicios públicos existentes

1 Revise la ubicación del agua y la instalación eléctrica



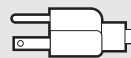
Al quitar una lavavajillas anterior, asegúrese de evitar dañar el cable eléctrico existente, línea de desagüe y la línea de agua conectada a la lavavajillas.

Si la línea de agua y el cable se extienden hacia las ubicaciones mostradas, proceda a la sección “Instalación de la manguera de desagüe”. Si no llegan lo suficientemente lejos, siga las instrucciones en la sección “Prepare la abertura del armario – Con nuevos servicios públicos”.

Prepare la abertura del armario - Con nuevos servicios públicos

Prepare y dirija el suministro eléctrico

¿Qué tipo de conexión eléctrica va a usar?



Cable de suministro eléctrico:
Siga las instrucciones de la Opción A

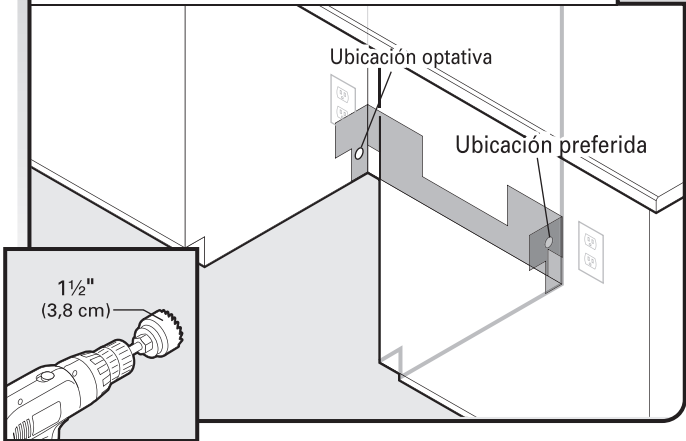


Cable directo:
Siga las instrucciones de la Opción B

Opción A, cable de suministro eléctrico:

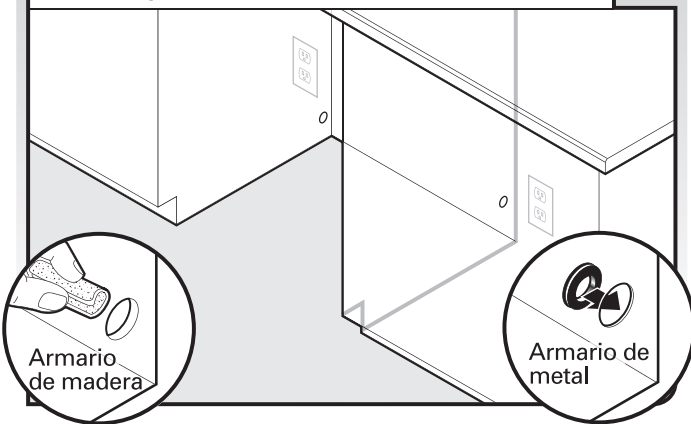
NOTA: Se requiere que haya un contacto de 3 terminales conectado a tierra, en un armario que se encuentre al lado de la abertura de la carcasa de la lavavajillas.

1 Cable de suministro eléctrico – Taladre el orificio



Taladre un orificio de 1 1/2" (3,8 cm) en la parte lateral o posterior del armario. Vea la sección "Dimensiones del producto y de la abertura del armario".

2 Cable de suministro eléctrico – Prepare el orificio



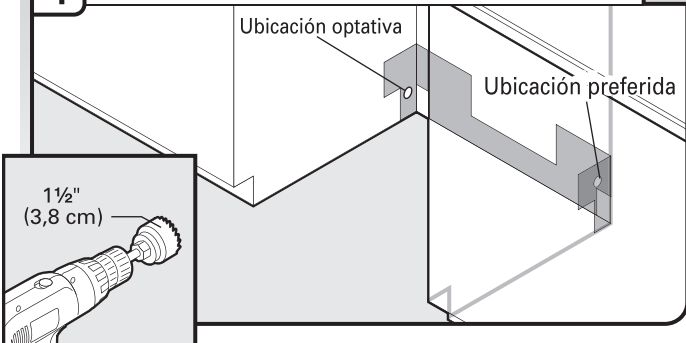
Armario de madera: Lije el orificio hasta que quede liso.

Armario de metal: Cubra los bordes del orificio con el aro de refuerzo. Vea la sección "Herramientas y piezas" en la primera parte de la guía para obtener detalles de las piezas.

Opción B, cable directo:

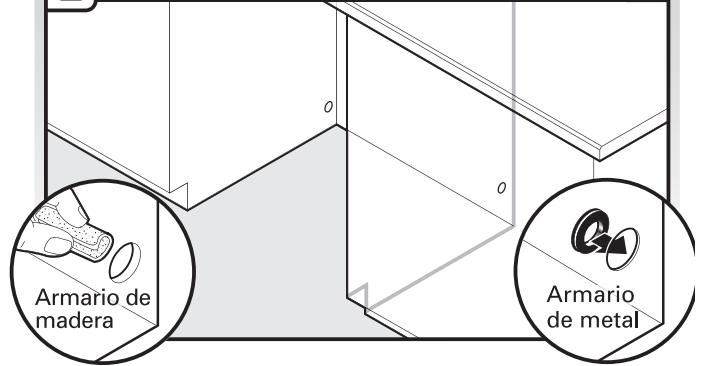
Consejo útil: Será más fácil conectar la lavavajillas si dirige el cable dentro de la abertura del armario desde el lado derecho.

1 Cable directo – Taladre el orificio



Taladre un orificio de 1 1/2" (3,8 cm) en el lado derecho o posterior del armario. Vea la sección "Dimensiones del producto y de la abertura del armario".

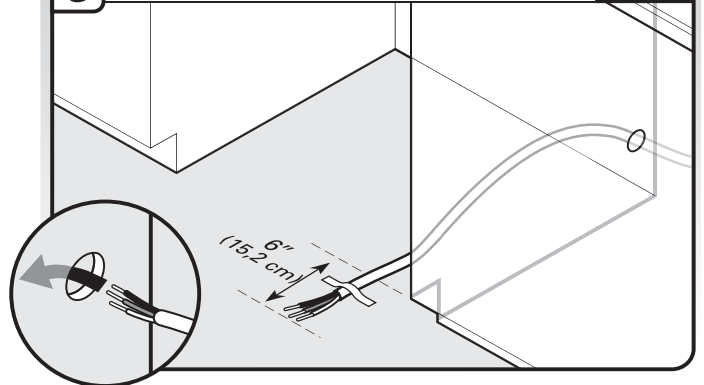
2 Cable directo – Prepare el orificio



Armario de madera: Lije el orificio hasta que quede liso.

Armario de metal: Cubra el orificio con el aro de refuerzo. Vea la sección "Herramientas y piezas" en la primera parte de la guía para obtener detalles de las piezas.

3 Cable directo – Dirija el cable

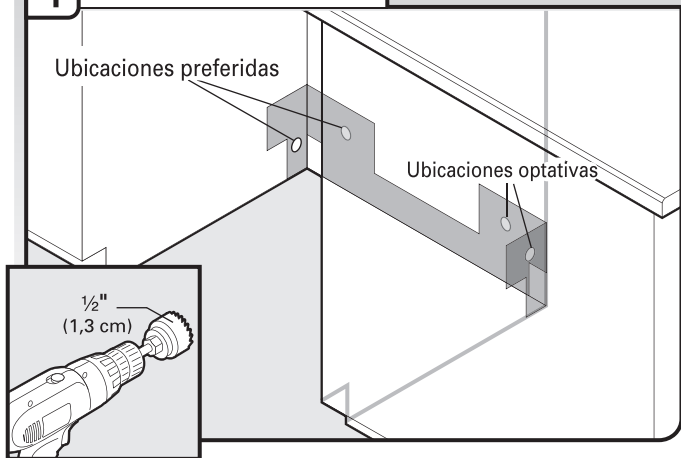


Dirija el cable desde el suministro de energía a través del orificio en el armario (el cable deberá extenderse hacia el lado derecho frontal de la abertura del armario). Pegue el cable al piso con cinta adhesiva en el área mostrada. Esto evitará que el mismo se mueva al colocar la lavavajillas dentro de la abertura del armario.

Prepare y dirija la línea de agua

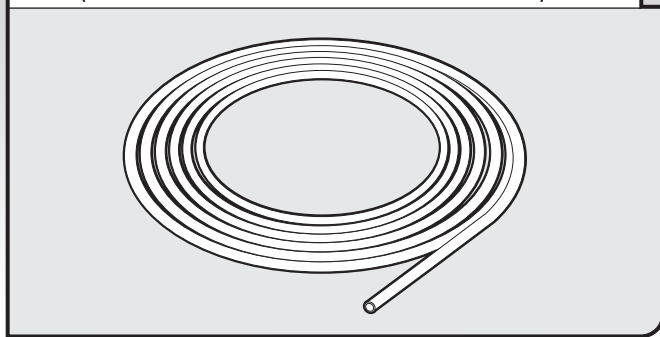
Consejo útil: El dirigir la línea de agua a través del lado izquierdo de la abertura del armario facilitará la conexión del agua.

1 Taladre el orificio



Taladre un orificio de 1/2" (1,3 cm) en la parte lateral o posterior del armario.

2 Mida la línea de suministro de agua (solamente la tubería de cobre)

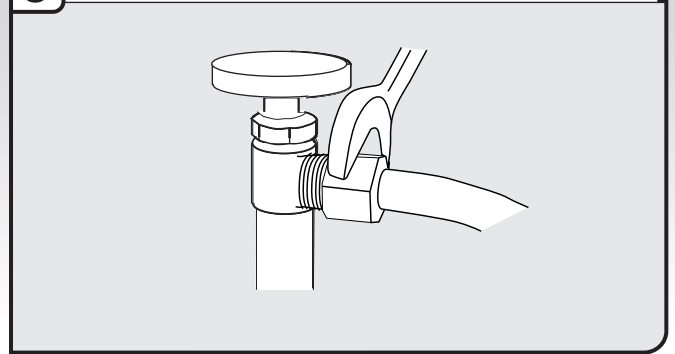


Si va a utilizar una tubería de cobre, mida la longitud total de la tubería de cobre necesaria para alcanzar el suministro de agua, corte este largo y conecte los accesorios de compresión.

Si va a utilizar una línea trenzada flexible, verifique que tenga la longitud adecuada. Vea la sección "Herramientas y piezas" en la primera parte de la guía para obtener detalles de las piezas.

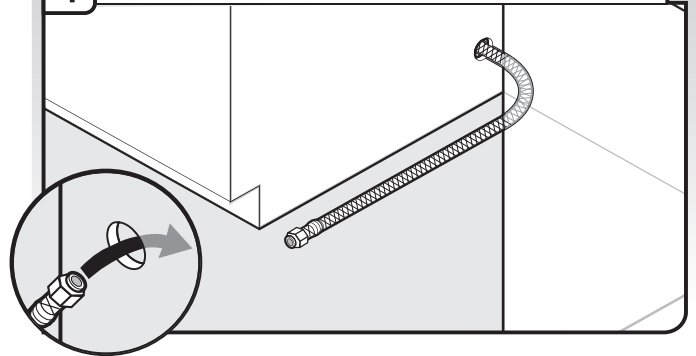
NOTA: Si se usa una manguera trenzada flexible, reemplace la manguera de entrada después de 5 años para reducir el riesgo de que falle. Para consultar en el futuro, anote en la manguera la fecha de instalación o la fecha de reposición de la misma.

3 Sujete la línea de suministro de agua



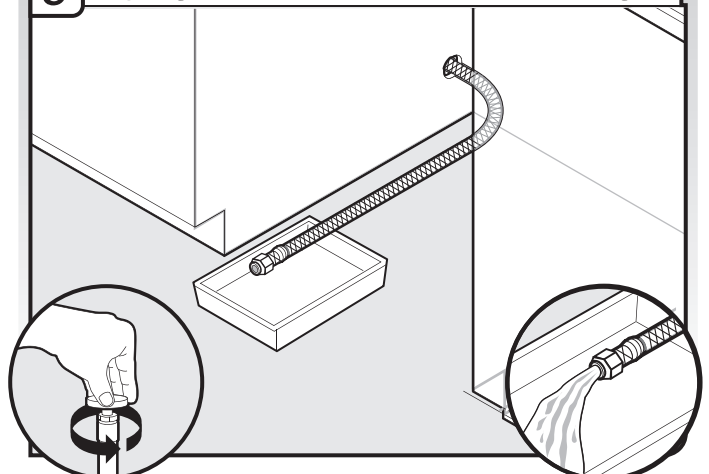
Sujete la línea de suministro de agua (tubería de cobre o línea trenzada flexible de suministro de agua) a la línea de suministro de agua caliente con una configuración de conexión que cumpla con los códigos y ordenanzas locales. El suministro de agua a la lavavajillas deberá tener una válvula de cierre manual ubicada debajo del lavadero.

4 Dirija la línea de suministro de agua



Dirija lentamente la línea de suministro de agua a través del orificio en el armario. (Si va a usar tubería de cobre, se doblará y se torcerá con facilidad, por lo tanto tenga cuidado). Deberá estar lo suficientemente dentro de la abertura en el armario para conectarla a la entrada de la lavavajillas, en el lado izquierdo delantero de la misma.

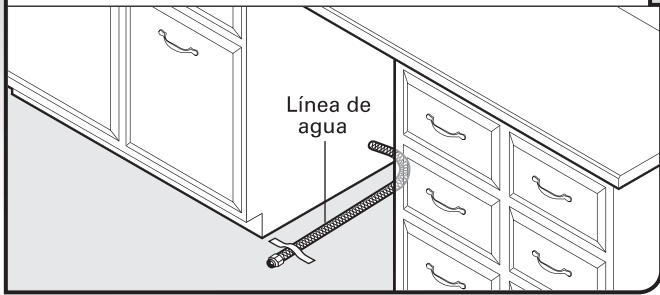
5 Enjuague la línea de suministro de agua



Gire lentamente la válvula de cierre hacia la posición de "ON" (Abierta). Deje salir el agua dentro de un recipiente llano hasta despejar las partículas que pudieran obstruir la válvula de

entrada. Gire la válvula de cierre hacia la posición de "OFF" (Cerrada).

6 Asegure provisoriamente la línea de agua

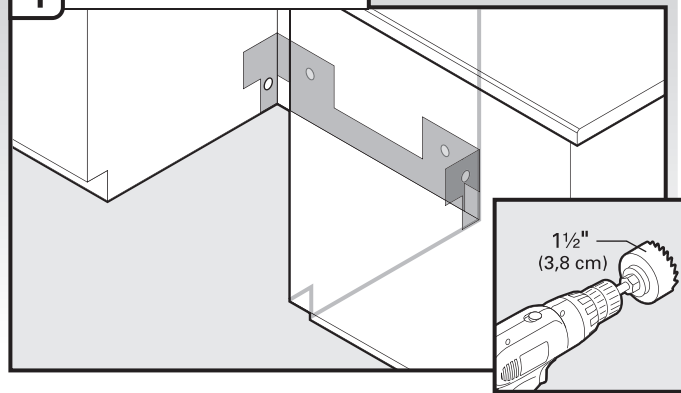


Dirija la línea de agua y péguela al piso con cinta adhesiva en el área mostrada. Esto evitará que la misma se mueva al colocar la lavavajillas dentro de la abertura del armario.

Instalación de la manguera de desagüe

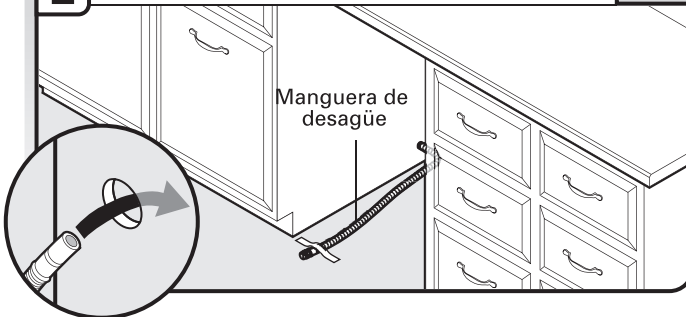
IMPORTANTE: Use siempre una manguera de desagüe nueva. Verifique los códigos locales para determinar si es necesaria una purga de aire.

1 Taladre el orificio



Si es necesario, taladre un orificio de 1 1/2" (3,8 cm) de diámetro en la pared del armario o en el lado de la abertura que esté más cerca del fregadero.

2 Dirija la manguera de desagüe



Dirija la manguera de desagüe como se muestra a través del orificio en el armario, hacia la parte central frontal de la abertura, en donde se hará la conexión del desagüe. Pegue la manguera de desagüe al piso con cinta adhesiva en el área mostrada. Esto evitará que la misma se mueva al colocar la lavavajillas dentro de la abertura del armario.

3 Conecte la manguera de desagüe

Conecte la manguera de desagüe al tubo de desperdicios en "T" o al recipiente de desechos usando una de las siguientes opciones:

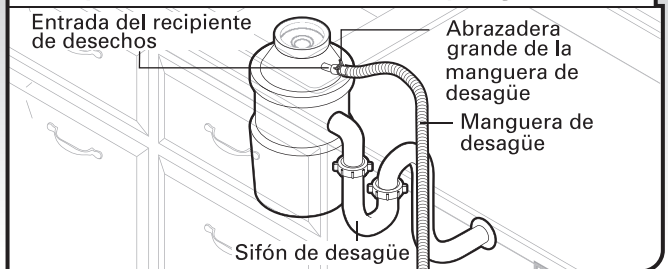
- Opción A, con recipiente de desechos – sin purga de aire
- Opción B, sin recipiente de desechos – sin purga de aire
- Opción C, con recipiente de desechos – con purga de aire
- Opción D, sin recipiente de desechos – con purga de aire

IMPORTANTE: Deberá hacerse la conexión de la manguera de desagüe del recipiente de desechos o del tubo de desperdicios en "T" antes del sifón de desagüe y por lo menos a 20" (50,8 cm) por encima del piso en donde se instalará la lavavajillas.

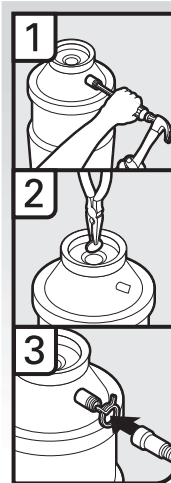
Consejo útil: Para reducir la vibración de la manguera, manténgala lejos del piso.

Opción A, con recipiente de desechos – sin purga de aire

Recipiente de desechos - sin purga de aire

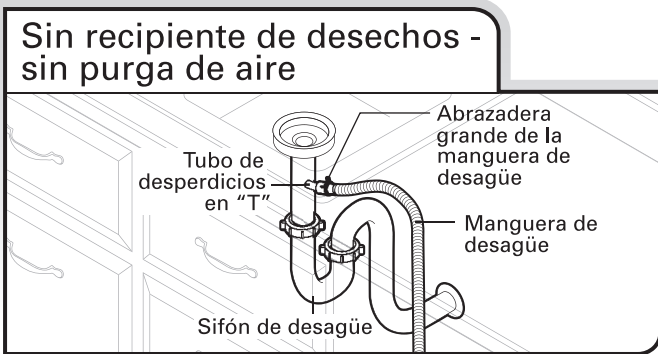


Consejo útil: Quite el tapón de vacío del recipiente de desechos.



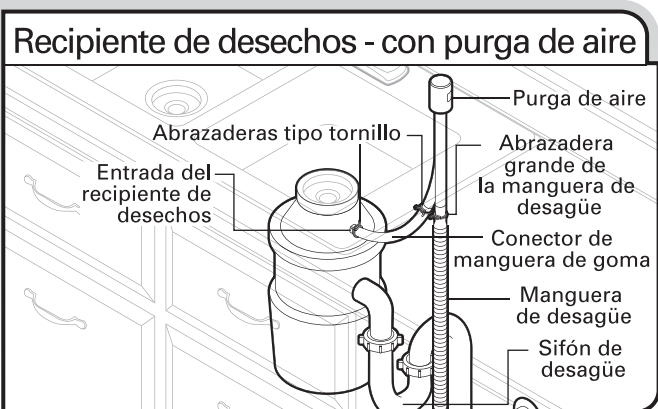
1. Golpee el tapón dentro del recipiente de desechos con un martillo y un destornillador.
2. Use alicates de punta fina para quitar el tapón.
3. Sujete la manguera de desagüe a la entrada del recipiente de desechos con la abrazadera grande de la manguera de desagüe (provista). Use pinzas para abrir la abrazadera y moverla hacia su posición.

Opción B, sin recipiente de desechos – sin purga de aire



1. Conecte el extremo de goma de la manguera de desagüe al tubo de desperdicios en "T" y córtela si fuera necesario.
NOTA: No corte la sección en relieve.
2. Sujete el extremo de goma de la manguera de desagüe al tubo de desperdicios en "T" con una abrazadera grande de la manguera de desagüe (provista). Use pinzas para abrir la abrazadera y moverla hacia su posición. Si se cortó la manguera de desagüe, use una abrazadera tipo tornillo de 1½" a 2" (3,8 a 5 cm) (no provista).

Opción C, con recipiente de desechos – con purga de aire

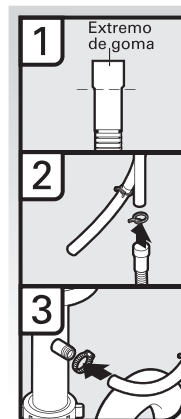
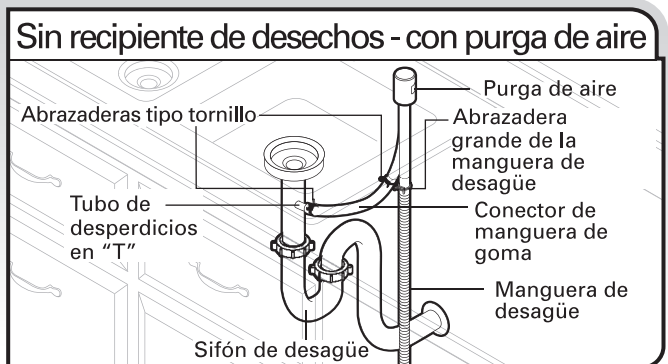


Consejo útil: Quite el tapón de vacío del recipiente de desechos.



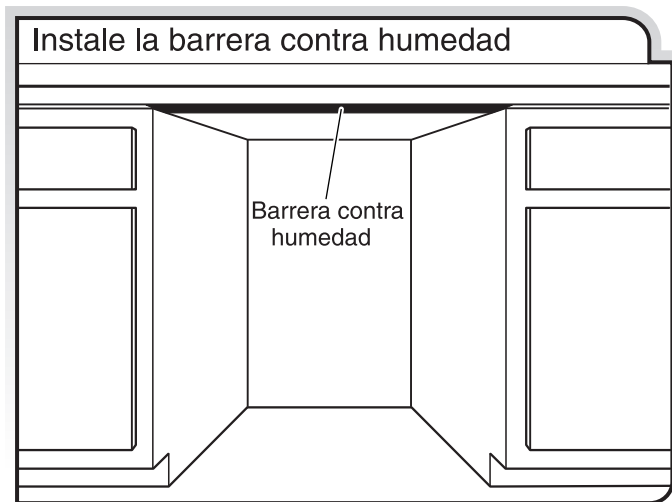
1. Golpee el tapón dentro del recipiente de desechos con un martillo y un destornillador.
2. Use alicates de punta fina para quitar el tapón.
3. Conecte el extremo de goma de la manguera de desagüe a la purga de aire y córtela si fuera necesario.
NOTA: No corte la parte en relieve.
4. Sujete la manguera de desagüe a la purga de aire con la abrazadera grande de la manguera de desagüe (provista). Use pinzas para abrir la abrazadera y moverla hacia su posición. Si se cortó la manguera de desagüe, use una abrazadera tipo tornillo de 1½" a 2" (3,8 a 5 cm) (no provista).
5. Use una manguera de goma (no provista) con las abrazaderas tipo tornillo (no provistas) para conectarlas desde la purga de aire hasta la entrada del recipiente de desechos.

Opción D, sin recipiente de desechos – con purga de aire



1. Conecte el extremo de goma de la manguera de desagüe a la purga de aire y córtela si fuera necesario.
NOTA: No corte la sección en relieve.
2. Sujete la manguera de desagüe a la purga de aire con la abrazadera grande de la manguera de desagüe (provista). Use pinzas para abrir la abrazadera y moverla hacia su posición. Si se cortó la manguera de desagüe, use una abrazadera tipo tornillo de 1½" a 2" (3,8 a 5 cm) (no provista).
3. Use una manguera de goma (no provista) con las abrazaderas tipo tornillo (no provistas) para conectarlas desde el tubo de desperdicios en "T" hasta la purga de aire.

Instale la barrera contra humedad (opcional)



Vea la sección "Herramientas y piezas" en la primera parte de la guía para obtener detalles de las piezas.

1. Compruebe que el área que está debajo del armario se encuentre limpia y seca para instalar la barrera contra humedad.
2. Quite el reverso de la barrera contra humedad y aplique sobre la parte inferior del mostrador a lo largo del borde frontal.

Prepare la lavavajillas

⚠ ADVERTENCIA



Peligro de Vuelco

No use la lavavajillas antes de estar completamente instalada.

No se apoye en la puerta abierta.

No seguir estas instrucciones puede ocasionar heridas serias o cortaduras.

⚠ ADVERTENCIA

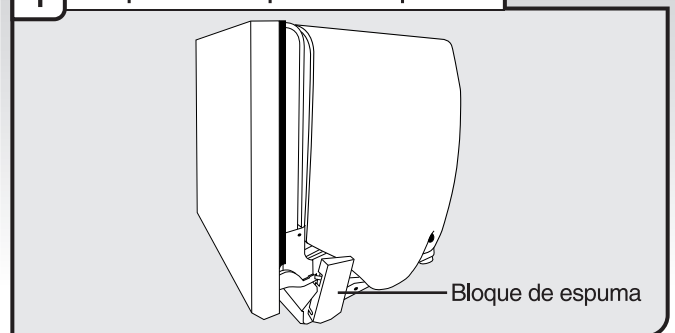
Peligro de Peso Excesivo

Use dos o más personas para mover e instalar la lavavajillas.

No seguir esta instrucción puede ocasionar una lesión en la espalda u otro tipo de lesiones.

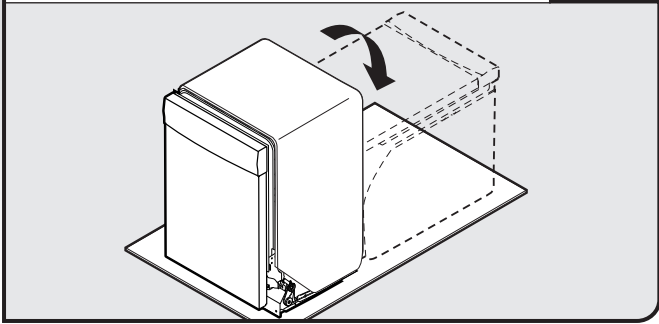
Consejo útil: Coloque un cartón debajo de la lavavajillas y no lo quite hasta que la misma quede instalada en la abertura del armario para evitar daños al revestimiento del piso.

1 Saque el bloque de espuma



Quite y deseche los bloques de espuma (si tiene bloques, no todos los modelos los tienen) ubicados arriba de las patas frontales a cada lado de la lavavajillas. Los bloques cubren las poleas de cable/cadena en la lavavajillas.

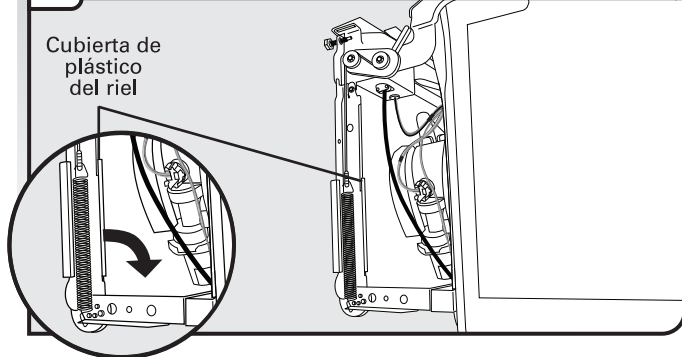
2 Coloque la lavavajillas sobre su lado posterior



Con la ayuda de dos o más personas, agarre los laterales del marco de la puerta de la lavavajillas y coloque la lavavajillas sobre su parte posterior.

Antes de usar el panel de la puerta como una mesa de trabajo, cúbralo con una toalla para evitar rayaduras en el mismo.

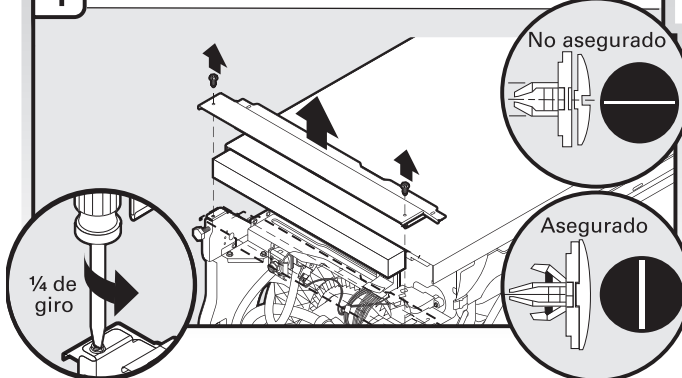
3 Quite la cubierta de plástico del riel



Quite y deseche la cubierta de plástico del riel a cada lado del marco de la lavavajillas. Para quitar la cubierta de plástico del riel, empuje hacia arriba y hacia atrás para desengancharla del marco de la lavavajillas.

Opción A, quite el panel de acceso: panel de plástico

4 Quite el panel y los sujetadores

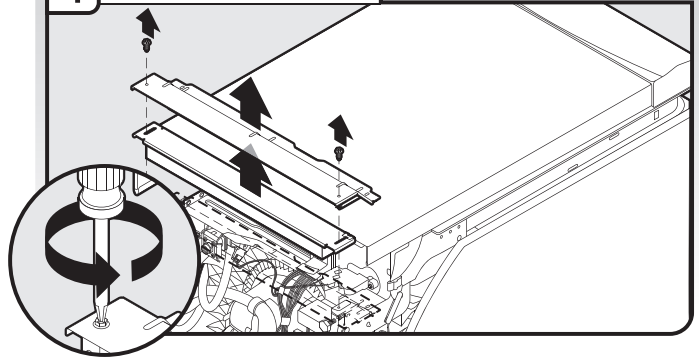


Usando una llave de tuercas de $\frac{1}{4}$ " o un destornillador Phillips, quite los 2 tornillos que sujetan el panel de acceso y el panel inferior a la lavavajillas.

No quite la hoja técnica del panel de acceso..

Opción B, quite el panel de acceso: panel de metal

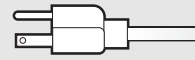

4 Quite los paneles



Usando una llave de tuercas de $\frac{1}{4}$ " o un destornillador Phillips, quite los 2 tornillos que sujetan el panel de acceso y el panel inferior a la lavavajillas.

No quite la hoja técnica del panel de acceso.

¿Qué tipo de conexión eléctrica va a usar?

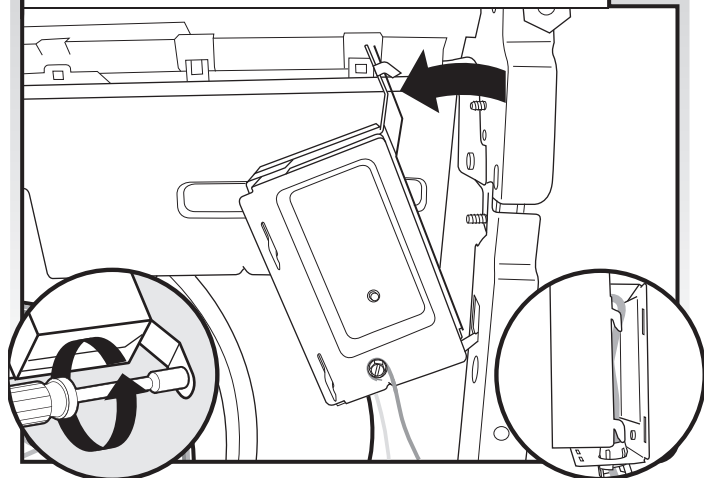
-  Cable de suministro eléctrico:
Siga las instrucciones de la Opción A
-  Cable directo:
Siga las instrucciones de la Opción B

NOTA: Si usa la Opción B, proceda con "Cómo determinar la abertura del armario" para continuar con el resto de la instalación de la lavavajillas antes de hacer la conexión del cable directo.

Conexión del cable eléctrico

Opción A, cable eléctrico:

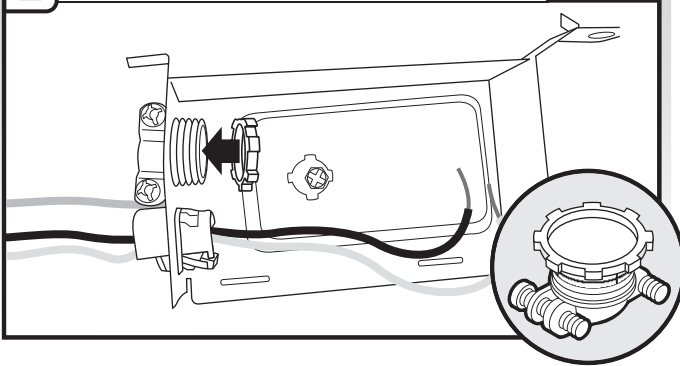
1 Quite la caja de terminales y la cubierta



No desconecte los cables verde, negro o blanco de la lavavajillas que ya están sujetos a la caja de terminales. Estos cables deben tener una longitud adecuada para jalar y quitar la caja de terminales de la parte inferior de la lavavajillas en caso de que

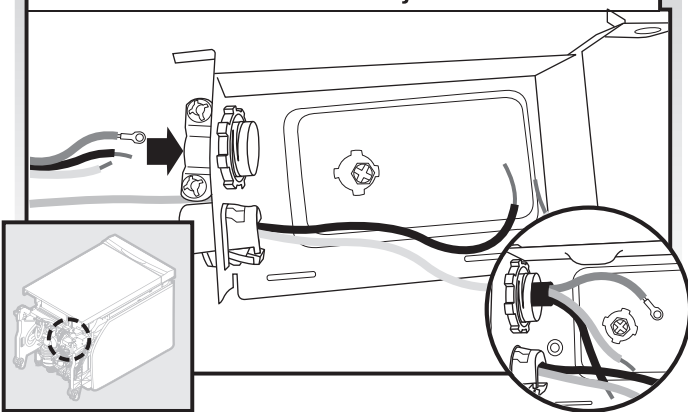
levante hacia afuera los cables de los sujetadores cercanos o los componentes que se usan para mantenerlos alejados del piso. Use una llave de tuercas de 1/4 " o una llave de cubo de cabeza hexagonal de 1/4 " para quitar el tornillo que sostiene la caja de terminales a los refuerzos transversales. Luego, incline la caja de terminales, libere la lengüeta y levante la caja de terminales para quitarla de la barra transversal. Quite la cubierta deslizándola hacia arriba y levantando los ganchos para quitarlos de las ranuras. Guarde la cubierta para usarla más tarde.

2 Instale el protector de cables



Instale un protector de cables metálico que esté en la lista de UL y aprobado por CSA. Asegúrese de que las cabezas de los tornillos miren hacia arriba cuando apriete la tuerca del conducto. Se provee un protector de cables con el juego de cable eléctrico. Vea la sección "Herramientas y piezas" en la primera parte de la guía para obtener detalles de las piezas y pedidos.

3 Cable de suministro – Dirija el cable dentro de la caja de terminales



Dirija el cable de manera que no toque el motor de la lavavajillas o la parte inferior de la tina de la misma. Jale el cable a través del protector de cables en la caja de terminales.

Nota: En la caja de terminales, se permiten como máximo dos conductores de alambres de suministro eléctrico (el tamaño más grande de 12 AWG) y un conductor para la conexión a tierra.

⚠ ADVERTENCIA



Peligro de Choque Eléctrico

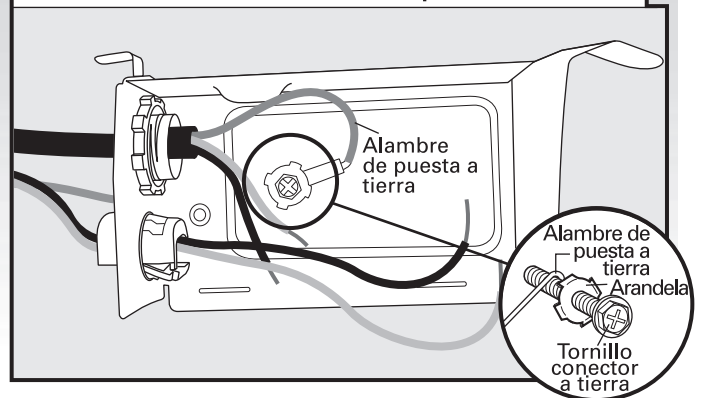
Conecte a tierra la lavavajillas.

Conecte el alambre de conexión a tierra al conector verde de conexión a tierra en la caja de terminales.

No use un cable eléctrico de extensión.

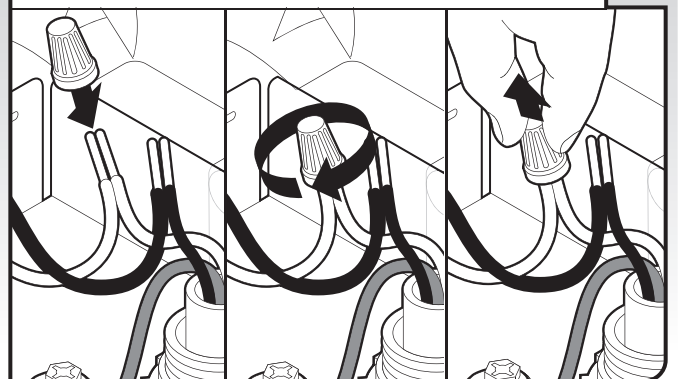
No seguir estas instrucciones puede ocasionar la muerte, incendio o choque eléctrico.

4 Cable de suministro eléctrico - Conecte el alambre de puesta a tierra



Quite el tornillo conector a tierra en el piso elevado dentro de la caja y colóquelo a través del terminal de anillo del cable a tierra verde del cable eléctrico. Vuelva a sujetar y apriete el tornillo del conector a tierra al piso elevado de la caja.

5 Cable de suministro eléctrico – Conecte los alambres restantes



Seleccione conectores de alambre de rosca del tamaño adecuado que estén en la lista de UL y aprobados por CSA. Vea la sección "Herramientas y piezas" en la primera parte de la guía para obtener detalles de las piezas. Conecte los cables negro con negro y blanco con blanco, usando los conectores de alambre de rosca.

NOTA: No enrosque el alambre trenzado previamente. Enrosque el conector de alambre. Jale levemente los cables para asegurarse de que ambos estén firmes.

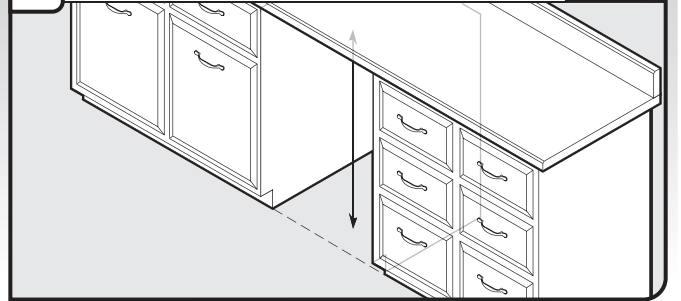
Configuración del cableado

Cable de suministro eléctrico:	←→	Alambre de la caja de terminales:
blanco		blanco
negro		negro
alambre de puesta a tierra	←→	conector de puesta a tierra

Una vez que la caja de terminales se ha vuelto a colocar en la lavavajillas, debería haber un exceso en el largo o en la holgura de los cables verde, negro y blanco que salen de la lavavajillas hacia la caja de terminales. Enrolle estos cables sobre los componentes cercanos o sujételos nuevamente dentro de los sujetadores cercanos a través de los cuales fueron dirigidos antes de quitar la caja para ayudar a mantenerlos alejados del piso.

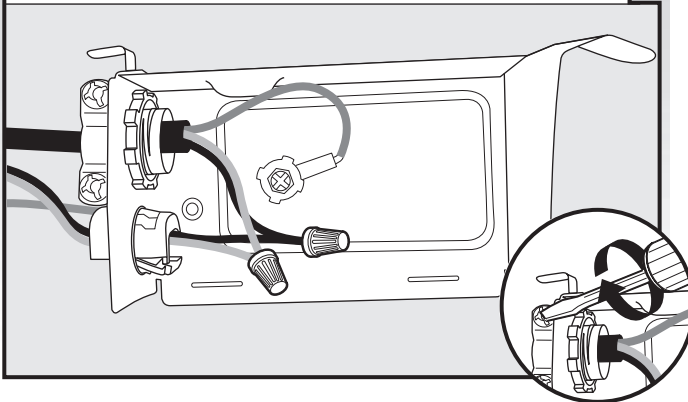
Cómo determinar la abertura del armario

1 Mida la abertura del armario



Mida la altura de la abertura del armario desde debajo del mostrador hasta el piso en donde se va a instalar la lavavajillas (deberá medir el punto más bajo por debajo del mostrador y el punto más alto sobre el piso). Consulte el "Cuadro de ajuste de la altura de la lavavajillas" para ver la posición de las ruedas y la altura de las patas frontales necesaria para lograr la altura de abertura de su armario.

6 Cable de suministro – Asegure el cable sobre el protector de cables

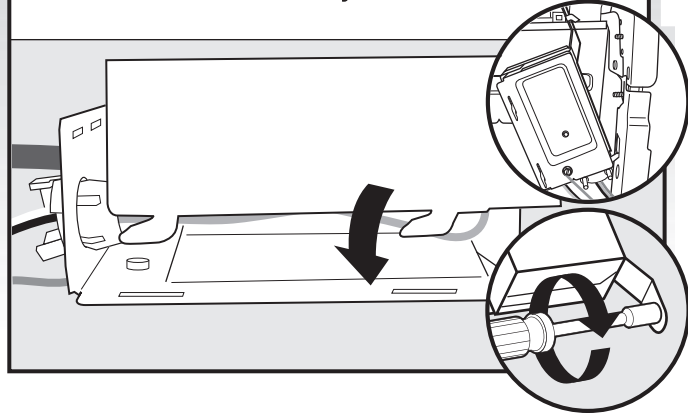


Apriete los tornillos del protector de cables para asegurar el cable.

Cuadro de ajuste de la altura de la lavavajillas

Altura de la abertura del armario	Altura de las patas frontales	Posición de las ruedas	Manta aislante
33½" (85,1 mm)	¾" (9,8 mm)	Quitada	Cortar
34" (86,4 cm)	7/8" (22 mm)	1	No Cortar
34¼" (87,0 cm)	1" (25 mm)	2	No Cortar
34½" (87,6 cm)	1 1/8" (28,8 mm)	3	No Cortar

7 Cable de suministro – Vuelva a instalar la cubierta de la caja de terminales

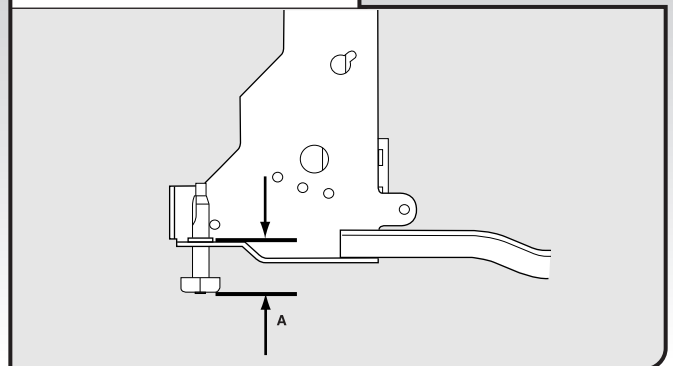


Coloque los alambres dentro de la caja de terminales. Para volver a colocar la cubierta, introduzca los ganchos de la cubierta de los terminales en las ranuras del piso de la caja de terminales, deslice la cubierta y apriétela contra la pared posterior donde ingresan los alambres. Cerciñese de que los alambres queden dentro de la caja y no sean aplastados por la cubierta.

Luego, vuelva a colocar la caja de terminales en la barra transversal con la lengüeta en su lugar. Use una llave de tuercas de ¼" y el tornillo que se quitó anteriormente para ajustar la caja de terminales a la barra transversal.

NOTA: No la enchufe en el contacto hasta que se le indique.

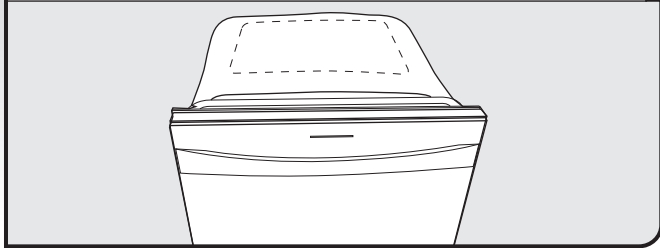
Patas delanteras - A



NOTA: Si la altura mínima de la abertura del armario es menor de 34" (86,4 cm), pueden quitarse las ruedas posteriores para

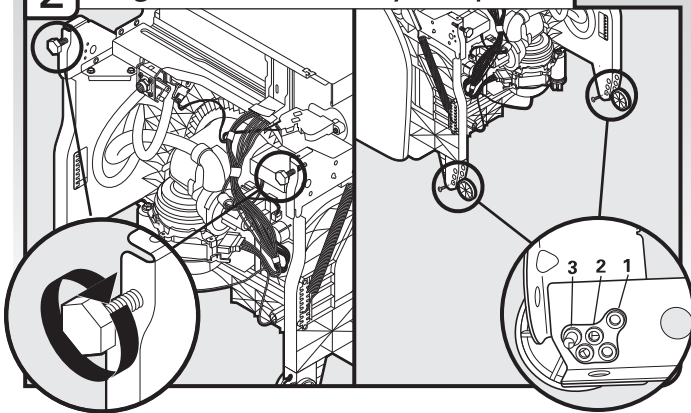
proveer espacio libre adicional. Esto permitirá que la lavavajillas y la sección perforada de la manta aislante encajen en una abertura de armario con una altura de 33½" (85,1 cm), pero será más difícil mover la lavavajillas. Las medidas son aproximadas. Las ruedas y las patas vienen ajustadas de fábrica para 34½" (87,6 cm).

Corte la manta aislante a lo largo de la perforación.



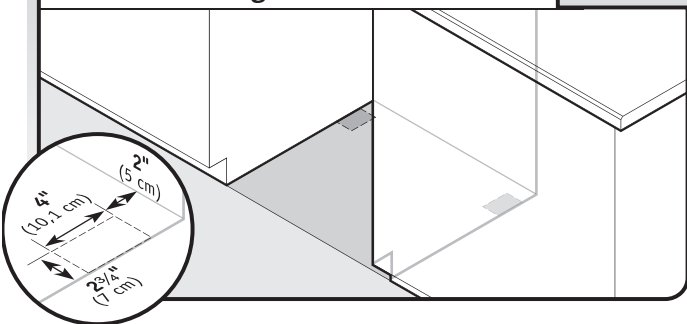
Corte la manta aislante a lo largo de la perforación para la altura de abertura del armario de 33½" (85,1 cm). No la corte para otras alturas de abertura de armarios.

2 Regule las ruedas y las patas



Gire ambas patas niveladoras hasta la misma altura. Coloque las ruedas en la posición requerida determinada en "Cuadro de ajuste de la altura de la lavavajillas".

3 Pisos armados – Agregue calzas según sea necesario

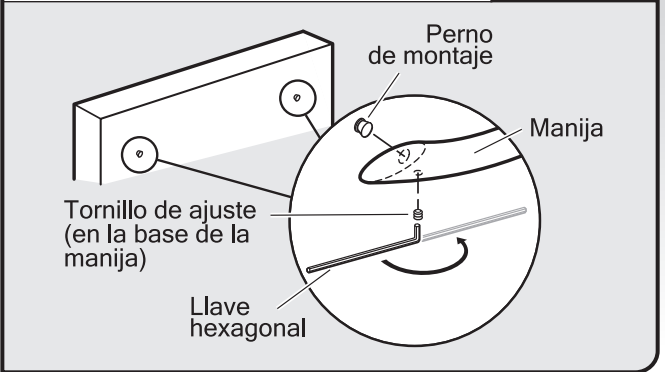


Pisos armados: Si el piso de la cocina está más alto que el piso de la abertura del armario (por ejemplo, si la baldosa del piso de la cocina no llega hasta el interior de la abertura del armario) agregue calzas a medida que sea necesario en el área que se muestra para alzar la lavavajillas hasta 34" (86,4 cm) debajo del mostrador.

NOTA: Las calzas deberán sujetarse al piso con firmeza para evitar el movimiento cuando la lavavajillas esté en uso.

Instalación de la manija de la puerta (en algunos modelos)

Instale la manija de la puerta



IMPORTANTE: No raye el panel delantero durante este procedimiento.

Quite la manija de la puerta y la bolsa con herramientas que contiene los tornillos opresores y la llave hexagonal en L de la caja de cartón. Los tornillos opresores ya han sido instalados en la manija. Coloque la manija sobre los pernos de montaje con los tornillos opresores mirando hacia abajo. Empuje la manija de la puerta con firmeza contra la puerta. Inserte el extremo corto de la llave hexagonal en L dentro de los tornillos opresores. Apriete los tornillos opresores ¼ de vuelta más ajustados.

Conserve la llave hexagonal en L con las instrucciones de instalación.

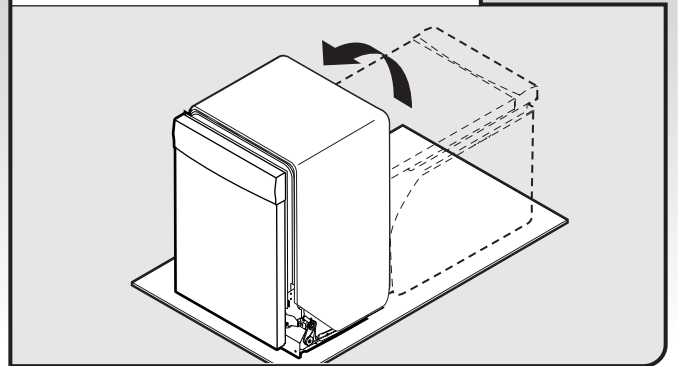
⚠ ADVERTENCIA

Peligro de Peso Excesivo

Use dos o más personas para mover e instalar la lavavajillas.

No seguir esta instrucción puede ocasionar una lesión en la espalda u otro tipo de lesiones.

Ponga la lavavajillas de pie



Con la ayuda de dos o más personas, ponga la lavavajillas en posición vertical.

NOTA: No instale la placa de protección hasta que se le indique.

Instalación del panel a la medida

(Solo para modelos con panel a la medida)

Para la instalación del panel a la medida, consulte la Hoja de instrucciones para la instalación del panel a la medida (pieza número W10750117A). Complete la instalación del panel a la medida antes de pasar a la sección "Elija el modo de sujeción".

Elija el modo de sujeción

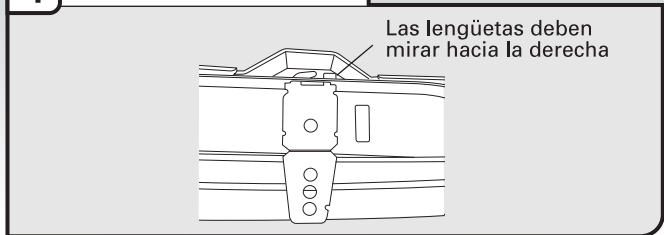
IMPORTANTE: La lavavajillas debe sujetarse al armario. Hay 2 soportes en la bolsa de piezas.

Sujete los soportes a la parte superior de la lavavajillas utilizando la Opción A si el mostrador es de madera, laminado u otra superficie similar.

Si el mostrador está hecho de mármol, granito u otra superficie dura, instale los soportes utilizando la Opción B.

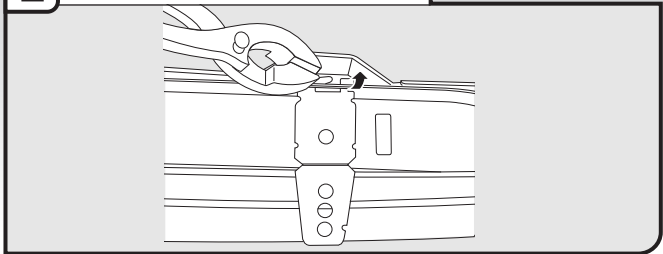
Opción A, Sujeción al mostrador:

1 Inserte el soporte



Quite los soportes del paquete e insértelos en las ranuras abiertas que se encuentran en el lado superior izquierdo y derecho del collar de la lavavajillas, como se muestra.

2 Doble la lengüeta



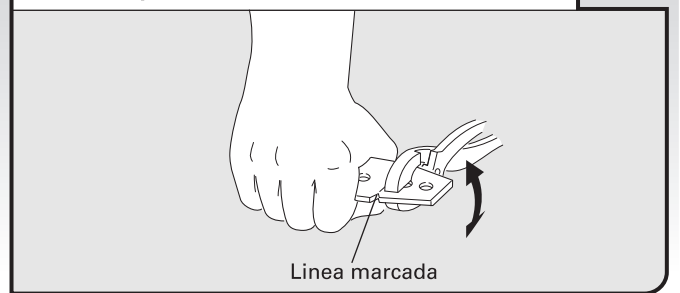
Doble hacia abajo la lengüeta con unas pinzas para asegurar el soporte en su lugar. Repita este paso en el otro lado.

NOTA: No fije la lavavajillas. Esto se hará más tarde.

Opción B, Sujeción lateral de la lavavajillas:

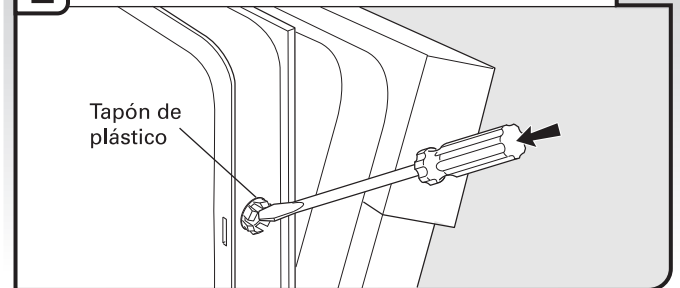
NOTA: Retire los soportes del paquete de piezas.

1 Rompa el extremo del soporte



Rompa el extremo del soporte a lo largo de la línea marcada. Con ayuda de otra persona que sostenga la parte posterior de la lavavajillas para evitar que se voltee, abra la puerta de la lavavajillas y coloque una toalla sobre el ensamble de la bomba y el brazo rociador de la lavavajillas. Esto evitará que se caigan los tornillos en el área de la bomba cuando asegure la lavavajillas al armario.

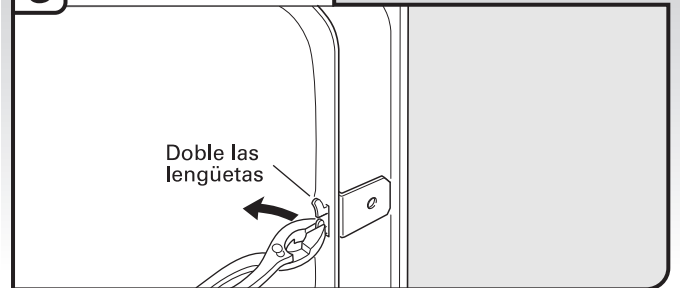
2 Quite los tapones de plástico



Empuje los tapones de plástico para sacarlos del lado de la tina.

NOTA: Guarde los tapones para cubrir los orificios después de haber instalado la lavavajillas.

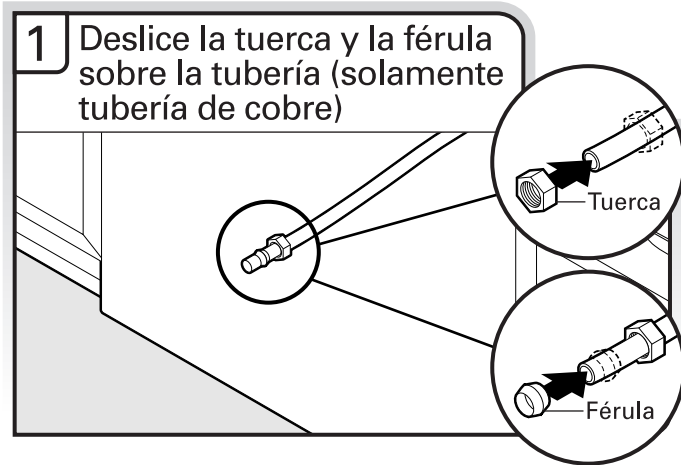
3 Instale el soporte



Empuje el soporte en la ranura al costado de la lavavajillas y doble la lengüeta hacia dentro, hacia el costado de la lavavajillas para mantener el soporte en su lugar. Repita este paso en el otro lado de la lavavajillas.

NOTA: No fije la lavavajillas. Esto se hará más tarde.

Prepare la línea de suministro de agua



Tubería de cobre solamente: Deslice la tuerca y luego la férula aproximadamente 1" (2,5 cm) sobre la tubería de cobre.

NOTA: Para evitar vibraciones durante el funcionamiento, dirija la línea de suministro de agua de modo que no toque la base, el marco o el motor de la lavavajillas.



Consiga un conector a compresión de $\frac{3}{8}$ " x conector de manguera de $\frac{3}{4}$ " con codo de 90°. Vea la sección "Herramientas y piezas" en la primera parte de la guía para obtener detalles de las piezas.

Una el conector a compresión de $\frac{3}{8}$ " del codo de 90° a la línea de suministro de agua antes de instalar la unidad en la abertura del armario. Sujételo de manera que la conexión de $\frac{3}{4}$ " mire hacia arriba, como se muestra.

Tubería de cobre solamente: Coloque la tubería en el codo de 90° hasta donde sea posible (la tubería de cobre se dobla y se retuerce con facilidad). Deslice la tuerca y la férula hacia delante y comience a enroscar la tuerca en la rosca del codo.

Conexión roscada flexible: Asegure la tuerca al codo con una llave de extremo abierto de $\frac{5}{8}$ " o una llave ajustable.

NOTA: No use cinta Teflon®† con los conectores a compresión.

†TEFLON es una marca registrada de E.I. Du Pont De Nemours and Company.

Mueva la lavavajillas cerca de la abertura del armario

⚠ ADVERTENCIA

Peligro de Peso Excesivo

Use dos o más personas para mover e instalar la lavavajillas.

No seguir esta instrucción puede ocasionar una lesión en la espalda u otro tipo de lesiones.



Con la ayuda de dos o más personas, ponga la lavavajillas en posición vertical.

IMPORTANTE: Vuelva a revisar la ubicación correcta de los servicios públicos. Tome la lavavajillas por los lados, en los bordes del panel de la puerta. Incline la lavavajillas hacia atrás sobre las ruedas y muévela cerca de la abertura del armario.

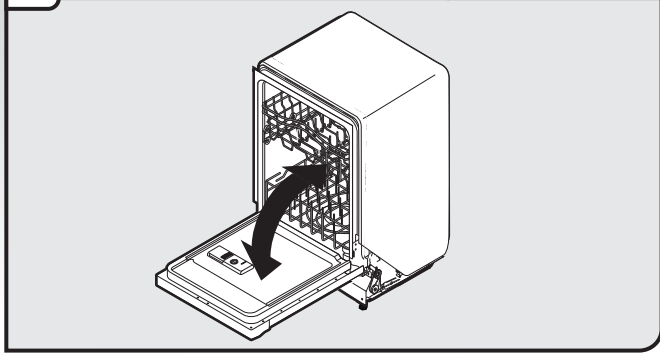
NOTA: No haga presión en el frente del panel ni en la consola, ya que pueden abollarse.

Consejo útil: Pegue con cinta los cables de servicio temporalmente al piso en los lugares mostrados, para evitar que se muevan cuando se mueva la lavavajillas dentro de la abertura del armario.



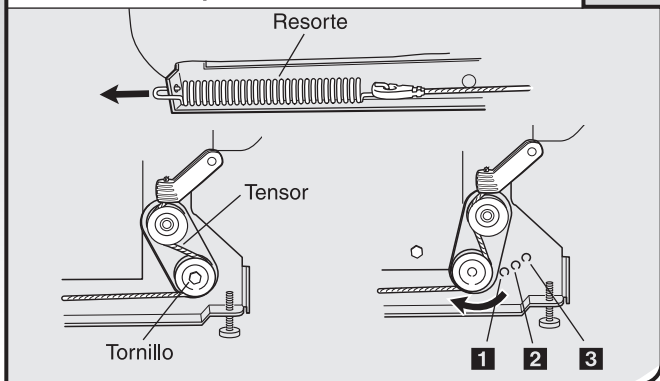
Verifique que la línea de agua esté en el lado izquierdo de la abertura y que la manguera de desagüe esté cerca del centro de la abertura del armario.

3 Abra y cierre la puerta



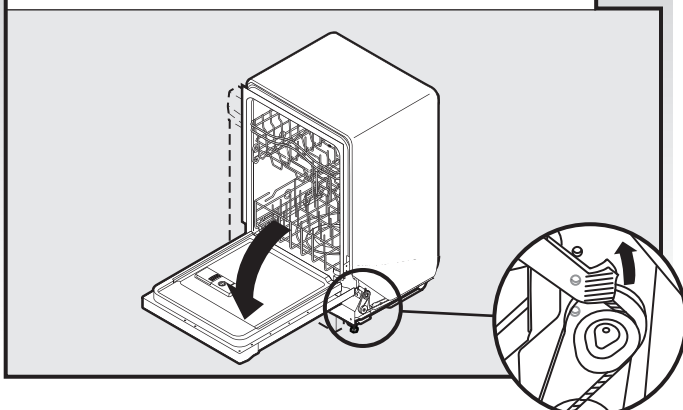
Con otra persona sosteniendo la lavavajillas para evitar que se vuelque, abra y cierre la puerta un par de veces. Si la puerta se cierra o se cae bajo su propio peso, la tensión de la puerta necesitará ser ajustada.

4 Se cierra demasiado rápido – Disminuya la tensión del resorte

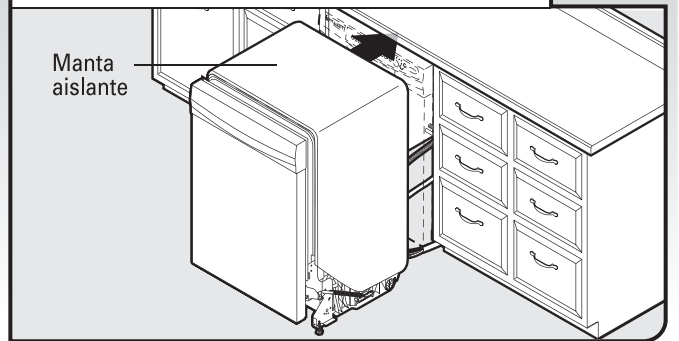


Para regular la tensión del resorte de la puerta, desenganche el resorte de la pata trasera de la lavavajillas. Quite el tornillo del tensor con una llave de tuercas o una llave de cubo hexagonal de 5/16". El tornillo puede colocarse en uno de los tres orificios (1, 2, 3) en la pata delantera de la lavavajillas. Si la puerta se cierra sola, mueva el tensor a un orificio con un número mayor y vuelva a colocar el tornillo. Vuelva a colocar el resorte de la puerta a la pata trasera.

5 La puerta se abre de golpe – Aumente la tensión del resorte



6 Mueva la lavavajillas dentro de la abertura del armario

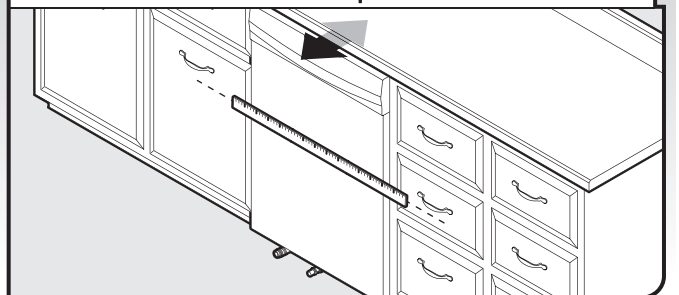


IMPORTANTE: Si se quitaron las ruedas, cubra el piso cuando mueva la lavavajillas para evitar dañarlo. Introduzca lentamente la lavavajillas por completo en la abertura del armario. No retuerza ni apriete la línea de agua, la manguera de desagüe, el cable de suministro eléctrico ni el cable directo entre la lavavajillas y el armario. Quite el cartón que está debajo de la lavavajillas.

NOTAS:

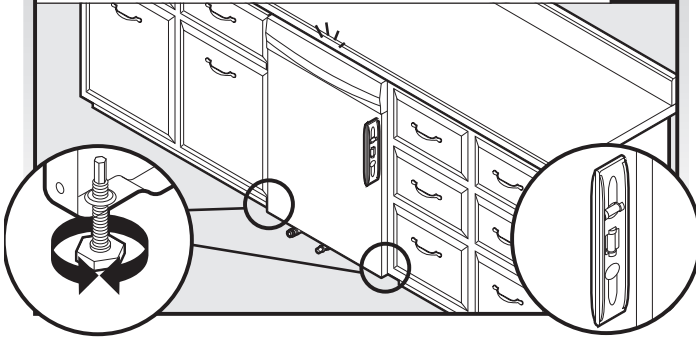
- Es correcto que la lavavajillas encaje ajustada en la abertura del armario. No quite la manta aislante, ya que la misma reduce el nivel de sonido.
- Si usa el cable de suministro, cerciórese de dirigir el extremo a través del orificio en el recorte antes de deslizar la lavavajillas en la abertura del armario.
- Para los modelos con ablandador de agua, cerciórese de que la manguera de desagüe permanezca en el colgador que se encuentra en el lado derecho y que se guarde dentro, al costado de la unidad.

7 Alinee la parte frontal de la lavavajillas con el frente de las puertas del armario



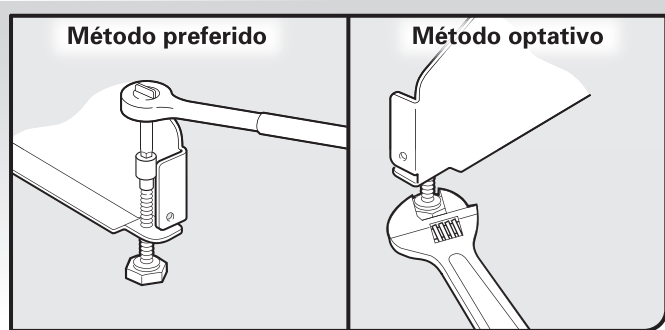
Alinee la parte frontal del panel de la puerta de la lavavajillas con la parte frontal de las puertas del armario. Tal vez necesite ajustar el alineamiento para que quede pareja con los armarios.

8 Verifique la nivelación y regule las patas si es necesario

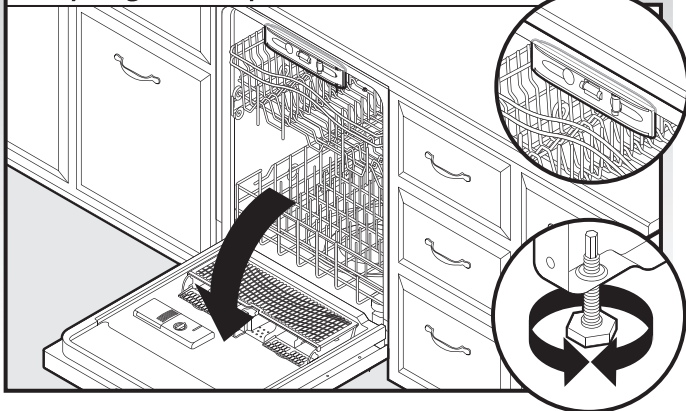


Revise que las patas niveladoras estén firmes contra el piso. Cierre y trabe la puerta y coloque el nivel contra el panel frontal. Verifique que la lavavajillas esté centrada de frente hacia atrás en la abertura. De ser necesario, ajuste la pata niveladora hasta que la lavavajillas esté a plomo. Repita el procedimiento para el otro lado de la lavavajillas.

Consejo útil: Empuje hacia arriba el frente de la lavavajillas para levantarla del piso y regular las patas frontales. En algunas instalaciones, puede resultar más fácil ajustar la pata delantera con una llave de cabeza hexagonal de $\frac{3}{16}$ " o con una llave de tuercas.



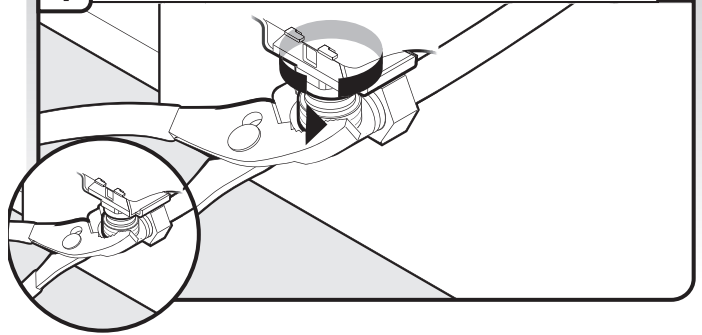
9 Verifique la nivelación de lado a lado y regule las patas si es necesario



Coloque el nivel contra la abertura superior frontal de la tina. Revise que la lavavajillas esté nivelada de lado a lado. Si la lavavajillas no está nivelada, regule las patas delanteras hacia arriba o hacia abajo hasta que la lavavajillas esté nivelada.

Conexión al suministro de agua

1 Apriete el codo de 90° en la válvula

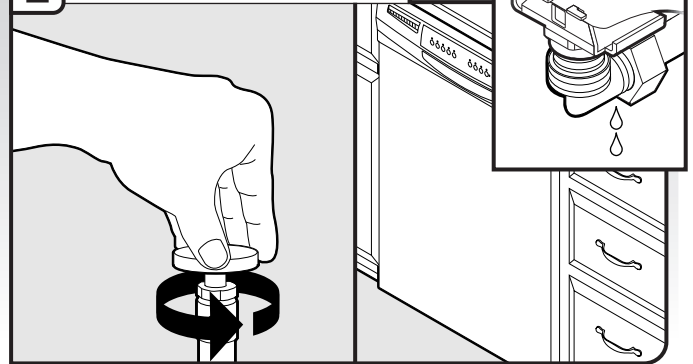


Cerciórese de que la arandela de goma esté encajada debidamente en el conector. Deslice el accesorio de $\frac{3}{4}$ " del codo de 90° hacia arriba hasta la válvula y apriételo a mano para evitar dañar la rosca accidentalmente. Apriete a mano hasta que el acoplamiento quede ajustado.

Usando pinzas, verifique que el acoplamiento esté apretado. Tal vez sea necesario dar $\frac{1}{4}$ a $\frac{1}{2}$ giro adicional para sellar la junta de goma.

NOTA: No apriete demasiado. Se puede dañar el acoplamiento.

2 Revise si hay fugas

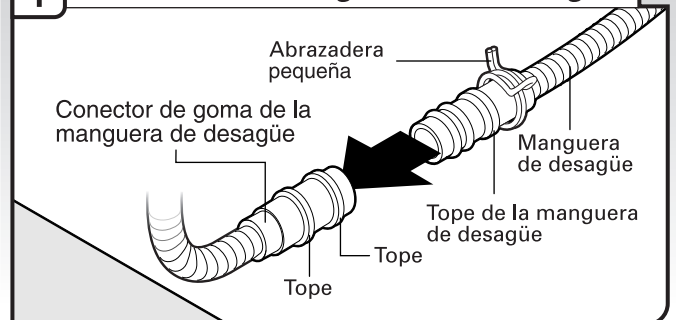


Coloque una toalla de papel debajo del codo de 90°. Abra la llave de suministro de agua y revise si hay fugas. Si hay fugas, repita el paso anterior.

NOTA: No use cinta Teflon® con los conectores a compresión.

Conexión al desagüe

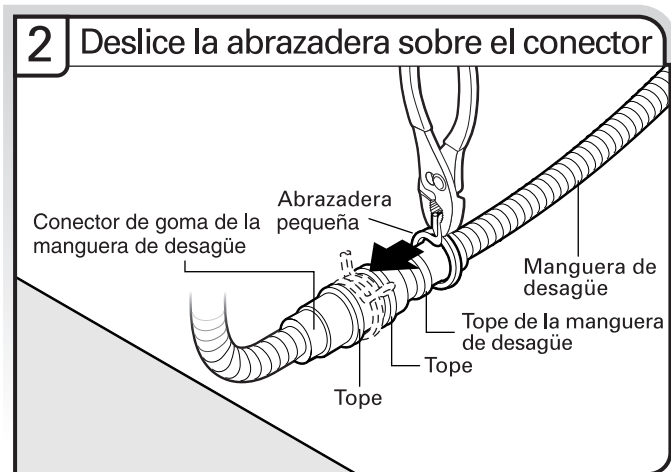
1 Conecte la manguera de desagüe



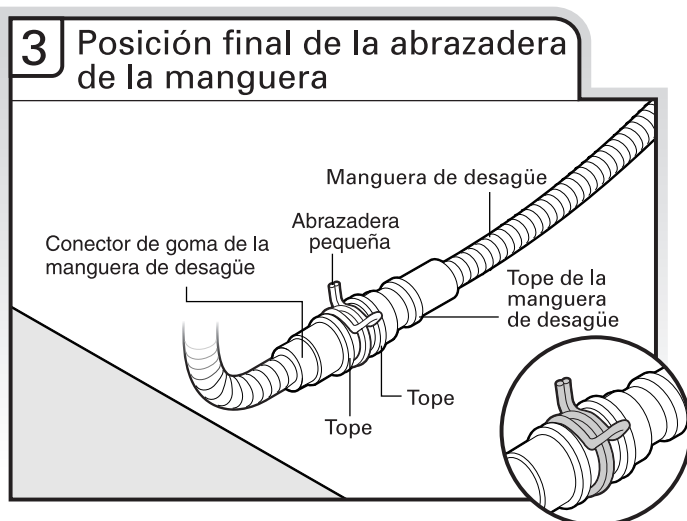
Coloque una toalla debajo de la manguera de desagüe para atrapar el agua que pueda haber quedado en la misma. Coloque la abrazadera pequeña para manguera de desagüe en el extremo

†®TEFLON es una marca registrada de E.I. Du Pont De Nemours and Company.

pequeño de la manguera de desagüe. Empuje la manguera de desagüe nueva dentro del conector de goma de la manguera de desagüe, hasta el tope de la manguera de desagüe.



Usando pinzas, apriete la abrazadera pequeña de la manguera de desagüe para abrirla y deslícela hacia el conector, entre los topes.

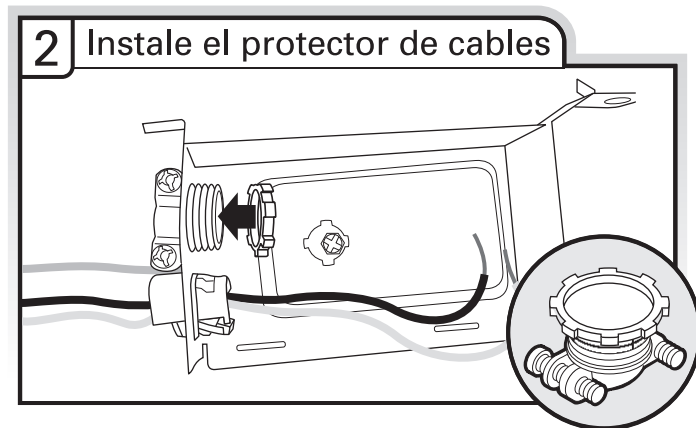
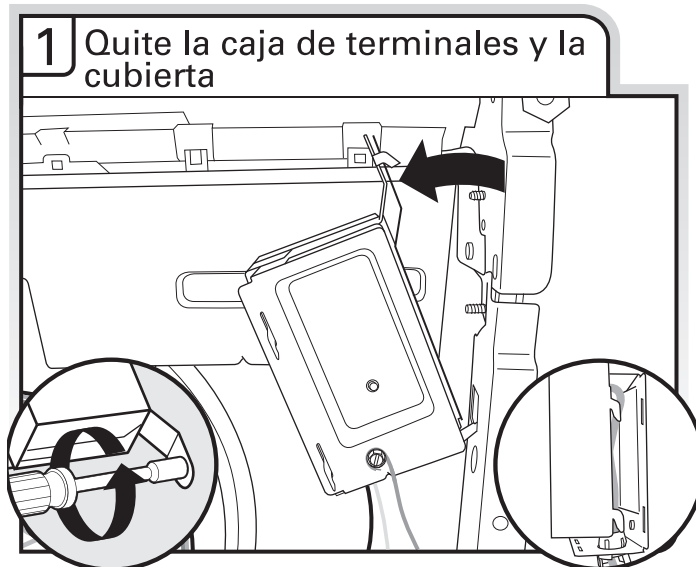


Saque la toalla después de haber conectado la manguera.

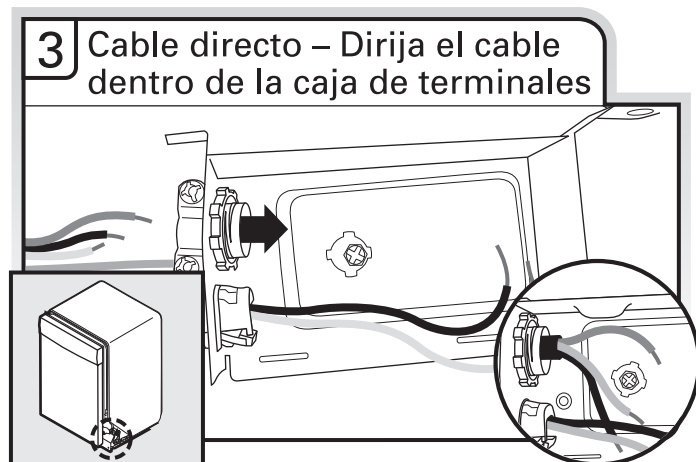
Conexión eléctrica por cable directo

NOTA: Si se conectó anteriormente el cable eléctrico, proceda con la sección "Asegure la lavavajillas en la abertura del armario".

Opción B, cable directo



Instale un protector de cables metálico que esté en la lista de UL y aprobado por CSA. Vea la sección "Herramientas y piezas" en la primera parte de la guía para obtener detalles de las piezas y pedidos.



Dirija el cable de manera que no toque el motor de la lavavajillas ni la parte inferior de la tina de la misma. Jale el cable a través del protector de cables que está en la lista de UL y aprobado por CSA dentro de la caja de terminales.

NOTA: En la caja de terminales, se permiten como máximo dos conductores de alambres de suministro en campo (el tamaño más grande de 12 AWG) y un conductor para la conexión a tierra.

⚠ ADVERTENCIA



Peligro de Choque Eléctrico

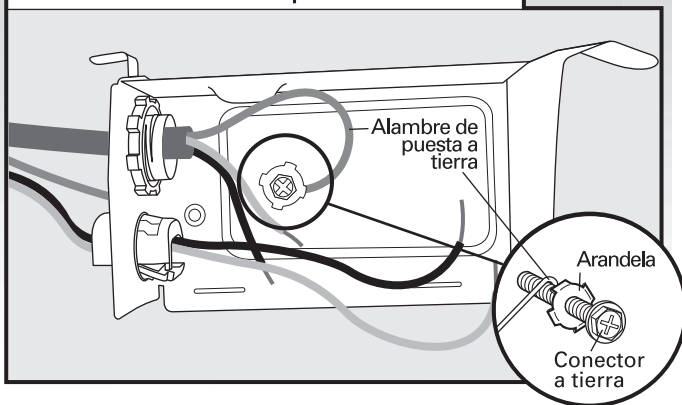
Conecte a tierra la lavavajillas.

Conecte el alambre de conexión a tierra al conector verde de conexión a tierra en la caja de terminales.

No use un cable eléctrico de extensión.

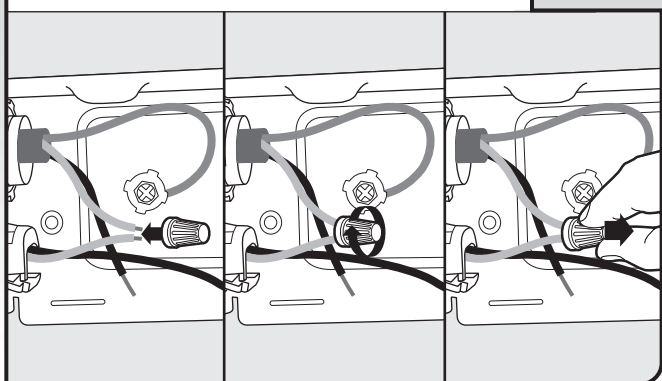
No seguir estas instrucciones puede ocasionar la muerte, incendio o choque eléctrico.

4 Cable directo - Conecte el alambre de puesta a tierra



Haga un gancho en forma de "U" con el alambre a tierra desnudo. Enrolle el gancho de alambre a tierra en forma de gancho hacia la derecha, alrededor del tornillo del conector a tierra en el piso levantado dentro de la caja y debajo de la arandela. Apriete el conector de puesta a tierra con firmeza.

5 Cable directo - Conecte los alambres restantes



Seleccione conectores de alambre de rosca del tamaño adecuado que estén en la lista de UL y aprobados por CSA. Vea la sección "Herramientas y piezas" en la primera parte de la guía

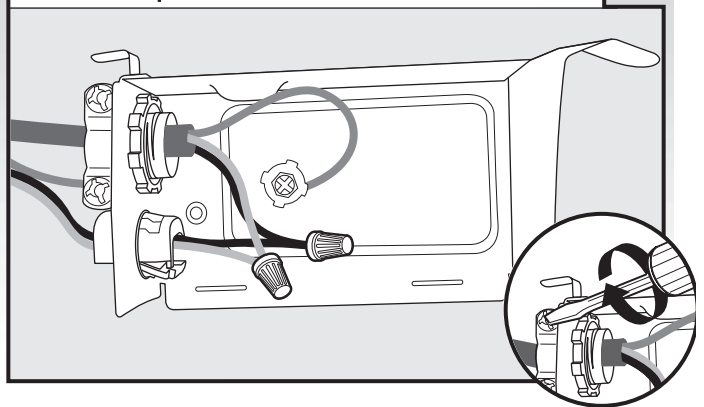
para obtener detalles de las piezas. Conecte los cables negro con negro y blanco con blanco, usando los conectores de alambre de rosca.

NOTA: No enrosque el alambre trenzado previamente. Enrosque el conector de alambre. Jale levemente los cables para asegurarse de que ambos estén firmes.

Configuración del cableado

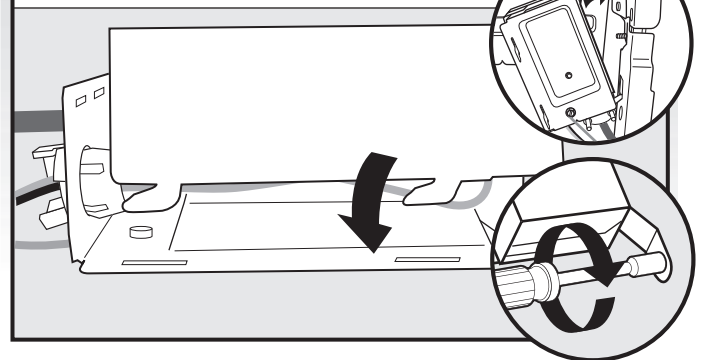
Cable de suministro eléctrico:		Alambre de la caja de terminales:
blanco	←→	blanco
negro	←→	negro
alambre de puesta a tierra	←→	conector de puesta a tierra

6 Cable directo - Asegure el cable en el protector de cables



Apriete los tornillos del protector de cables para asegurar el cable. Asegúrese de que las cabezas de los tornillos miren hacia arriba cuando apriete la tuerca del conducto.

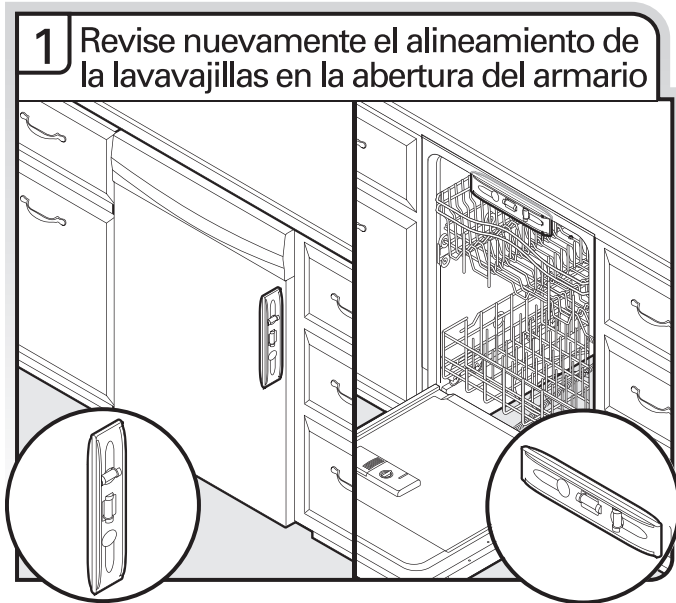
7 Cable directo - Vuelva a instalar la cubierta de la caja de terminales



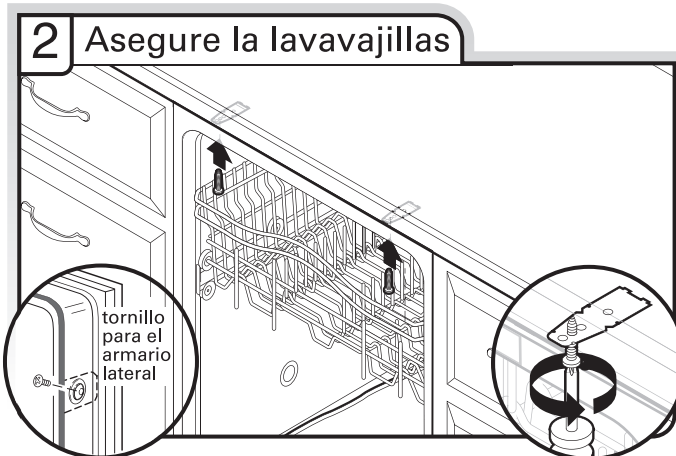
Coloque los alambres dentro de la caja de terminales. Para volver a colocar la cubierta, introduzca los ganchos de la cubierta de los terminales en las ranuras del piso de la caja de terminales, deslice la cubierta y apriétela contra la pared posterior donde ingresan los alambres. Cerciérese de que los alambres queden dentro de la caja y no sean aplastados por la cubierta. Luego, vuelva a colocar la caja de terminales en la barra transversal con la lengüeta en su lugar. Use una llave de tuercas de 1/4" y el tornillo que se quitó anteriormente para ajustar la caja de terminales a la barra transversal.

Una vez que la caja de terminales se ha vuelto a colocar en la lavavajillas, debería haber un exceso en el largo o en la holgura de los cables verde, negro y blanco que salen de la lavavajillas hacia la caja de terminales. Enrolle estos cables sobre los componentes cercanos o vuelva a sujetarlos con los sujetadores cercanos a través de los cuales fueron dirigidos antes de quitar la caja para ayudar a mantenerlos alejados del piso.

Asegure la lavavajillas en la abertura del armario



Verifique que la lavavajillas todavía esté nivelada de frente hacia atrás y de lado a lado en la abertura del armario.



Abra la puerta de la lavavajillas a fin de prepararse para asegurarla al armario.

NOTAS:

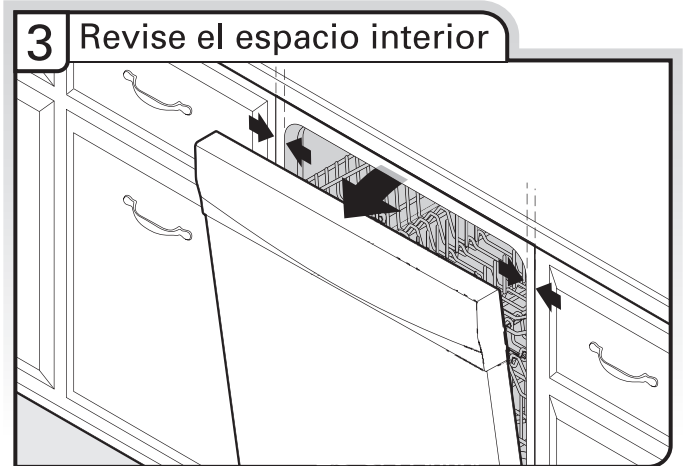
- La lavavajillas deberá estar asegurada para evitar que se mueva cuando se abra la puerta.
- No deje que los tornillos se caigan en el fondo de la lavavajillas.

Opción 1: asegure la lavavajillas al mostrador.

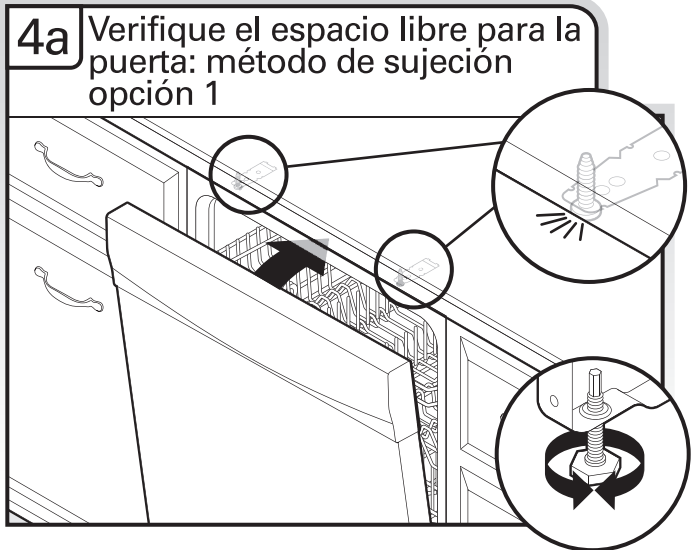
- Ubique los soportes instalados en la parte superior de la lavavajillas (durante el paso “Elija el método de sujeción”).
- Asegure la lavavajillas al mostrador con dos tornillos Phillips N° 10 x 1/2” (incluidos).

Opción 2: monte de forma lateral la lavavajillas al armario.

- Ubique los soportes instalados en la parte lateral de la lavavajillas (durante el paso “Elija el método de sujeción”).
- Taladre orificios pilotos en el armario para evitar que la madera se parta.
- Asegure la lavavajillas al armario con dos tornillos Phillips N° 10 x 1/2” (incluidos).

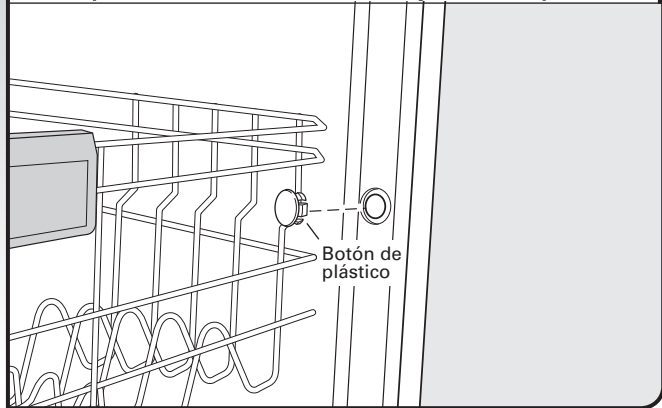


Abra la puerta y verifique que el espacio entre la abertura del armario de la lavavajillas y la tina sea igual en ambos lados. Si los espacios no son iguales, afloje los tornillos del soporte y mueva la tina. Apriete los tornillos del soporte.



Revise que la parte superior de la puerta no haga contacto con los tornillos, los soportes o el mostrador. Si esto sucede, regule las patas niveladoras.

4b Verifique el espacio libre para la puerta: método de sujeción opción 2



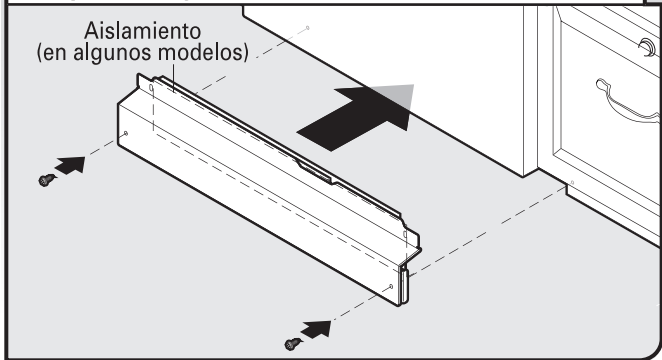
Si opta por una sujeción lateral, verifique que los costados de la puerta no toquen la cabeza de los tornillos. Si es así, se deberá volver a centrar la lavavajillas. Cuando la lavavajillas esté centrada adecuadamente, vuelva a colocar los tapones de plástico.

Complete la instalación

Revise que el alambre o cable de suministro eléctrico no toque el motor de la lavavajillas ni la parte inferior de la tina de la misma.

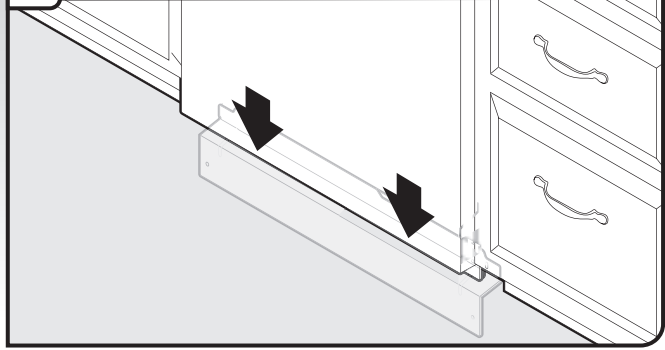
Opción A, instalación del panel de acceso: panel de plástico

1 Vuelva a instalar el panel de acceso y los sujetadores



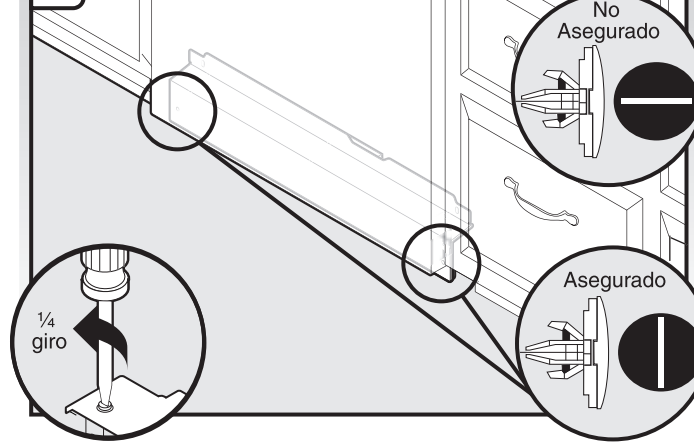
Coloque el panel de acceso de plástico contra la pata de la lavavajillas.

2 Revise el borde del panel de acceso



Revise que el borde inferior del panel de acceso toque el piso. Ajustelo si es necesario.

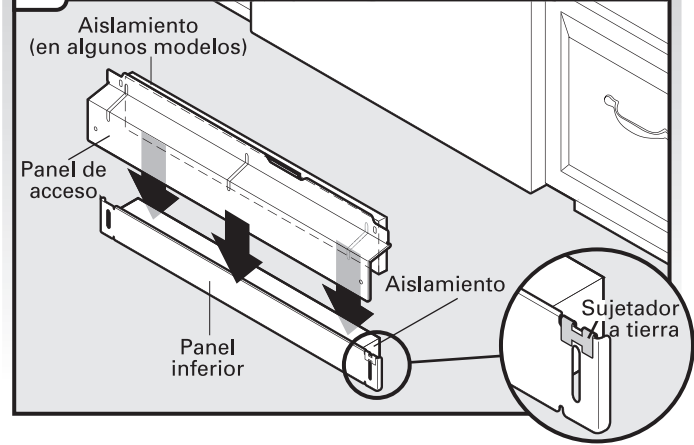
3 Apriete los sujetadores



Con un destornillador de hoja plana, gire los sujetadores 1/4 de vuelta hacia la derecha para asegurarlos en su lugar. La ranura del sujetador estará completamente vertical cuando se asegure correctamente.

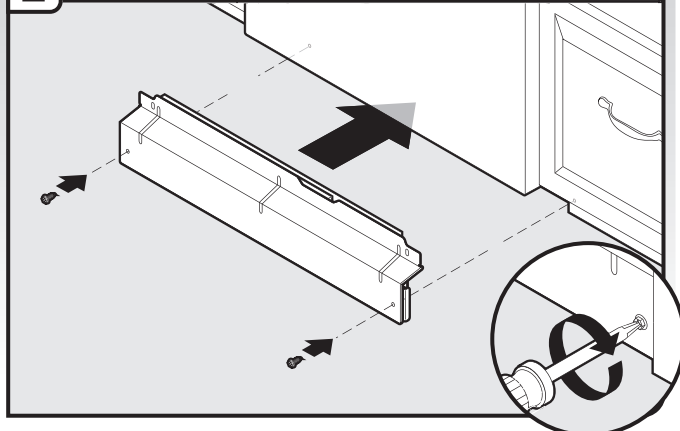
Opción B, instalación del panel de acceso: panel de metal

1 Vuelva a instalar los paneles de acceso



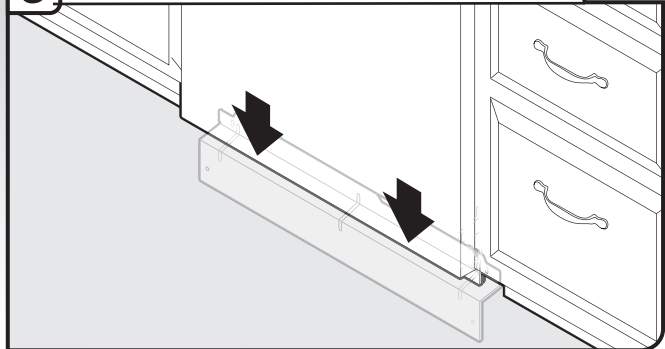
Revise que el sujetador a tierra esté sujeto al panel inferior. Coloque el panel inferior detrás del panel de acceso. En algunos modelos, hay un aislamiento en el panel de acceso, el cual debe quedar detrás del aislamiento en el panel inferior.

2 Vuelva a instalar los paneles de acceso



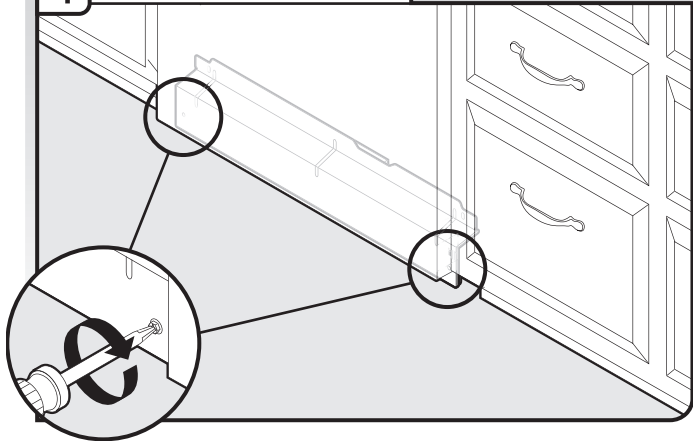
Sujete los 2 paneles juntos y colóquelos contra la pata de la lavavajillas. Vuelva a instalar los tornillos a través de los orificios en el panel de acceso y las ranuras en el panel inferior con un destornillador Phillips o una llave de tuercas de ¼".

3 Revise el borde inferior del panel



Revise que el borde inferior del panel inferior haga contacto con el piso. Ajustelo si es necesario.

4 Apriete los tornillos



Apriete los tornillos de los paneles de acceso.

⚠ ADVERTENCIA



Peligro de Choque Eléctrico

Conecte a un contacto de pared de conexión a tierra de 3 terminales.

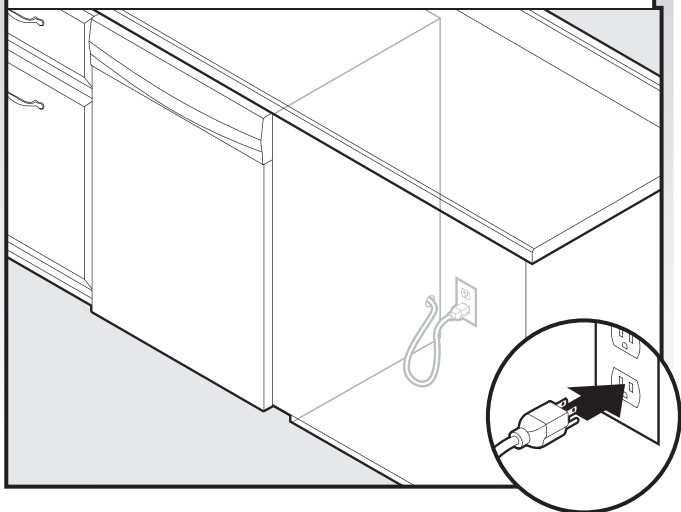
No quite la terminal de conexión a tierra.

No use un adaptador.

No use un cable eléctrico de extensión.

No seguir estas instrucciones puede ocasionar la muerte, incendio o choque eléctrico.

1 Cable de suministro eléctrico - Enchúfelo en un contacto de conexión a tierra de 3 terminales



Conecte a un contacto de pared de conexión a tierra de 3 terminales.

Reconecte el suministro de energía

1 Reconecte el suministro de energía

Reconecte el suministro de energía en la caja de fusibles o la caja de cortacircuitos.

Verifique el funcionamiento

- Lea las Instrucciones para el usuario de la lavavajillas que vinieron con la misma.
- Verifique que todas las piezas hayan sido instaladas y que no se haya saltado ningún paso. Verifique que tenga todas las herramientas que usó.
- Ponga a funcionar la lavavajillas y deje que complete el ciclo de lavado más corto. Después de los 2 primeros minutos, destrabe la puerta, espere 5 segundos y luego ábrala. Verifique que haya agua en la parte inferior de la tina de la lavavajillas. Verifique que la lavavajillas esté funcionando adecuadamente.

Si la lavavajillas no funciona como es debido, desconecte el suministro de energía o desenchufe la lavavajillas y vea la sección "Si la lavavajillas no funciona".

Si la lavavajillas no funciona

Pruebe primero las soluciones aquí sugeridas y posiblemente se evite el costo de una visita de servicio técnico.

- Se ha disparado el cortacircuitos o se ha quemado el fusible de la casa?
- ¿Se ha cerrado y trabado bien la puerta?
- ¿Se ha seleccionado correctamente el ciclo para poner en marcha la lavavajillas?
- ¿Está abierta la llave del agua?

Si ninguna de estas soluciones posibles funciona, consulte las Instrucciones para el usuario de la lavavajillas para ver la información de contacto del servicio al cliente.

Consejos adicionales

El lavado tomará más tiempo. Su nueva lavavajillas se tarda un promedio de 2 a 3 horas por carga, pero utiliza 40% menos electricidad que modelos anteriores. Su lavavajillas se ha diseñado con un motor de bajo vataje y de bajo consumo de energía; por ese motivo lava por períodos más prolongados, para asegurar una limpieza excepcional. Algunos modelos están equipados con un sensor de agua óptico, de modo que el primer ciclo funcionará por más tiempo, para calibrar el sensor óptico. El seleccionar ciertas opciones podría incrementar el tiempo del ciclo a más de 3,5 horas.

El agente de enjuague es esencial para obtener buenos resultados en el secado:

Esta lavavajillas ha sido diseñada para usarse en conjunción con agente de enjuague para obtener un buen secado y para controlar la acumulación de depósitos de agua dura. Las lavavajillas que ahorran energía usan menos agua y energía, de modo que dependen de la acción de desplazamiento del agua por obra del agente de enjuague, para realizar un buen secado.

Es posible que destelle la luz de Start/Resume (Inicio/Reanudar): Cuando se presione Start/Resume (Inicio/Reanudar), deberá asegurarse de cerrar la puerta en menos de 3 segundos. Si no lo hace, la luz de Start/Resume (Inicio/Reanudar) destellará hasta que usted lo presione nuevamente. (También deberá hacer esto cuando agregue un plato en la mitad de un ciclo.)

TABLE DES MATIÈRES

SÉCURITÉ DU LAVE-VAISSELLE	50	Évaluation de l'ouverture d'encastrement du placard	63
EXIGENCES D'INSTALLATION	51	Installation de la poignée de porte	64
Outillage et pièces	51	Installation du panneau personnalisé	65
Exigences d'emplacement	52	Choix de l'option de fixation	65
Exigences d'évacuation	53	Préparation de la canalisation d'alimentation en eau	66
Spécifications de l'alimentation en eau	54	Déplacement du lave-vaisselle à proximité de l'ouverture d'encastrement du placard	66
Spécifications électriques	54	Raccordement à l'alimentation en eau	68
INSTRUCTIONS D'INSTALLATION	55	Raccordement au circuit d'évacuation	69
Préparation de l'ouverture d'encastrement du placard – Moyens de raccordement préexistants	55	Raccordement électrique direct	69
Préparation de l'ouverture d'encastrement du placard – Nouveaux moyens de raccordement	56	Fixation du lave-vaisselle dans l'ouverture d'encastrement du placard	71
Préparation et acheminement de la canalisation d'eau	57	Achever l'installation	72
Installation du tuyau d'évacuation	58	Contrôle du fonctionnement	74
Installation de la barrière anti-humidité	60	Si le lave-vaisselle ne fonctionne pas	74
Préparation du lave-vaisselle	60	Conseils supplémentaires	74
Raccordement du cordon d'alimentation	61		

SÉCURITÉ DU LAVE-VAISSELLE

Votre sécurité et celle des autres est très importante.

Nous donnons de nombreux messages de sécurité importants dans ce manuel et sur votre appareil ménager. Assurez-vous de toujours lire tous les messages de sécurité et de vous y conformer.



Voici le symbole d'alerte de sécurité.

Ce symbole d'alerte de sécurité vous signale les dangers potentiels de décès et de blessures graves à vous et à d'autres.

Tous les messages de sécurité suivront le symbole d'alerte de sécurité et le mot "DANGER" ou "AVERTISSEMENT". Ces mots signifient :

⚠ DANGER

Risque possible de décès ou de blessure grave si vous ne suivez pas immédiatement les instructions.

⚠ AVERTISSEMENT

Risque possible de décès ou de blessure grave si vous ne suivez pas les instructions.

Tous les messages de sécurité vous diront quel est le danger potentiel et vous disent comment réduire le risque de blessure et ce qui peut se produire en cas de non-respect des instructions.

⚠ AVERTISSEMENT



Risque de basculement

Ne pas utiliser le lave-vaisselle jusqu'à ce qu'il soit complètement installé.

Ne pas appuyer sur la porte ouverte.

Le non-respect de ces instructions peut causer des blessures graves ou des coupures.

Il faut :

- Ouvrir lentement la porte du lave-vaisselle tandis qu'une autre personne saisit l'arrière de l'appareil. Retirer les matériaux d'expédition et le tuyau d'évacuation. Fermer la porte du lave-vaisselle; elle doit s'enclencher.

REMARQUE : Chaque lave-vaisselle a été testé en usine - en raison de ces tests, il est possible qu'il reste un peu d'eau dans la cuve du lave-vaisselle.

- Respecter les dispositions de tous les codes et règlements en vigueur.
- Installer le lave-vaisselle conformément aux présentes instructions.
- L'installation doit être exécutée par un technicien qualifié. Le lave-vaisselle doit être installé conformément aux dispositions de tous les codes et règlements locaux et nationaux régissant les installations de plomberie et d'électricité.

L'installation ou le retrait de l'appareil doit se faire avec précaution afin de réduire le risque d'endommagement du cordon d'alimentation.

AVERTISSEMENT : Afin de réduire le risque d'incendie, de choc électrique ou de blessures corporelles, l'installateur doit s'assurer que le lave-vaisselle est complètement encastré au moment de l'installation.


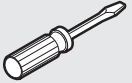
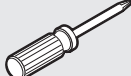
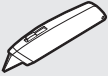
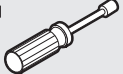
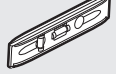




EXIGENCES D'INSTALLATION

Outillage et pièces

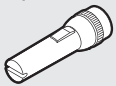


Rassembler les outils et composants nécessaires avant d'entreprendre l'installation. Lire et observer les instructions fournies avec chacun des outils de la liste ci-dessous.

Toutes les installations




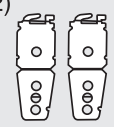

Outillage nécessaire :

Pince 	Tournevis à lame plate 
Tournevis Phillips 	Couteau utilitaire 
Tourne-écrou ou clés à douille hexagonales de 5/16" et 1/4" 	Petit niveau 
Mètre-ruban ou règle 	Clé plate de 5/8" 
Clé à molette de 10" (ouverture jusqu'à 1 1/8" [2,9 cm]) 	Tournevis Torx T20 [†] et en cas d'installation de panneaux personnalisés avant, tournevis Torx T15 [®] 

Autres articles utiles pouvant être nécessaires :


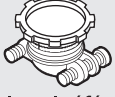

Lampe de poche 	Plat peu profond 	Serviette de bain 	Ruban de masquage ou ruban adhésif 
---	---	--	---

Pièces fournies :

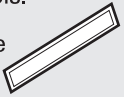

Brides pour tuyau de décharge (2) (1 grosse/rouge et 1 petite/verte) 	Tuyau de décharge 	Vis à tête Phillips n° 10 x 1/2" (2) 	Brides de soutien (au-dessous du plan de travail) (2) 	Poignée de porte (sur certains modèles) 
---	--	---	--	--

S'assurer que toutes ces pièces sont comprises avec le sachet de documentation. Si ce n'est pas le cas, composer le 1-800-422-1230. Au Canada, composer le 1-800-807-6777.

Autres pièces nécessaires (non fournies)

Raccord de tuyau coudé à 90° de 3/4" x 3/8" d'extrémité de compression avec joint caoutchouc (nécessaire pour raccorder correctement la canalisation d'eau du domicile au lave-vaisselle)  (Whirlpool référence W10685193)	Serre-câble métallique pour câblage du domicile qui convient à l'orifice de 7/8" (2,2 cm) (nécessaire pour raccorder correctement le câble du domicile au boîtier de connexion du lave-vaisselle) REMARQUE : Utiliser uniquement une pièce homologuée UL ou CSA  (Whirlpool référence 4396672)	Connecteurs de fils REMARQUE : Confirmer une taille correcte pour connecter le calibre du câblage du domicile au câblage de calibre 16 du lave-vaisselle REMARQUE : Utiliser uniquement des pièces homologuées UL ou CSA 
Appeler le Centre de pièces Whirlpool : 1-800-442-9991 pour la référence ci-dessus, ou consulter un détaillant local de matériel électrique et de plomberie pour une pièce équivalente.		



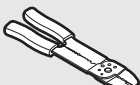
Accessoires facultatifs disponibles :

Ruban de barrière anti-humidité REMARQUE : Le ruban de barrière anti-humidité ajoute une protection facultative supplémentaire si le lave-vaisselle est installé sous un plan de travail en bois.  (Whirlpool référence 4396277)	Ensemble de panneau latéral Pour fermer le côté du lave-vaisselle lorsqu'il est installé à l'extrémité du placard.  (La référence varie selon la couleur)
Appeler le Centre de pièces Whirlpool : 1-800-442-9991 pour la référence ci-dessus.	




Premières installations

Consulter les codes locaux. Vérifier l'alimentation électrique existante. Voir la section "Spécifications électriques". Il est recommandé de faire réaliser tous les raccordements électriques par un électricien qualifié agréé.





Outillage supplémentaire nécessaire :

Perceuse sans fil avec mèches de scie à guichet de 1/2", 3/4" et 1 1/2" 	Petit coupe-tube 	Pince à dénuder 
---	--	---

Pièces supplémentaires nécessaires (non fournies) :

<p>Canalisation de cuivre (diamètre externe suggéré de 3/8") ou ensemble de canalisation d'arrivée d'eau flexible à tresse d'acier (Whirlpool référence W10278635RP). L'ensemble inclut un tuyau tressé et un raccord de tuyau de 3/4" x 3/8" d'extrémité de compression</p> 	<p>Brides à vis de 1 1/2" – 2" (3,81-5 cm) (3 au maximum)</p> 	<p>Facultatif - Longueur maximale d'un tuyau d'évacuation plus long : 12 pi (3,7 m) REMARQUE : Doit être conforme à toutes les normes de test AHAM/IAPMO, convenir à des raccords de vidange et être résistant à la chaleur et aux détergents.</p>  <p>(Whirlpool référence 3385556)</p>
<p>Appeler le Centre de pièces Whirlpool : 1-800-442-9991 pour la référence ci-dessus, ou consulter un détaillant local de matériel de plomberie pour une pièce équivalente.</p>		

REMARQUE : Si l'on utilise un tuyau flexible tressé, remplacer le tuyau d'alimentation après 5 ans d'utilisation pour réduire le risque de défaillance du tuyau. Inscrire la date d'installation ou de remplacement du tuyau sur celui-ci, pour référence ultérieure.

<p>Pour les installations à raccordement direct</p> 	<p>Pour un cordon d'alimentation</p> 
<p>Œillet pour placard Pour un trou de 1 1/2" (3,8 cm) dans le placard.</p>  <p>(Whirlpool référence 302797) REMARQUE : Nécessaire pour les placards métalliques.</p>	<p>Pour un cordon d'alimentation L'ensemble L'ensemble comprend habituellement un cordon d'alimentation, un serre-câble métallique, un œillet et des connecteurs de fils.</p>  <p>(Whirlpool référence 4317824)</p>
<p>Appeler le Centre de pièces Whirlpool : 1-800-442-9991 pour la référence ci-dessus, ou consulter un détaillant local de matériel électrique et de plomberie pour une pièce équivalente.</p>	

Exigences d'emplacement

L'appareil doit être entièrement encastré (sur le dessus, les côtés, l'arrière et au sol) dès l'installation. Un ensemble de panneau latéral est disponible chez votre marchand pour l'installation du lave-vaisselle à l'extrémité d'une rangée de placards.

Une barrière anti-humidité en option est également disponible pour l'installation sous un plan de travail en bois. Voir la section "Outils et pièces" sur la couverture du guide pour des détails sur les pièces et pour commander.

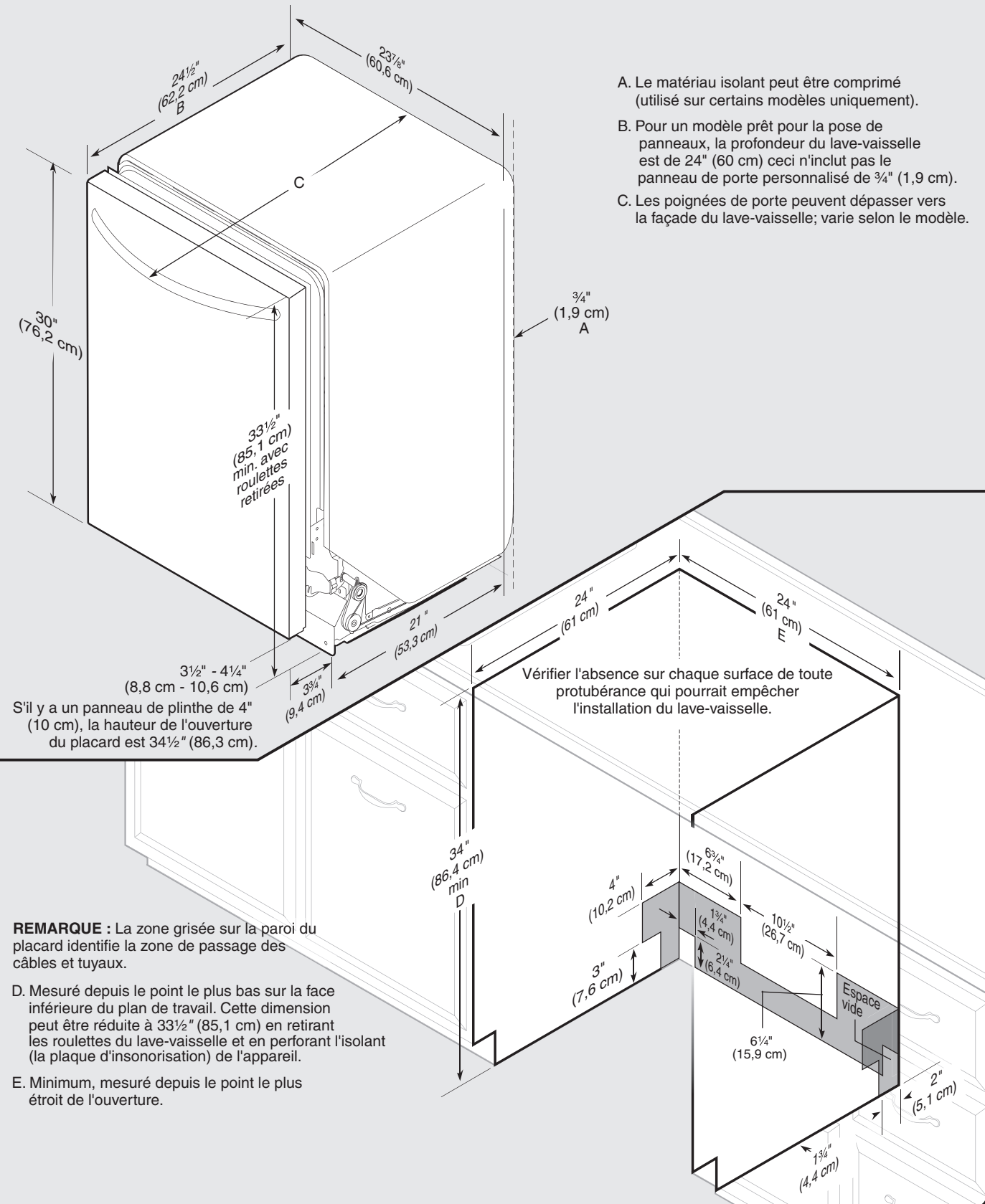
Inspecter l'emplacement d'installation du lave-vaisselle. Il doit comporter les caractéristiques suivantes :

- Accès facile pour chargement et déchargement de la vaisselle. Dans le cas de l'installation dans un angle, on doit pouvoir établir un dégagement de 2" (5,1 cm) ou plus entre le côté de la porte du lave-vaisselle et le mur ou le placard.
- Facilité d'accès aux canalisations d'eau et d'évacuation et à la source d'électricité.
 - Une source d'électricité avec liaison à la terre est nécessaire.
 - Veiller à ce que les canalisations d'eau et d'évacuation et les câbles électriques se trouvent dans les limites de la zone marquée en gris illustrée dans la section "Dimensions du produit et de l'emplacement d'installation".
 - Ne pas placer de canalisation d'évacuation, canalisation d'eau ou câblage électrique à un endroit où cela susciterait interférence ou contact avec les pieds ou le moteur du lave-vaisselle.
 - Protéger du gel le lave-vaisselle et les canalisations d'eau qui l'alimentent. La garantie de l'appareil ne couvre pas les dommages imputables au gel.

REMARQUE : Si le lave-vaisselle ne doit pas être utilisé pendant une période prolongée ou s'il est laissé à un endroit qui pourrait être exposé au gel, veiller à faire exécuter les opérations de pré-hivernage par un technicien compétent.

- Une ouverture carrée offrant l'esthétique appropriée et permettant un fonctionnement correct.
- La façade des placards perpendiculaire au plancher.
- Un plancher horizontal et plat.
Conseil utile : S'il y a un écart de niveau sur le plancher entre l'avant et l'arrière de l'emplacement d'installation, il pourrait être nécessaire d'utiliser des cales pour établir l'aplomb de l'appareil.
- **REMARQUE :** Pour éviter tout déplacement des cales durant le fonctionnement du lave-vaisselle, les cales doivent être solidement fixées au plancher.
- À l'emplacement d'installation du lave-vaisselle, on doit pouvoir établir le dégagement approprié entre le moteur et le plancher. Le moteur ne doit pas toucher le plancher.
- Ne pas installer le lave-vaisselle par-dessus un tapis.

Dimensions du produit et de l'ouverture d'encastement du placard



- A. Le matériau isolant peut être comprimé (utilisé sur certains modèles uniquement).
- B. Pour un modèle prêt pour la pose de panneaux, la profondeur du lave-vaisselle est de 24" (60 cm) ceci n'inclut pas le panneau de porte personnalisé de 3/4" (1,9 cm).
- C. Les poignées de porte peuvent dépasser vers la façade du lave-vaisselle; varie selon le modèle.

S'il y a un panneau de plinthe de 4" (10 cm), la hauteur de l'ouverture du placard est 34 1/2" (86,3 cm).

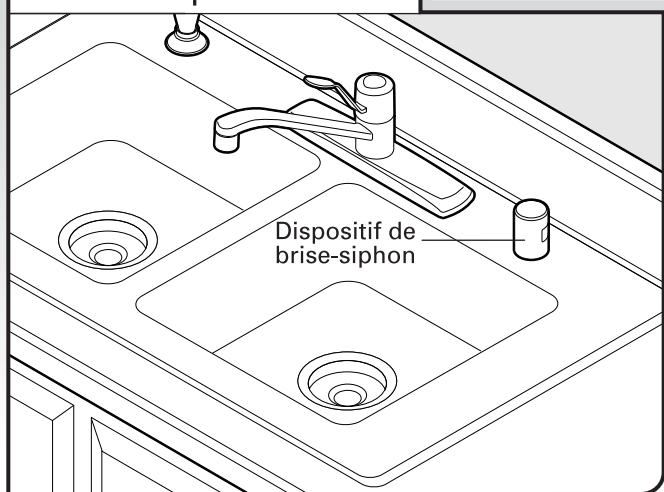
Vérifier l'absence sur chaque surface de toute protubérance qui pourrait empêcher l'installation du lave-vaisselle.

- REMARQUE :** La zone grisée sur la paroi du placard identifie la zone de passage des câbles et tuyaux.
- D. Mesuré depuis le point le plus bas sur la face inférieure du plan de travail. Cette dimension peut être réduite à 33 1/2" (85,1 cm) en retirant les roulettes du lave-vaisselle et en perforant l'isolant (la plaque d'insonorisation) de l'appareil.
 - E. Minimum, mesuré depuis le point le plus étroit de l'ouverture.

Exigences d'évacuation

- Un tuyau d'évacuation neuf est fourni avec le lave-vaisselle. Si le tuyau d'évacuation n'est pas suffisamment long, utiliser un tuyau d'évacuation neuf d'une longueur maximale de 12 pi (3,7 m) satisfaisant à toutes les normes de test AHAM/IAPMO en vigueur, qui soit résistant à la chaleur et aux détergents et qui convienne au raccord d'évacuation de 1" (2,5 cm) du lave-vaisselle. Voir la section "Outils et pièces" sur la couverture du guide pour des détails sur les pièces et pour commander.
- Veiller à raccorder le tuyau d'évacuation à la canalisation d'égout en T ou au raccord de broyeur à déchets en amont du siphon du circuit de plomberie du domicile, et à au moins 20" (50,8 cm) au-dessus du sol. On recommande de lover le tuyau d'évacuation et de le fixer solidement sur la face inférieure du plan de travail, ou de le raccorder à un dispositif de brise-siphon.

Utilisation du dispositif de brise-siphon



- Utiliser un dispositif de brise-siphon si le tuyau d'évacuation est raccordé au circuit de plomberie du domicile à moins de 20" (50,8 cm) au-dessus du sous-plancher ou du plancher.
- Si nécessaire, le dispositif de brise-siphon doit être installé conformément aux instructions d'installation de ce dernier. Lors du raccordement du dispositif de brise-siphon à la canalisation d'égout en T ou au raccord de broyeur à déchets, un tuyau en caoutchouc (non fourni) sera nécessaire.
- Utiliser des raccords de diamètre intérieur de 1/2" minimum.

Spécifications de l'alimentation en eau

- Une canalisation d'eau chaude, sous pression de 20 à 120 lb/po² (138 à 862 kPa) peut être inspectée par un plombier certifié.
 - Température de 120°F (49°C) à l'entrée du lave-vaisselle.
 - Tube de cuivre de 3/8" de diamètre externe avec raccord de compression ou canalisation d'alimentation en eau flexible à tresse d'acier. Voir la section "Outils et pièces" sur la couverture du guide pour des détails sur les pièces et pour commander.
- REMARQUE :** L'emploi d'un tuyau de plastique d'un minimum de 1/2" n'est pas recommandé.
- Raccord coudé à 90° avec raccord de tuyau de 3/4" et rondelle de caoutchouc. Voir la section "Outils et pièces" sur la couverture du guide pour des détails sur les pièces et pour commander.
 - Ne pas souder à moins de 6" (15,2 cm) de l'électrovanne d'admission d'eau.

Spécifications électriques

S'assurer que le raccordement électrique est adéquat et conforme au code national de l'électricité, ANSI/NFPA 70 – dernière édition, et à tous les codes et règlements locaux en vigueur.

Pour obtenir un exemplaire des normes des codes ci-dessus, contacter :

National Fire Protection Association
1 Batterymarch Park
Quincy, MA 02169-7471

Il vous faut :

- Source d'alimentation de 120 V, 60 Hz, CA uniquement, de type 15 ou 20 ampères, protégée par fusible et reliée à la terre.
- Conducteurs de cuivre uniquement.
- Un maximum de deux conducteurs d'alimentation (calibre 12 AWG maximum) plus un conducteur de mise à la terre est autorisé dans le boîtier de connexion.

Nous recommandons :

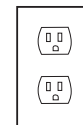
- L'utilisation d'un fusible ou disjoncteur temporisé.
- Un circuit séparé.

Pour le raccordement du lave-vaisselle avec un cordon d'alimentation électrique :



- Utiliser un cordon d'alimentation (homologation UL) conçu pour utilisation avec un lave-vaisselle. Voir la section "Outils et pièces" sur la couverture du guide pour des détails sur les pièces et pour commander.

- Le cordon d'alimentation électrique doit être branché dans une prise à trois alvéoles reliée à la terre située dans le placard, près de l'ouverture du lave-vaisselle. La prise doit être conforme à tous les codes et règlements locaux.



Pour le raccordement direct du lave-vaisselle :

- Utiliser des conducteurs de cuivre gainés non métalliques ou blindés souples avec conducteur de liaison à la terre qui satisfassent aux exigences de l'installation électrique de votre domicile, et qui soient conformes aux prescriptions des codes et règlements locaux.
- Utiliser un serre-câble métallique (homologation UL ou CSA). Voir la section "Outils et pièces" sur la couverture du guide pour des détails sur les pièces et pour commander.



INSTRUCTIONS D'INSTALLATION

⚠ AVERTISSEMENT



Risque de choc électrique

Interrompre l'alimentation électrique avant d'installer le lave-vaisselle (au niveau du tableau de distribution - fusible ou disjoncteur)

Le non-respect de cette instruction peut causer un décès ou un choc électrique.

1 Déconnecter la source de courant électrique

Interrompre l'alimentation électrique avant d'installer le lave-vaisselle (au niveau du tableau de distribution - fusible ou disjoncteur)

2 Fermeture de l'alimentation en eau

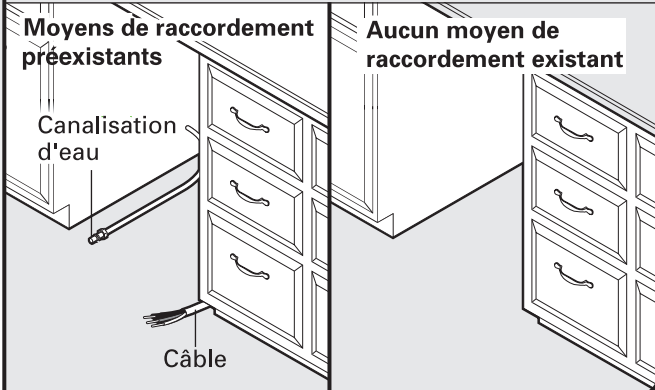
Fermer l'alimentation en eau raccordée au lave-vaisselle.

3 L'utilisateur possède-t-il déjà des moyens de raccordement?

Oui—Suivre les instructions de la section "Préparation de l'ouverture d'encastrement du placard - Moyens de raccordement préexistants".

Non—Suivre les instructions de la section "Préparation de l'ouverture d'encastrement du placard - Nouveaux moyens de raccordement".

Moyens de raccordement préexistants

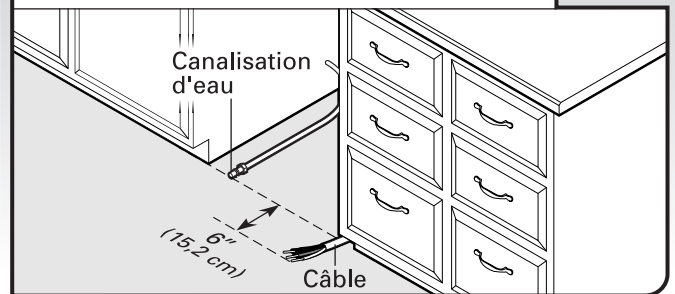


Aucun moyen de raccordement existant



Préparation de l'ouverture d'encastrement du placard - Moyens de raccordement préexistants

1 Vérification de l'emplacement du circuit d'eau et d'électricité

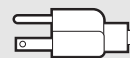



Lors du retrait d'un lave-vaisselle précédent, prendre soin d'éviter d'endommager le cordon d'alimentation existant, le conduit d'évacuation et la canalisation d'eau raccordés au lave-vaisselle. Si la canalisation d'eau et le câble dépassent des emplacements indiqués, passer à la section "Installation du tuyau d'évacuation". S'ils ne sont pas assez longs, suivre les instructions dans la section "Préparation de l'ouverture d'encastrement du placard - Nouveaux moyens de raccordement".

Préparation de l'ouverture d'encastrement du placard - Nouveaux moyens de raccordement

Préparation et acheminement de l'alimentation électrique

Quel type de connexion électrique l'utilisateur emploie-t-il?

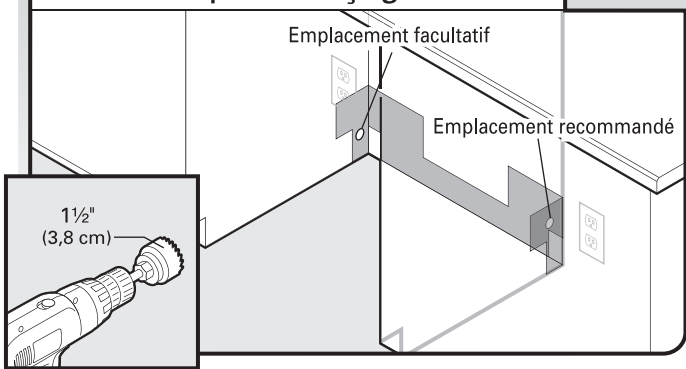
 Cordon d'alimentation électrique :
Suivre les instructions de l'option A

 Raccordement direct :
Suivre les instructions de l'option B

Option A, cordon d'alimentation :

REMARQUE : On doit disposer d'une prise à trois alvéoles, reliée à la terre, située dans un placard qui se trouve près de l'ouverture du lave-vaisselle.

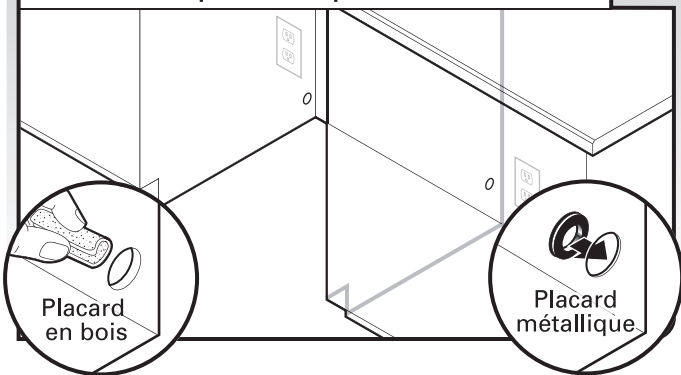
1 Cordon d'alimentation électrique - Perçage du trou



Percer un trou de 1 1/2" (3,8 cm) dans la paroi latérale ou arrière du placard.

Voir la section "Dimensions du produit et de l'ouverture d'encastrement du placard".

2 Cordon d'alimentation électrique - Préparation du trou



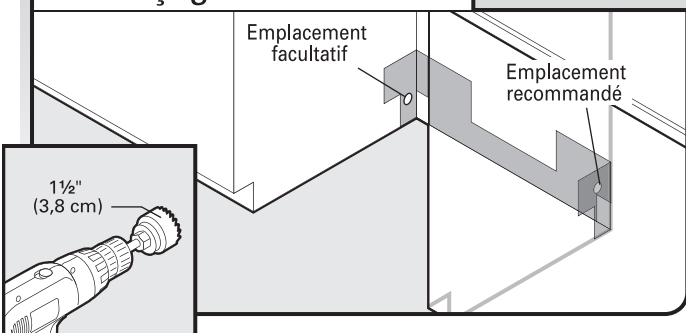
Placard en bois : Poncer le trou jusqu'à obtenir une surface lisse.
Placard métallique : Couvrir le trou avec l'œillet fourni dans la trousse du cordon d'alimentation électrique.

Voir la section "Outils et pièces" sur la couverture du guide pour des détails sur les pièces.

Option B, raccordement direct :

Conseil utile : Le raccordement au lave-vaisselle sera plus facile si l'on achemine le câble par le côté droit de l'ouverture d'encastrement du placard.

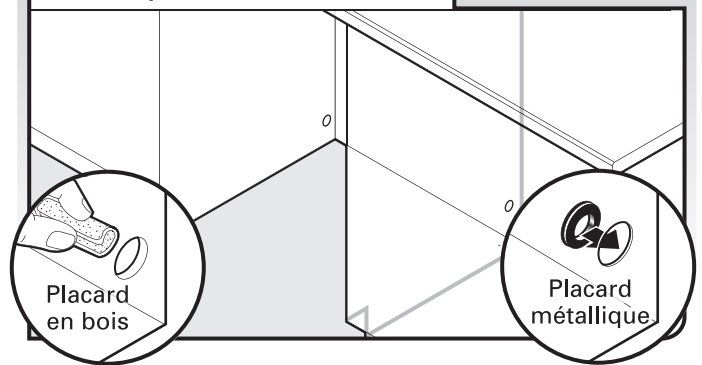
1 Raccordement direct - Perçage du trou



Percer un trou de 1 1/2" (3,8 cm) dans le côté droit de la paroi latérale ou arrière du placard.

Voir la section "Dimensions du produit et de l'ouverture d'encastrement du placard".

2 Raccordement direct - Préparation du trou

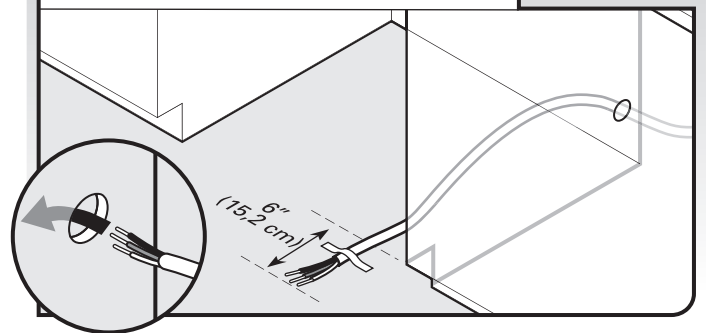


Placard en bois : Poncer le trou jusqu'à obtenir une surface lisse.

Placard métallique : Couvrir les pourtours du trou avec un œillet.

Voir la section "Outils et pièces" sur la couverture du guide pour des détails sur les pièces.

3 Raccordement direct - Acheminement du câble

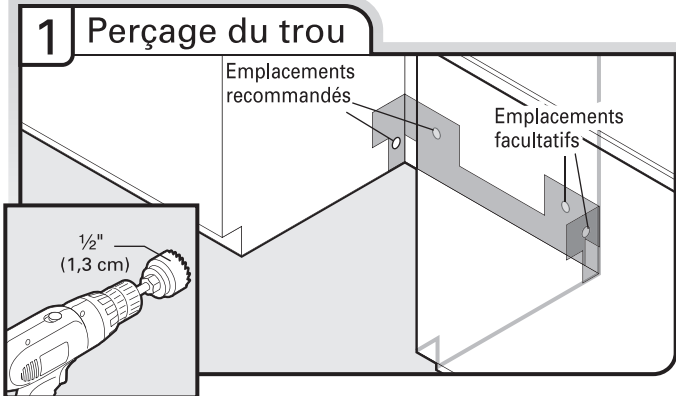


Acheminer le câble de la source d'alimentation électrique à travers le trou dans le placard (le câble doit dépasser par le côté avant droit de l'ouverture d'encastrement du placard).

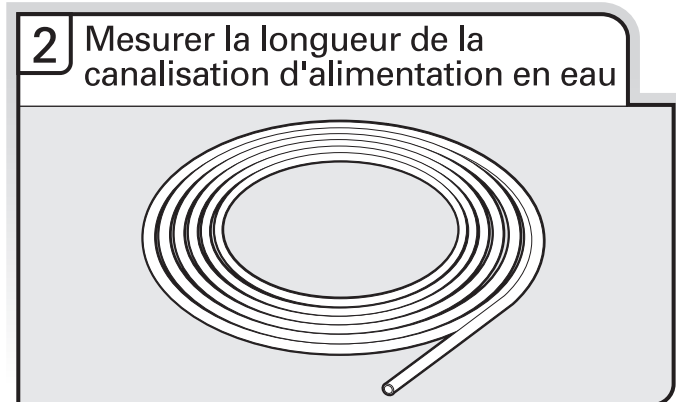
Fixer le câble au plancher avec du ruban adhésif dans la zone indiquée. Cela empêchera le câble de bouger lors de l'insertion du lave-vaisselle dans l'ouverture du placard.

Préparation et acheminement de la canalisation d'eau

Conseil utile : Le raccordement du circuit d'eau sera plus facile si l'on achemine la canalisation d'eau par le côté gauche de l'ouverture du placard.



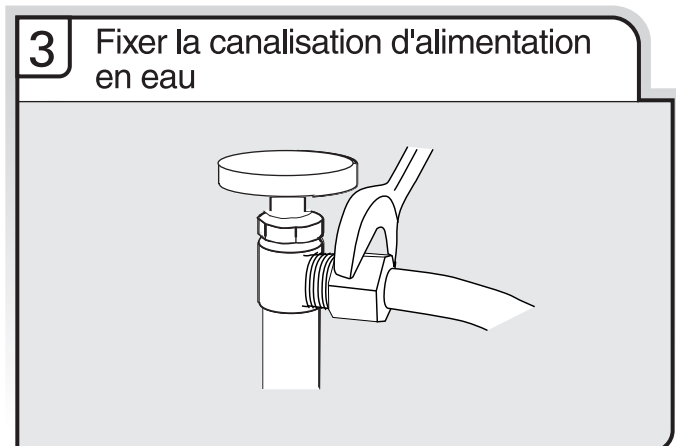
Percer un trou de $\frac{1}{2}$ " (1,3 cm) dans la paroi latérale ou arrière du placard.



Mesurer la longueur totale du tube de cuivre pour la canalisation d'alimentation en eau.

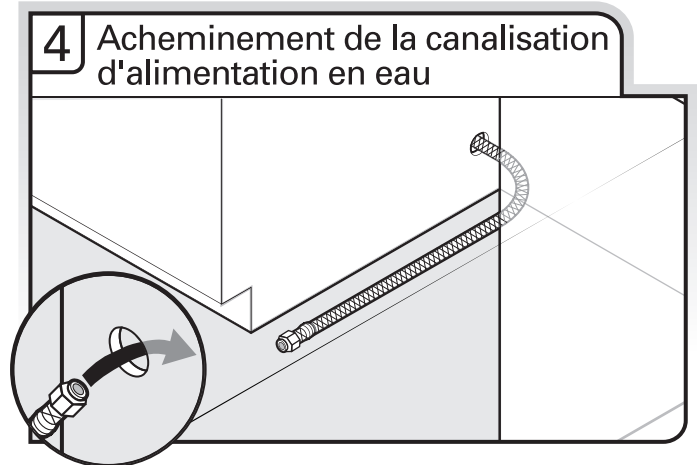
Voir la section "Outils et pièces" sur la couverture du guide pour des détails sur les pièces.

REMARQUE : Si l'on utilise un tuyau flexible tressé, remplacer le tuyau d'alimentation après 5 ans d'utilisation pour réduire le risque de défaillance du tuyau. Inscrive la date d'installation ou de remplacement du tuyau sur celui-ci, pour référence ultérieure.

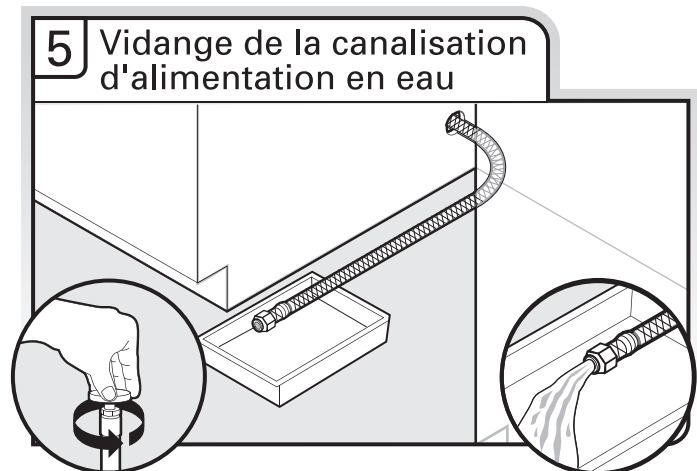


Fixer la canalisation d'alimentation en eau (tube de cuivre ou canalisation flexible tressée) à la canalisation d'eau chaude à l'aide d'une configuration de raccordement qui soit conforme à

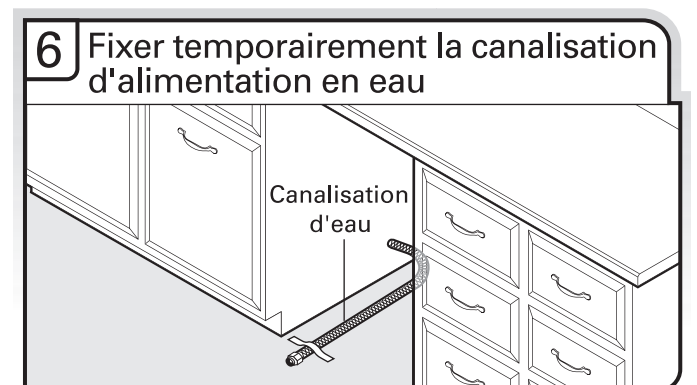
tous les codes et règlements locaux. La canalisation d'alimentation en eau raccordée au lave-vaisselle doit comporter un robinet d'arrêt manuel situé sous l'évier.



Faire passer prudemment la canalisation d'alimentation en eau à travers le trou percé dans le placard. (Un tube en cuivre s'écrase/se déforme facilement - procéder prudemment si l'on en utilise un.) Il faut que la longueur de la section qui dépasse dans l'espace d'encastrement soit suffisante pour le raccordement à l'entrée du lave-vaisselle sur le côté gauche, à l'avant du lave-vaisselle.



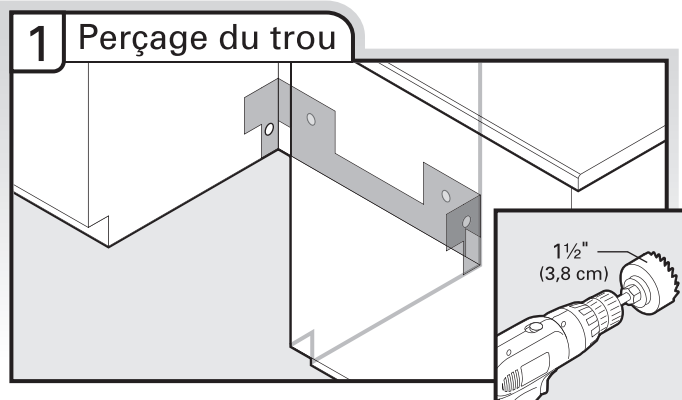
Tourner lentement le robinet d'arrêt jusqu'à la position "ON" (marche). Vider l'eau dans un plat peu profond pour éliminer les particules et débris qui pourraient obstruer l'électrovanne d'admission. Tourner le robinet d'arrêt jusqu'à la position "OFF" (arrêt).



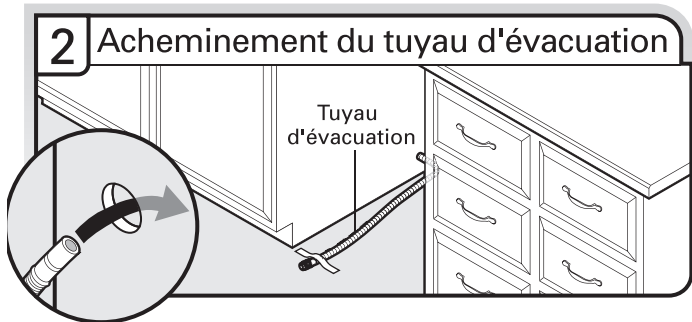
Installer la canalisation d'alimentation en eau et la fixer au plancher avec du ruban adhésif dans la zone indiquée. Cela l'empêchera de bouger lors de l'insertion du lave-vaisselle dans l'ouverture du placard.

Installation du tuyau d'évacuation

IMPORTANT : Utiliser toujours un tuyau d'évacuation neuf. Vérifier les codes locaux pour déterminer si un dispositif de brise-siphon est nécessaire.



Si nécessaire, percer un trou de 1 1/2" (3,8 cm) de diamètre dans la paroi du placard ou le côté de l'ouverture le plus proche de l'évier.



Insérer le tuyau d'évacuation tel qu'indiqué à travers le trou dans le placard et l'acheminer jusqu'au point de raccordement du tuyau d'évacuation (au centre de l'ouverture, à l'avant). Fixer le tuyau d'évacuation au plancher avec du ruban adhésif dans la zone indiquée. Cela l'empêchera de bouger lors de l'insertion du lave-vaisselle dans l'ouverture du placard.

3 Raccordement du tuyau d'évacuation

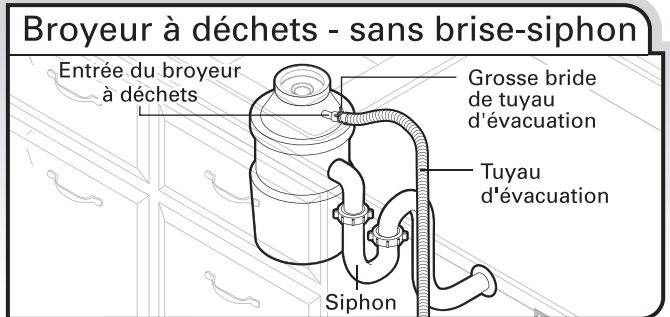
Raccorder le tuyau d'évacuation à la canalisation d'égout en T ou au broyeur à déchets en utilisant l'une des options suivantes :

- Option A, Broyeur à déchets - sans brise-siphon
- Option B, Pas de broyeur à déchets - sans brise-siphon
- Option C, Broyeur à déchets - avec brise-siphon
- Option D, Pas de broyeur à déchets - avec brise-siphon

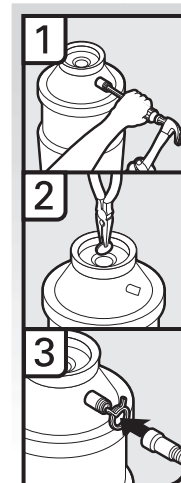
IMPORTANT : Le raccordement du tuyau d'évacuation à la canalisation d'égout en T ou au raccord de broyeur à déchets doit être réalisé en amont du siphon du circuit d'évacuation et à au moins 20" (50,8 cm) au-dessus du plancher de l'espace d'installation du lave-vaisselle.

Conseil utile : Afin de minimiser les vibrations du tuyau, le tenir à distance du plancher.

Option A, Broyeur à déchets – sans brise-siphon



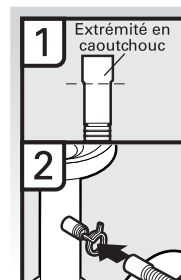
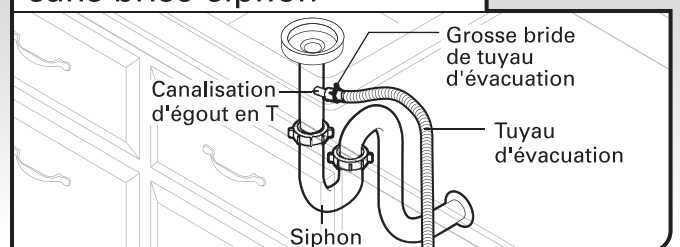
Conseil utile : Retirer le bouchon d'obturation arrachable du broyeur.



1. À l'aide d'un marteau et d'un tournevis, enfoncer le bouchon d'obturation dans le broyeur à déchets.
2. Retirer le bouchon d'obturation à l'aide d'une pince à pointe biseautée.
3. Fixer le tuyau d'évacuation sur l'entrée du raccord de broyeur à déchets à l'aide de la grosse bride de tuyau d'évacuation (fournie). À l'aide d'une pince, serrer la bride pour l'ouvrir et la mettre en position.

Option B, Pas de broyeur à déchets – sans brise-siphon

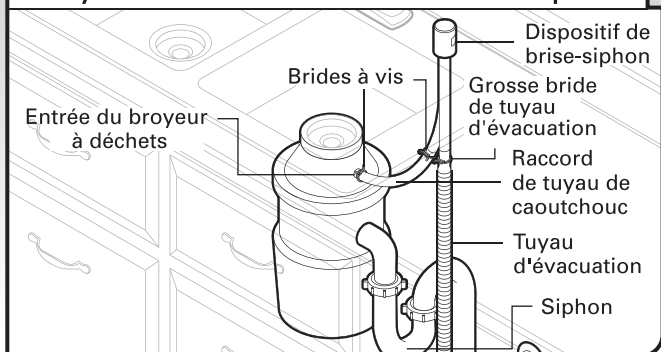
Pas de broyeur à déchets - sans brise-siphon



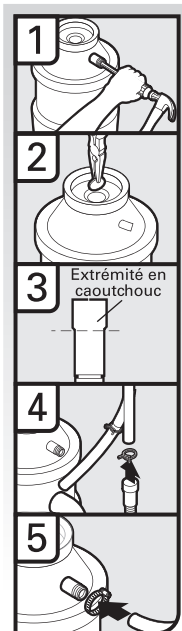
1. Raccorder l'extrémité en caoutchouc du tuyau d'évacuation à la canalisation d'égout en T et couper si nécessaire.
- REMARQUE :** Ne pas couper la section ondulée.
2. Fixer l'extrémité en caoutchouc du tuyau d'évacuation à la canalisation d'égout en T à l'aide d'une grosse bride pour tuyau d'évacuation (fournie). À l'aide d'une pince, serrer la bride pour l'ouvrir et la mettre en position. Si le tuyau d'évacuation a été coupé, utiliser une bride à vis de 1 1/2" à 2" (3,8 à 5 cm) (non fournie).

Option C, Broyeur à déchets - avec brise-siphon

Broyeur à déchets - avec brise-siphon



Conseil utile : Retirer le bouchon d'obturation arrachable du broyeur.



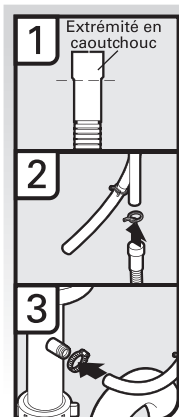
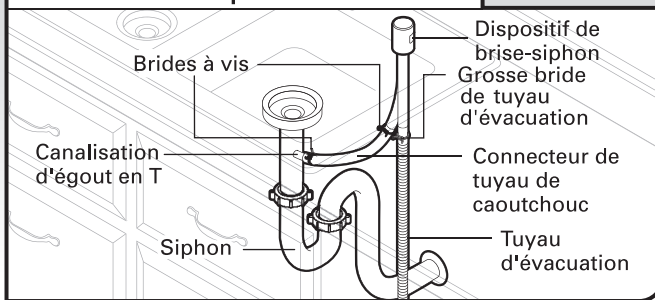
1. À l'aide d'un marteau et d'un tournevis, enfoncer le bouchon d'obturation dans le broyeur à déchets.
2. Retirer le bouchon d'obturation à l'aide d'une pince à pointe biseautée.
3. Raccorder l'extrémité en caoutchouc du tuyau d'évacuation au dispositif de brise-siphon et couper si nécessaire.

REMARQUE : Ne pas couper la section ondulée.

4. Fixer le tuyau d'évacuation sur le dispositif de brise-siphon à l'aide de la grosse bride de tuyau d'évacuation (fournie). À l'aide d'une pince, serrer la bride pour l'ouvrir et la mettre en position. Si le tuyau d'évacuation a été coupé, utiliser une bride à vis de 1½" à 2" (3,8 à 5 cm) (non fournie).
5. Utiliser un tuyau en caoutchouc (non fourni) et une bride à vis (non fournie) pour le raccordement du dispositif de brise-siphon à l'entrée du broyeur à déchets.

Option D, Pas de broyeur à déchets - avec brise-siphon

Pas de broyeur à déchets - avec brise-siphon



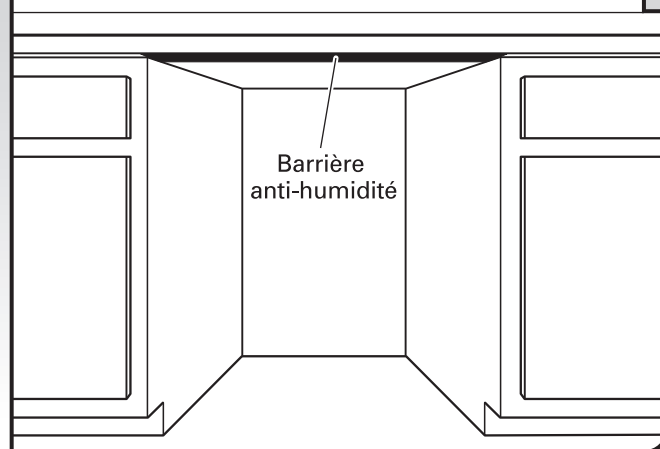
1. Raccorder l'extrémité en caoutchouc du tuyau d'évacuation au dispositif de brise-siphon et couper si nécessaire.

REMARQUE : Ne pas couper la section ondulée.

2. Fixer le tuyau d'évacuation sur le dispositif de brise-siphon à l'aide de la grosse bride de tuyau d'évacuation (fournie). À l'aide d'une pince, serrer la bride pour l'ouvrir et la mettre en position. Si le tuyau d'évacuation a été coupé, utiliser une bride à vis de 1½" à 2" (3,8 à 5 cm) (non fournie).
3. Utiliser un tuyau en caoutchouc (non fourni) et une bride à vis (non fournie) pour le raccordement de la canalisation d'égout en T au dispositif de brise-siphon.

Installation de la barrière anti-humidité (sous un plan de travail en bois)

Installation de la barrière anti-humidité



Voir la section "Outils et pièces" sur la couverture du guide pour des détails sur les pièces.

1. Veiller à ce que la zone se trouvant sous le placard soit propre et sèche avant d'installer la barrière anti-humidité.

2. Ôter l'endos de la barrière anti-humidité et appliquer la barrière sur le dessous du plan de travail, le long de la rive avant du comptoir.

Préparation du lave-vaisselle

AVERTISSEMENT



Risque de basculement

Ne pas utiliser le lave-vaisselle jusqu'à ce qu'il soit complètement installé.

Ne pas appuyer sur la porte ouverte.

Le non-respect de ces instructions peut causer des blessures graves ou des coupures.

AVERTISSEMENT

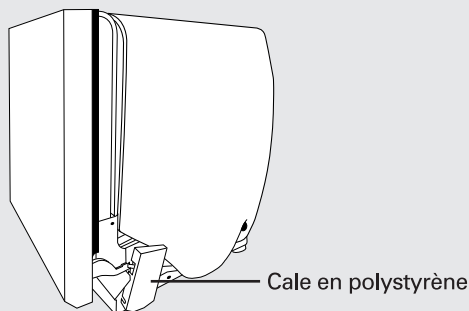
Risque du poids excessif

Utiliser deux personnes ou plus pour déplacer et installer le lave-vaisselle.

Le non-respect de cette instruction peut causer une blessure au dos ou d'autre blessure.

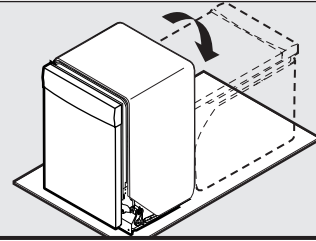
Conseil utile : Placer une feuille de carton sous le lave-vaisselle jusqu'à son installation dans l'ouverture d'encastrement du placard pour éviter d'endommager le revêtement de sol.

1 Retrait de la cale en polystyrène



Enlever et jeter les cales en mousse (si présentes, car tous les modèles n'en sont pas pourvus) situées au-dessus des pieds avant, de chaque côté du lave-vaisselle. Les cales permettent de couvrir les poulies à cordon/chaîne du lave-vaisselle.

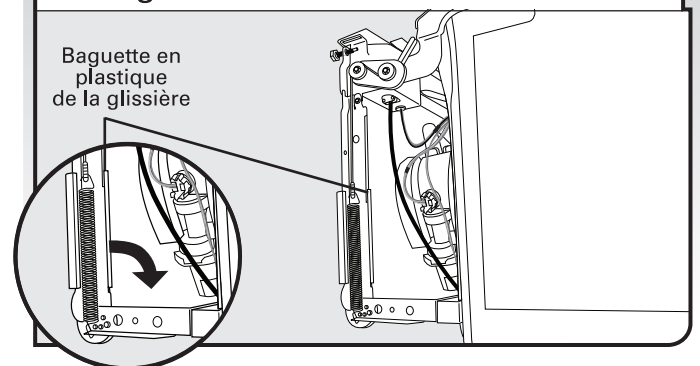
2 Placer le lave-vaisselle sur le dos



À l'aide d'au moins deux personnes, saisir les côtés de l'encadrement de la porte du lave-vaisselle et placer le lave-vaisselle sur le dos.

Afin d'éviter d'érafler le panneau de porte, ne pas se servir du panneau de porte comme planche de travail sans l'avoir recouvert d'une serviette au préalable.

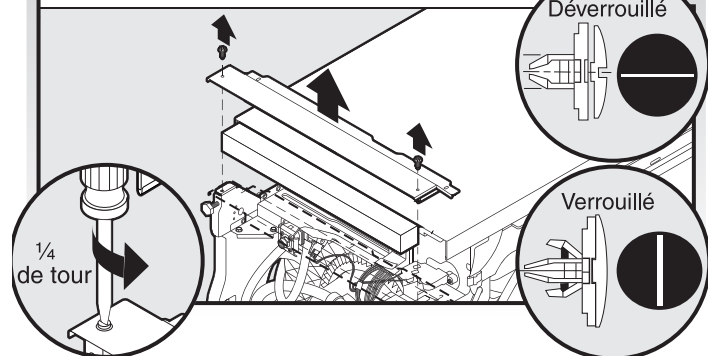
3 Enlever la baguette en plastique de la glissière



Enlever et jeter la baguette en plastique de glissière de chaque côté du châssis du lave-vaisselle. Pour retirer la baguette en plastique de glissière, la pousser vers le haut puis vers l'arrière et la déboîter du châssis du lave-vaisselle.

Option A : Retrait du panneau d'accès – Panneau en plastique

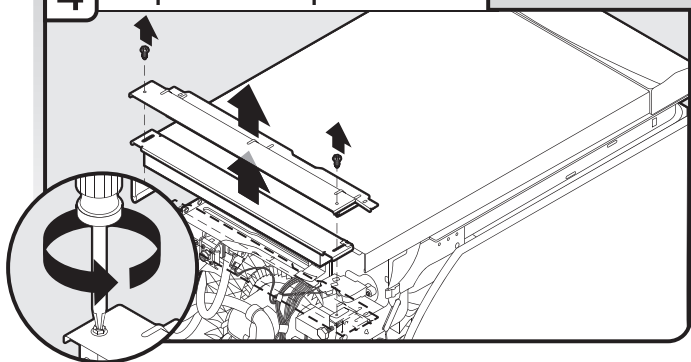
4 Retirer le panneau et les dispositifs de fixation



À l'aide d'un tournevis à lame plate, tourner les dispositifs de fixation d'un quart de tour dans le sens antihoraire pour les déverrouiller. Retirer le panneau. Ne pas retirer la fiche technique du panneau d'accès.

Option B : Retrait du panneau d'accès – Panneau métallique

4 Dépose des panneaux



À l'aide d'un tourne-écrou ou un tournevis Phillips de 1/4", ôter les deux vis fixant le panneau d'accès et le panneau inférieur au lave-vaisselle.

Ne pas retirer la fiche technique du panneau d'accès.

Quel type de connexion électrique l'utilisateur emploie-t-il?



Cordon d'alimentation électrique :
Suivre les instructions de l'option A



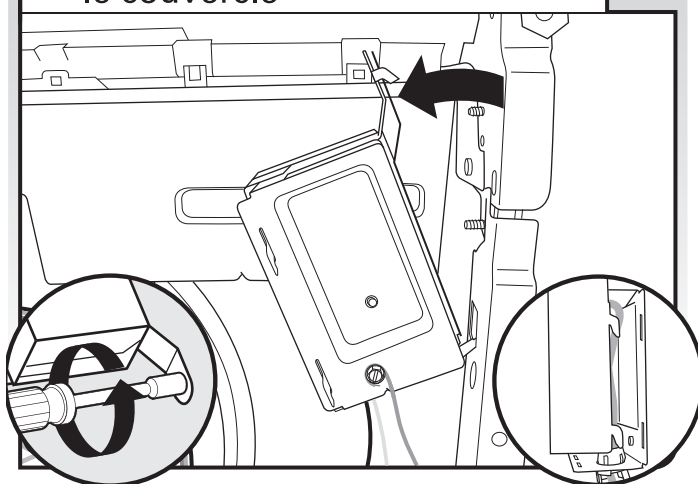
Raccordement direct :
Suivre les instructions de l'option B

REMARQUE : Si l'on utilise l'option B, continuer jusqu'à "Évaluation de l'ouverture d'encastrement du placard" pour poursuivre l'installation du lave-vaisselle avant d'effectuer le raccordement direct des conducteurs.

Raccordement du cordon d'alimentation

Option A - Cordon d'alimentation

1 Ôter le boîtier de connexion et le couvercle

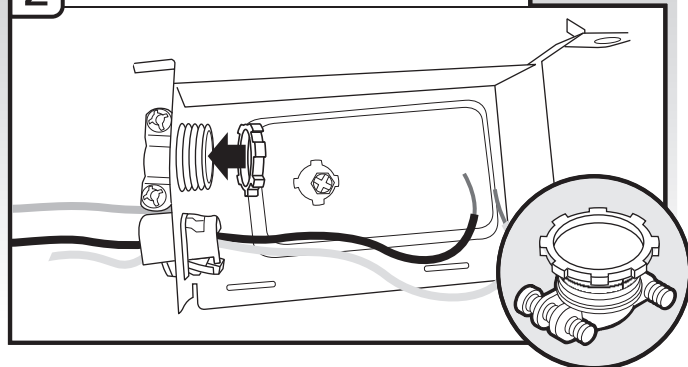


Ne pas déconnecter les conducteurs verts, blancs et noirs du lave-vaisselle déjà raccordés au boîtier de connexion. Ces

conducteurs doivent être de la longueur appropriée pour permettre de sortir le boîtier de connexion hors du lave-vaisselle si l'on soulève les conducteurs hors des attaches adjacentes ou des composants servant à les tenir loin du sol.

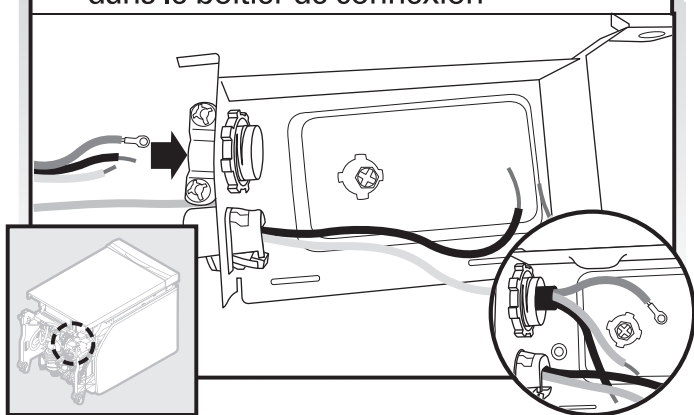
À l'aide d'un tourne-écrou de 1/4" ou d'une clé à douille transversale de 1/4", retirer la vis maintenant le boîtier de connexion sur l'entretoise. Ensuite, incliner le boîtier de connexion, dégager la languette et sortir le boîtier de connexion de la grille transversale. Retirer le couvercle en le faisant coulisser vers le haut et en dégageant ses crochets hors des encoches. Conserver le couvercle pour utilisation ultérieure.

2 Installation d'un serre-câble



Installer un serre-câble métallique (homologation UL ou CSA). S'assurer que les têtes de vis soient orientées vers le haut lors du serrage de l'écrou à conduit. Un serre-câble est fourni dans l'ensemble du cordon d'alimentation. Voir la section "Outils et pièces" sur la couverture du guide pour des détails sur les pièces et pour commander.

3 Cordon d'alimentation électrique - Acheminement du cordon d'alimentation dans le boîtier de connexion



Acheminer le cordon d'alimentation de façon à ce qu'il ne touche ni le moteur du lave-vaisselle, ni la partie inférieure de la cuve du lave-vaisselle. Tirer le câble pour le faire passer à travers le serre-câble dans le boîtier de connexion.

Remarque : Un maximum de deux câbles d'alimentation (calibre 12 AWG maximum) plus un conducteur de mise à la terre est autorisé dans le boîtier de connexion.

⚠ AVERTISSEMENT



Risque de choc électrique

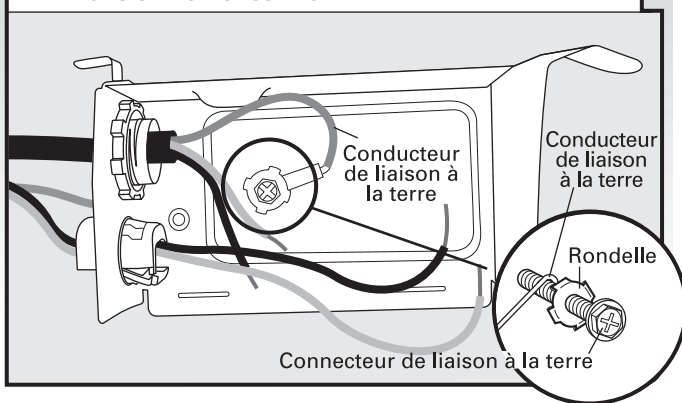
Relier le lave-vaisselle à la terre d'une méthode électrique.

Brancher le fil relié à la terre au connecteur vert relié à la terre dans la boîte de la borne.

Ne pas utiliser un câble de rallonge.

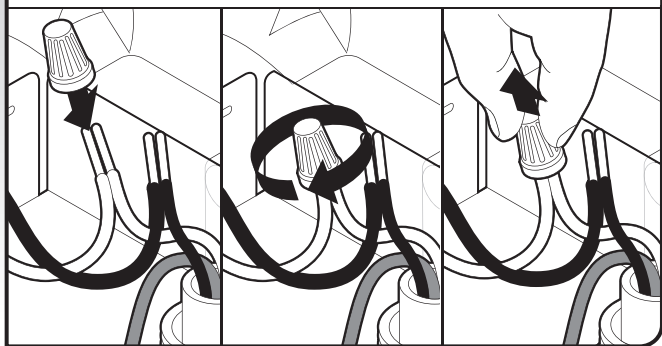
Le non-respect de ces instructions peut causer un décès, un incendie ou un choc électrique.

4 Cordon d'alimentation - Raccordement du conducteur de liaison à la terre



Retirer la vis de liaison à la terre du plancher surélevé à l'intérieur du boîtier et la placer à travers la borne en anneau de la vis verte de mise à la terre du cordon d'alimentation. Réattacher et serrer la vis de liaison à la terre sur le plancher surélevé du boîtier.

5 Cordon d'alimentation électrique - Raccordement des fils restants



Sélectionner des connecteurs de fils (homologation UL ou CSA) de la taille correcte. Voir la section "Outils et pièces" sur la couverture du guide pour des détails sur les pièces. Connecter le

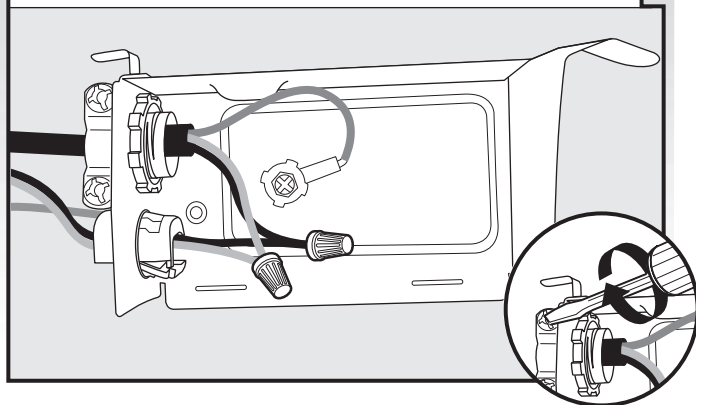
conducteur noir avec le noir et le conducteur blanc avec le blanc à l'aide des connecteurs de fils.

REMARQUE : Ne pas pré-torsader les brins de conducteurs. Installer le connecteur de fils en le faisant pivoter. Tirer doucement sur les conducteurs pour vérifier qu'ils sont bien fixés.

Configuration du câblage

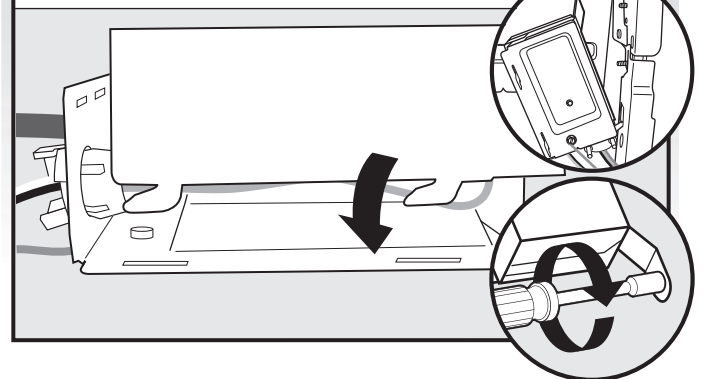
Conducteur d'alimentation électrique :	Conducteur du boîtier de connexion :
blanc	blanc
noir	noir
fil de mise à la terre	connecteur de mise à la terre

6 Cordon d'alimentation électrique - Fixation du cordon sur le serre-câble



Resserrer les vis de serre-câble pour fixer le cordon.

7 Cordon d'alimentation électrique - Réinstallation du couvercle du boîtier de connexion



Placer les conducteurs à l'intérieur du boîtier de connexion. Remettre le couvercle en place en insérant les crochets du couvercle du boîtier de connexion dans les encoches du fond du boîtier de connexion, et en faisant glisser le couvercle bien serré contre le mur arrière où passent les câbles. S'assurer que les câbles sont bien logés à l'intérieur du boîtier et ne sont pas coincés sous le couvercle.

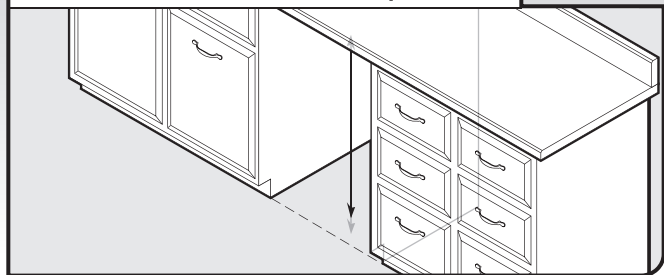
Ensuite, réinstaller le boîtier de connexion sur la grille transversale avec la languette en place. À l'aide d'un tourne-écrou de 1/4" et de la vis précédemment ôtée, fixer le couvercle du boîtier de connexion sur la grille transversale.

REMARQUE : Ne pas brancher dans une prise avant d'en avoir reçu l'instruction.

Une fois le boîtier de connexion de nouveau monté dans le lave-vaisselle, on doit observer que les câbles vert, noir et blanc partant du lave-vaisselle au boîtier de connexion présentent un peu de mou ou un excès de longueur. Enrouler ces câbles sur les composants voisins, ou les rattacher avec les agrafes adjacentes par lesquelles ils passaient avant le retrait du boîtier pour éviter qu'ils ne touchent le sol.

Évaluation de l'ouverture d'encastrement du placard

1 Mesure de l'ouverture d'encastrement du placard

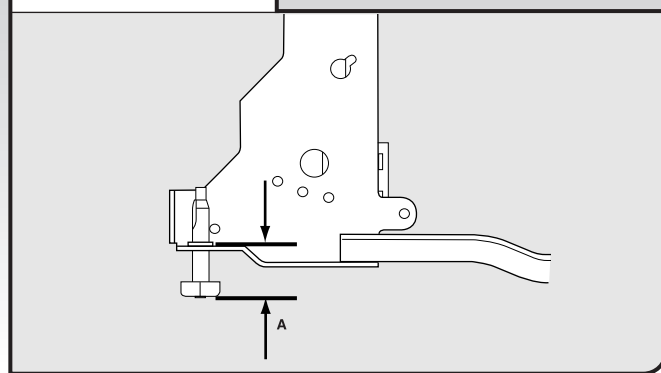


Mesurer la hauteur de l'ouverture d'encastrement du placard entre le dessous du plan de travail et le plancher, à l'emplacement d'installation du lave-vaisselle (la mesure doit être prise entre le point le plus bas depuis le dessous du plan de travail et le point le plus haut du plancher). Consulter le "Tableau de réglage de la hauteur du lave-vaisselle" pour la position des roulettes et la position et la hauteur des roulettes des pieds avant requises pour la hauteur de l'ouverture de placard.

Tableau de réglage de la hauteur du lave-vaisselle

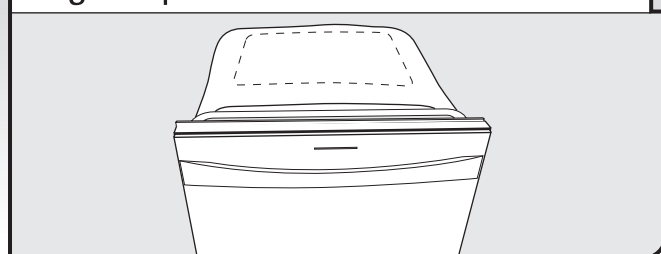
Hauteur de l'ouverture d'encastrement du placard	Hauteur des pieds avant	Position des roulettes	Plaque d'insonorisation/d'isolation
33½" (85,1 mm)	¾" (9,8 mm)	Retirées	Découpée
34" (86,4 cm)	7/8" (22 mm)	1	Non découpée
34¼" (87,0 cm)	1" (25 mm)	2	Non découpée
34½" (87,6 cm)	1⅛" (28,8 mm)	3	Non découpée

Pieds avant - A



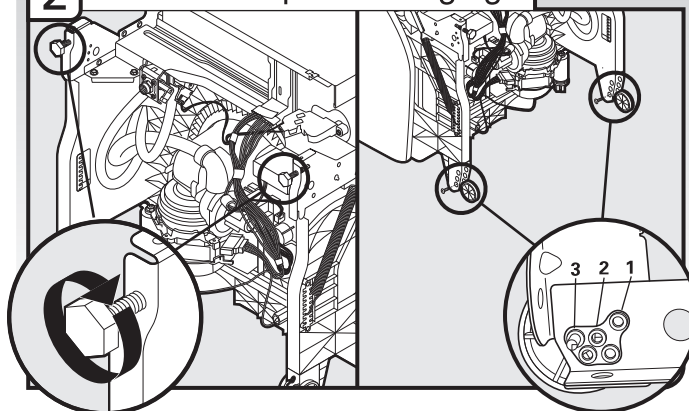
REMARQUE : Si la hauteur libre minimale de l'ouverture d'encastrement du placard est inférieure à 34" (86,4 cm), on peut enlever les roulettes arrière pour obtenir un dégagement supplémentaire. On pourra ainsi installer le lave-vaisselle et la section perforée de la plaque d'insonorisation/d'isolation dans une ouverture d'encastrement du placard élevée de 33½" (85,1 cm), mais il sera plus difficile de déplacer le lave-vaisselle. Les mesures ne sont pas exactes. Les roulettes et les pieds sont pré-réglés à l'usine pour une hauteur de 34½" (87,6 cm).

Découper la plaque d'insonorisation le long des perforations



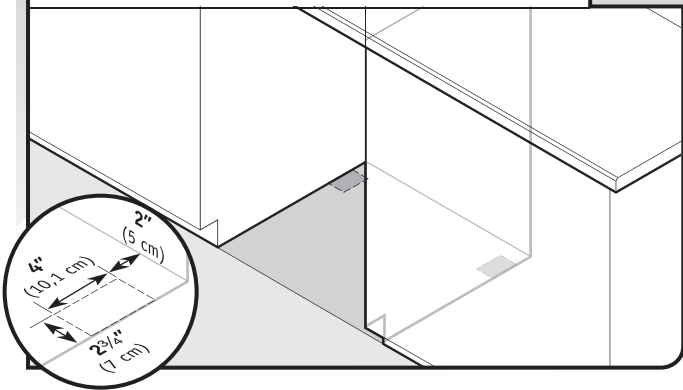
Découper la plaque d'insonorisation le long des perforations pour une ouverture de placard d'une hauteur de 33½" (85,1 cm). Pour les autres hauteurs d'ouverture de placard, ne pas découper.

2 Roulettes et pieds - Réglage



Régler les deux pieds de nivellement à la même hauteur. Placer les roues à la position requise déterminée à partir du "Tableau de réglage de la hauteur du lave-vaisselle".

3 Planchers surélevés - Ajouter des cales si nécessaire

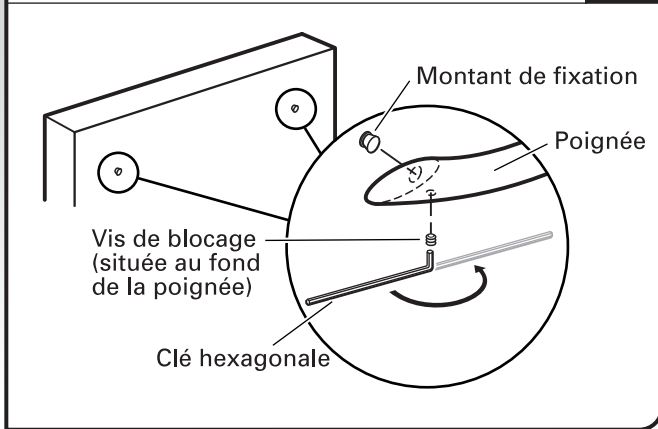


Plancher surélevé : Si le plancher de la cuisine est plus élevé que le plancher de l'ouverture du placard (par exemple, le carrelage du plancher de la cuisine n'arrive pas jusque dans l'ouverture du placard), ajouter des cales selon le besoin dans la zone indiquée pour placer le lave-vaisselle à une hauteur maximale de 34" (86,4 cm) sous le plan de travail.

REMARQUE : Pour éviter tout déplacement des cales durant le fonctionnement du lave-vaisselle, les cales doivent être solidement fixées au plancher.

Installation de la poignée de porte (sur certains modèles)

Installation de la poignée de porte



IMPORTANT : Ne pas érafler le panneau avant au cours de ce processus.

Ôter la poignée de porte et le sachet de pièces contenant les vis de blocage et la clé à tête hexagonale de la boîte en carton. Des vis de blocage sont pré-installées sur la poignée. Placer la poignée sur les poteaux de colombage avec les vis de blocage orientées vers le bas. Pousser la poignée de porte fermement en appui contre la porte. Insérer le côté court de la clé à tête hexagonale dans les vis de blocage. Serrer les vis de blocage d'un 1/4 de tour au-delà de la butée.

- Conserver la clé à tête hexagonale avec les instructions d'installation.

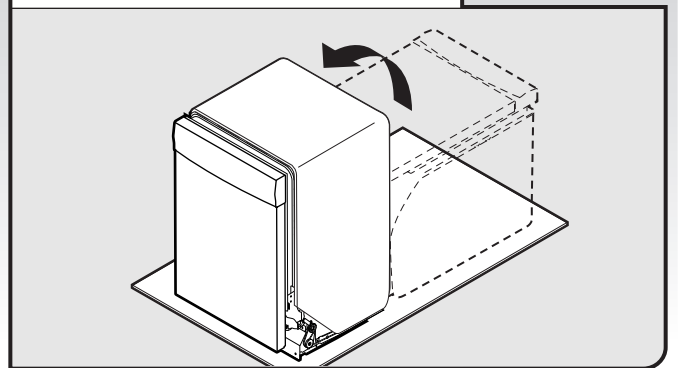
⚠ AVERTISSEMENT

Risque du poids excessif

Utiliser deux personnes ou plus pour déplacer et installer le lave-vaisselle.

Le non-respect de cette instruction peut causer une blessure au dos ou d'autre blessure.

Mise en position verticale du lave-vaisselle



À l'aide d'au moins deux personnes, mettre le lave-vaisselle en position verticale.

REMARQUE : Ne pas installer le garde-pieds avant d'en avoir reçu l'instruction.

Installation du panneau personnalisé (modèles à panneau personnalisé uniquement)

Pour l'installation du panneau personnalisé, consulter les instructions d'installation du panneau personnalisé (référence W10750117A). Compléter l'installation du panneau personnalisé avant de passer à la section "Choix de l'option de fixation".

Choix de l'option de fixation

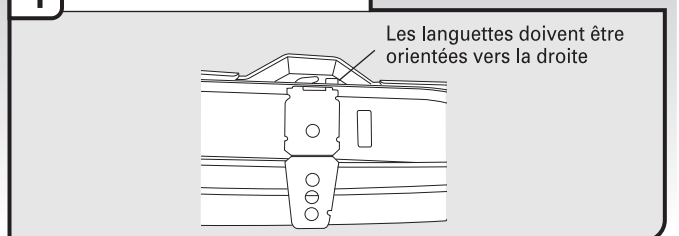
IMPORTANT : Le lave-vaisselle doit être fixé au placard lors de l'une des étapes finales. Préparer le lave-vaisselle pour cette opération en y fixant les deux attaches placées dans le sachet de pièces.

Fixer les attaches en suivant les instructions de l'option A si le plan de travail est en bois, en revêtement stratifié ou s'il est composé d'un autre matériau de surface similaire.

Si le plan de travail est en marbre, en granite ou autre matériau solide, effectuer l'installation en suivant l'option B.

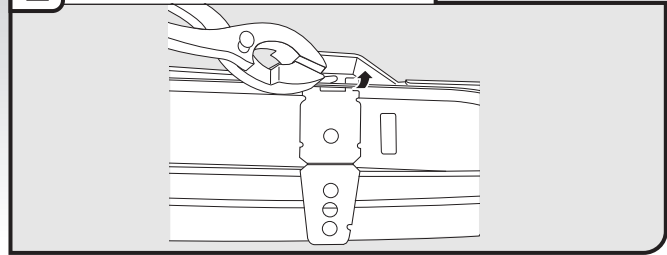
Option A, Fixation au plan de travail :

1 Insertion de la bride



Retirer les brides de l'emballage et les insérer dans les fentes ouvertes sur les côtés supérieurs droit et gauche du collet du lave-vaisselle, tel qu'indiqué.

2 Rabattre la languette



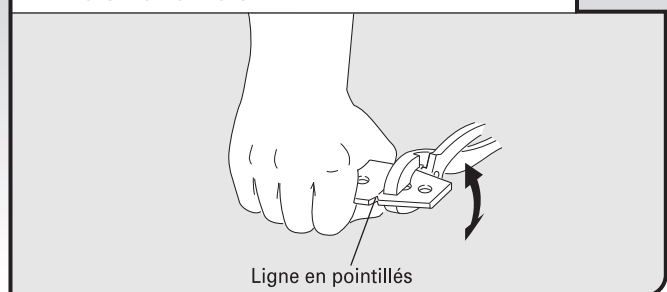
À l'aide d'une pince, replier la languette vers le bas pour fixer la bride. Répéter cette étape pour l'autre côté.

REMARQUE : Ne pas fixer le lave-vaisselle. Ceci sera fait ultérieurement.

Option B, Fixation au côté du lave-vaisselle :

REMARQUE : Retirer les brides du sachet de pièces.

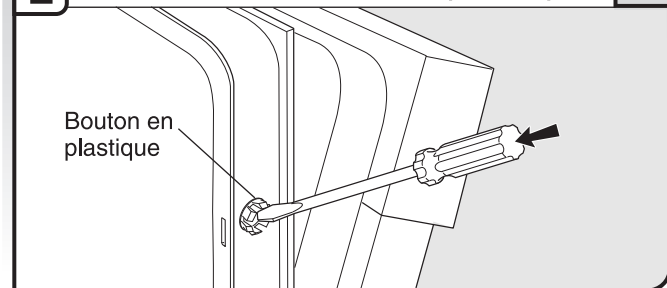
1 Sectionnement de l'extrémité de la bride



Briser l'extrémité de la bride le long de la ligne en pointillés.

Avec l'aide d'une autre personne pour maintenir l'arrière du lave-vaisselle et l'empêcher de basculer, ouvrir la porte du lave-vaisselle et placer une serviette sur la pompe et le bras d'aspersion du lave-vaisselle. Ceci empêchera les vis de tomber dans la pompe lors de la fixation du lave-vaisselle au placard.

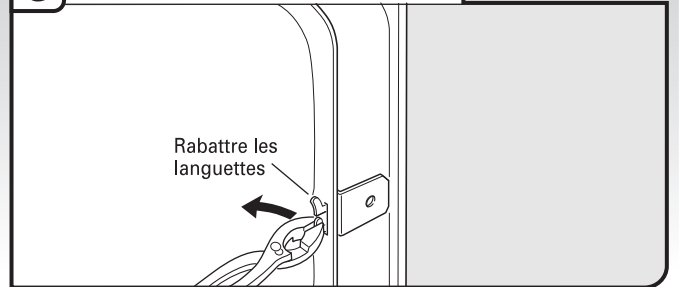
2 Retirer les boutons en plastique



Pousser sur les boutons en plastique pour les extraire du côté de la cuve.

REMARQUE : Conserver les boutons à part pour recouvrir les trous une fois le lave-vaisselle installé.

3 Installation de la bride

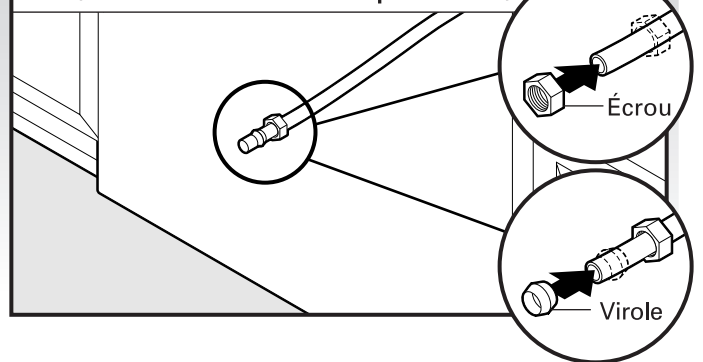


Enfoncer la bride dans la fente sur le côté du lave-vaisselle et replier la languette vers le côté du lave-vaisselle afin de maintenir la bride en place. Répéter cette étape pour l'autre côté du lave-vaisselle.

REMARQUE : Ne pas fixer le lave-vaisselle. Ceci sera fait ultérieurement.

Préparation de la canalisation d'alimentation en eau

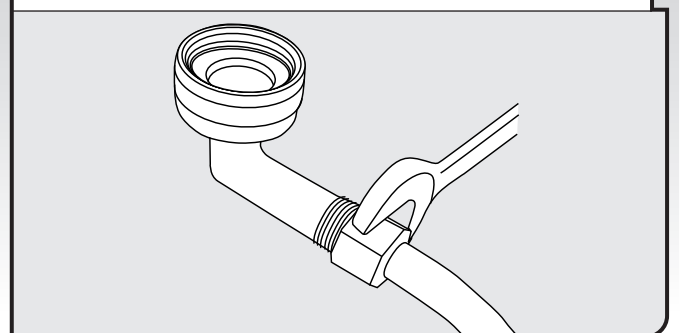
1 Enfiler l'écrou et la virole sur le tube (tube de cuivre uniquement)



Canalisation en cuivre uniquement : Enfiler l'écrou puis la virole sur la canalisation de cuivre, sur environ 1" (2,5 cm).

REMARQUE : Pour réduire les vibrations durant le fonctionnement, acheminer la canalisation d'alimentation en eau de telle manière qu'elle ne touche pas la base, le châssis ou le moteur de l'appareil.

2 Raccorder le raccord coudé de 90° à la canalisation d'alimentation en eau



Se procurer un raccord de tuyau de $\frac{3}{8}$ " x $\frac{3}{4}$ " d'extrémité de compression avec coude à 90 degrés. Voir la section "Outils et

pièces" sur la couverture du guide pour des détails sur les pièces et pour commander. Raccorder le raccord de compression de $\frac{3}{4}$ " du coude à 90° à la canalisation d'alimentation en eau avant d'installer l'appareil dans l'ouverture découpée dans le placard.

Canalisation en cuivre uniquement : Insérer la canalisation dans le raccord coudé de 90° aussi loin que possible (la canalisation en cuivre se plie et s'écrase facilement). Faire glisser l'écrou et la virole vers l'avant et engager l'écrou sur le filetage du raccord coudé.

Raccord flexible tressé : Fixer l'écrou sur le coude à l'aide d'une clé plate ou d'une clé à molette de $\frac{5}{8}$ ".

REMARQUE : Ne pas utiliser de ruban adhésif Teflon®† avec les raccords de compression.

Déplacement du lave-vaisselle à proximité de l'ouverture d'encastrement du placard

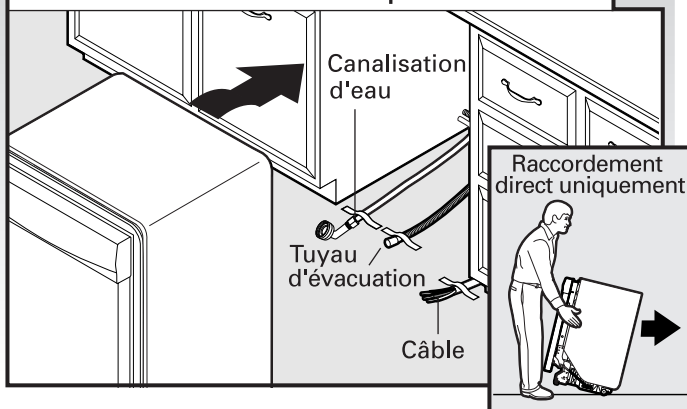
⚠ AVERTISSEMENT

Risque du poids excessif

Utiliser deux personnes ou plus pour déplacer et installer le lave-vaisselle.

Le non-respect de cette instruction peut causer une blessure au dos ou d'autre blessure.

1 Déplacement du lave-vaisselle à proximité de l'ouverture d'encastrement du placard



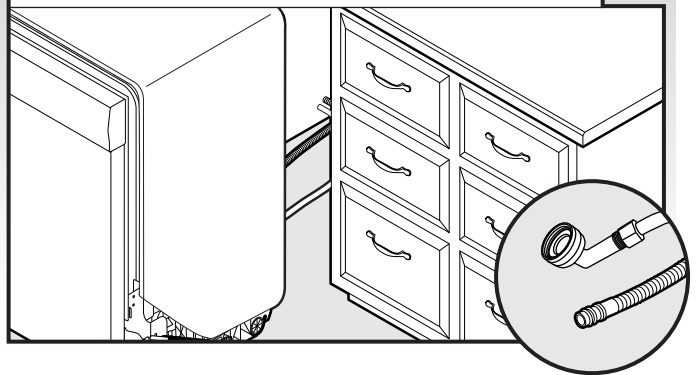
Utiliser deux personnes ou plus pour déplacer et installer le lave-vaisselle.

IMPORTANT : Vérifier que le câblage et les canalisations sont installés au bon endroit. Saisir les côtés du lave-vaisselle par les rebords du panneau de porte. Incliner le lave-vaisselle vers l'arrière sur ses roulettes et approcher l'appareil de l'ouverture dans le placard.

REMARQUE : Ne pas pousser sur l'avant du panneau ou sur la console. Ceci pourrait laisser des indentations sur le panneau ou la console.

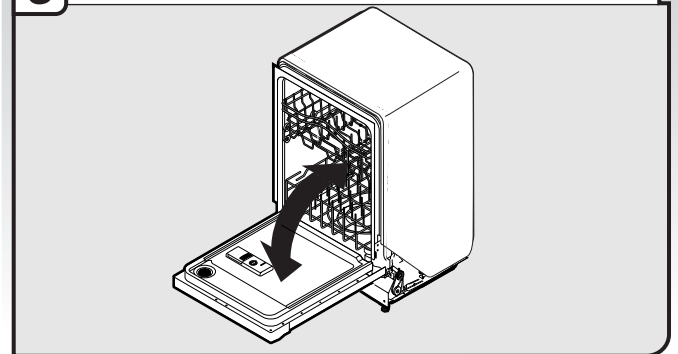
Conseil utile : Fixer temporairement le câblage et les canalisations au plancher avec du ruban adhésif aux emplacements indiqués pour l'empêcher de bouger lors de l'insertion du lave-vaisselle dans l'ouverture du placard.

2 Vérification de la position de la canalisation d'eau et du tuyau d'évacuation



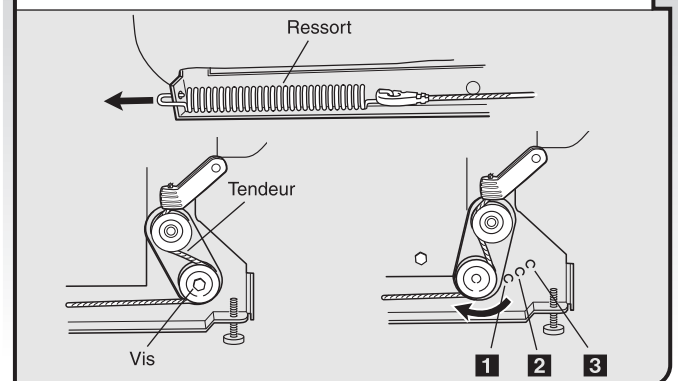
Vérifier que la canalisation d'eau se trouve sur le côté gauche de l'ouverture du placard, et que le tuyau d'évacuation se trouve près du centre de l'ouverture du placard.

3 Ouverture et fermeture de la porte



Alors qu'une autre personne retient l'appareil pour l'empêcher de basculer, ouvrir et refermer la porte plusieurs fois. Si la porte se ferme ou s'ouvre sous l'effet de son propre poids, il sera nécessaire d'ajuster la tension du ressort de la porte.

4 Se ferme trop rapidement – Réduction de la tension du ressort



Pour régler la tension du ressort de la porte, détacher le ressort du pied arrière du lave-vaisselle.

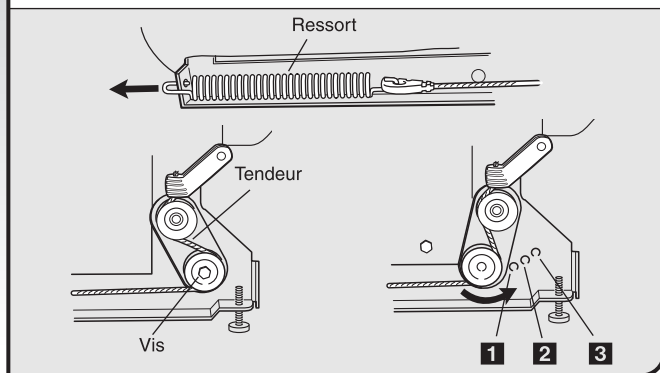
À l'aide d'un tourne-écrou ou d'une clé à douille à tête hexagonale de $\frac{5}{16}$ " , ôter la vis du tendeur.

†®TEFLON est une marque déposée de E.I. Du Pont De Nemours et compagnie.

La vis peut être placée dans l'un des trois trous (1, 2, 3) dans le pied avant du lave-vaisselle. Si la porte se ferme d'elle-même, déplacer le tendeur vers un trou numéroté inférieur et replacer la vis. Fixer à nouveau le ressort de la porte au pied arrière.

REMARQUE : Les tendeurs des deux côtés du lave-vaisselle doivent être fixés aux mêmes trous.

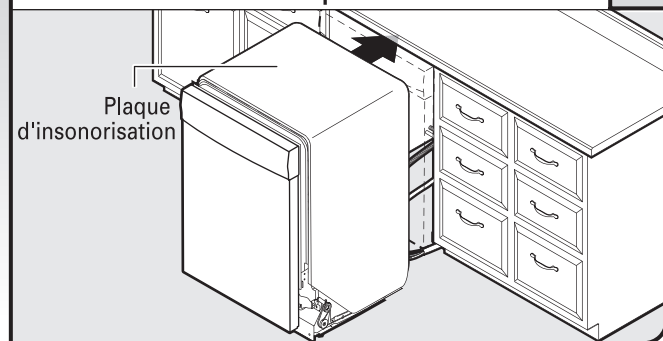
5 La porte s'ouvre et retombe - Augmentation de la tension du ressort



Lorsque la porte est déverrouillée, si elle s'ouvre d'elle-même, déplacer le tendeur vers un trou numéroté supérieur et replacer la vis. Fixer à nouveau le ressort de la porte au pied arrière.

REMARQUE : Les tendeurs des deux côtés du lave-vaisselle doivent être fixés aux mêmes trous.

6 Insertion du lave-vaisselle dans l'ouverture du placard

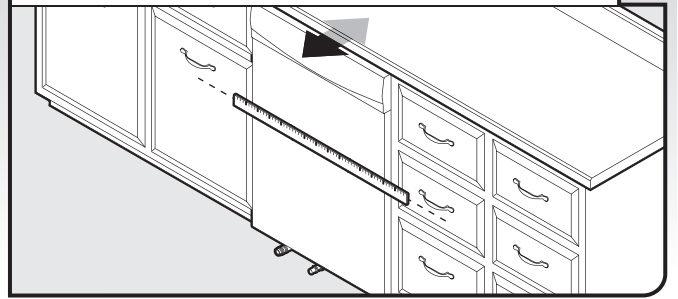


IMPORTANT : Si l'on enlève les roulettes, protéger le plancher lors des déplacements du lave-vaisselle. Insérer lentement et complètement le lave-vaisselle dans l'ouverture d'encastrement du placard. Veiller à ne pas coincer ou déformer la canalisation, le tuyau d'évacuation, le cordon d'alimentation ou le câble de raccordement direct entre le lave-vaisselle et le placard. Enlever le carton placé sous le lave-vaisselle.

REMARQUES :

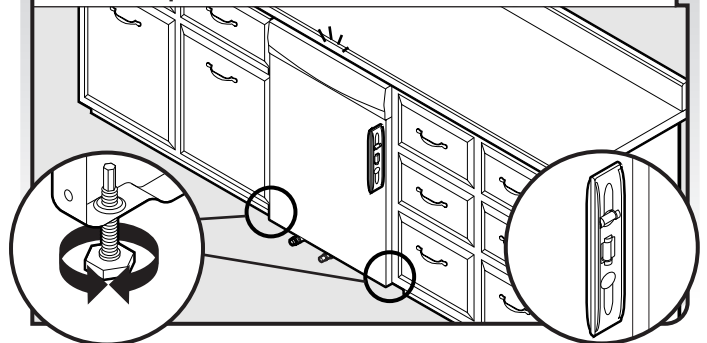
- Le fait qu'il n'y ait que peu d'espace entre le lave-vaisselle et l'ouverture d'encastrement du placard ne pose pas de problème. Ne pas enlever la plaque d'insonorisation – celle-ci réduit le niveau sonore.
- En cas d'utilisation d'un cordon d'alimentation, veiller à acheminer l'extrémité de celui-ci dans le trou de l'ouverture découpée avant d'insérer le lave-vaisselle dans l'ouverture du placard.
- Pour les modèles équipés d'un adoucisseur d'eau, s'assurer que le tuyau de vidange reste accroché sur le support situé du côté droit et qu'il est rangé sur le côté de l'appareil.

7 Alignement de l'avant du lave-vaisselle avec l'avant des portes de placard



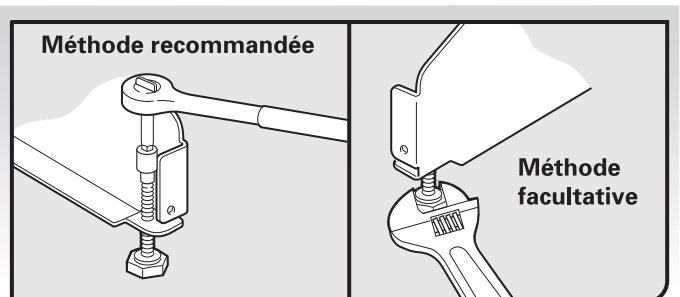
Aligner l'avant du panneau de porte du lave-vaisselle avec l'avant des portes des placards. Il faudra peut-être ajuster l'alignement de celui-ci pour qu'il soit en affleurement avec les placards.

8 Vérification de l'aplomb et réglage des pieds si nécessaire

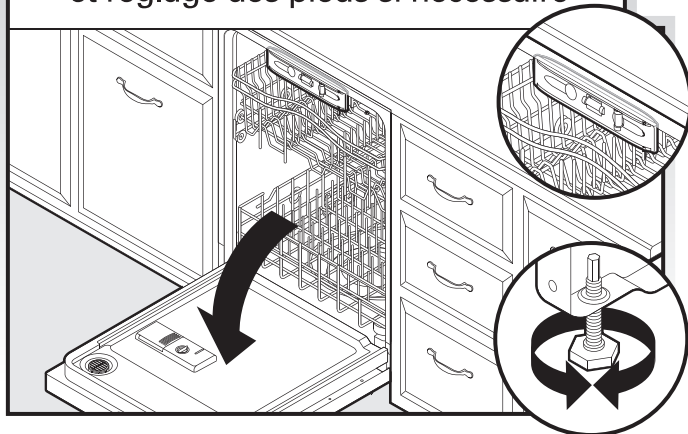


Vérifier que chaque pied de réglage de l'aplomb est fermement en appui sur le sol. Fermer et verrouiller la porte; placer un niveau contre le panneau avant. Vérifier que le lave-vaisselle est centré de l'avant vers l'arrière dans l'ouverture. Si nécessaire, régler le pied de nivellement jusqu'à ce que le lave-vaisselle soit d'aplomb. Répéter ces opérations pour l'autre côté du lave-vaisselle.

Conseil utile : Pousser contre l'avant du lave-vaisselle pour le soulever et pouvoir ajuster les pieds avant. Pour certaines installations, il peut être plus facile de régler le pied avant à l'aide d'une clé à douille hexagonale ou une clé à molette de $\frac{3}{16}$ ".



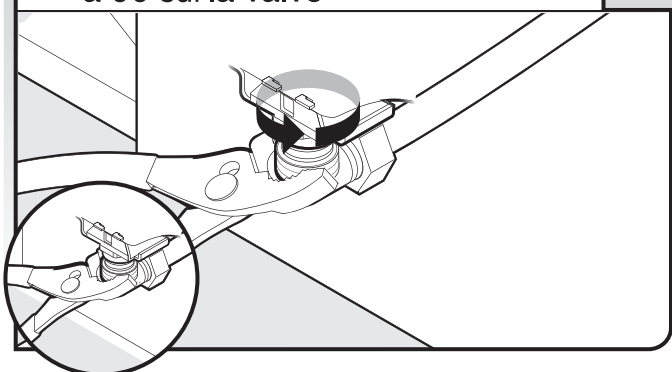
9 Vérification de l'aplomb transversal et réglage des pieds si nécessaire



Placer le niveau contre la partie supérieure de l'ouverture avant de la cuve. Vérifier l'aplomb transversal de l'appareil. Si le lave-vaisselle n'est pas d'aplomb, régler la hauteur des pieds avant vers le haut ou vers le bas jusqu'à ce que le lave-vaisselle soit d'aplomb.

Raccordement à l'alimentation en eau

1 Serrage du raccord coudé à 90° sur la valve



S'assurer que la rondelle de caoutchouc est correctement installée dans le raccord. Enfiler le raccord de $\frac{3}{4}$ " du coude à 90° jusqu'au robinet et serrer à la main pour éviter de visser de travers. Serrer à la main jusqu'à ce que le raccord soit serré.

À l'aide d'une pince, vérifier l'étanchéité du raccord. $\frac{1}{4}$ à $\frac{1}{2}$ tour supplémentaire peut s'avérer nécessaire pour créer l'étanchéité du joint de caoutchouc.

REMARQUE : Ne pas trop serrer. Le raccord risque d'être endommagé.

2 Recherche de fuites

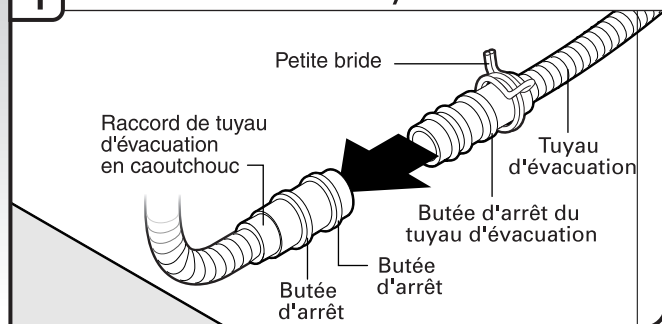


Placer une serviette de papier sous le raccord coudé à 90°. Ouvrir l'alimentation en eau et inspecter pour identifier toute fuite. Si une fuite se produit, répéter l'étape précédente.

REMARQUE : Ne pas utiliser de ruban adhésif Teflon®/teflon® avec les raccords de compression.

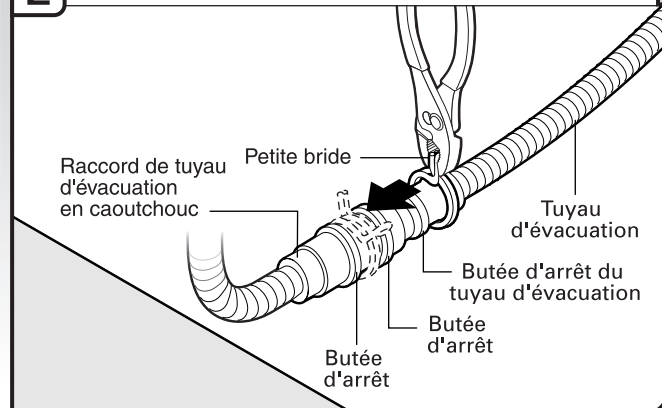
Raccordement au circuit d'évacuation

1 Raccordement du tuyau d'évacuation

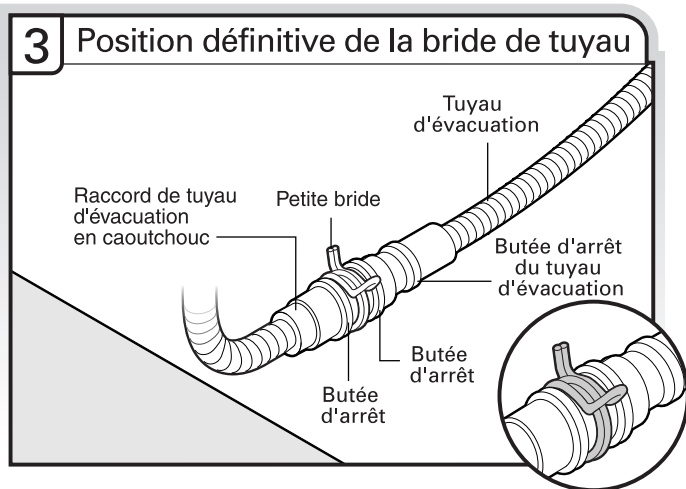


Placer une serviette sous le tuyau d'évacuation pour récupérer l'eau restée dans le tuyau d'évacuation. Placer la petite bride pour tuyau d'évacuation sur la petite extrémité du tuyau d'évacuation. Enfoncer le tuyau d'évacuation neuf dans le connecteur en caoutchouc du tuyau d'évacuation jusqu'à la butée d'arrêt du tuyau d'évacuation.

2 Enfilement de la bride sur le raccord



À l'aide d'une pince, ouvrir la petite bride de tuyau d'évacuation en la serrant et la faire glisser sur le connecteur, entre les butées.

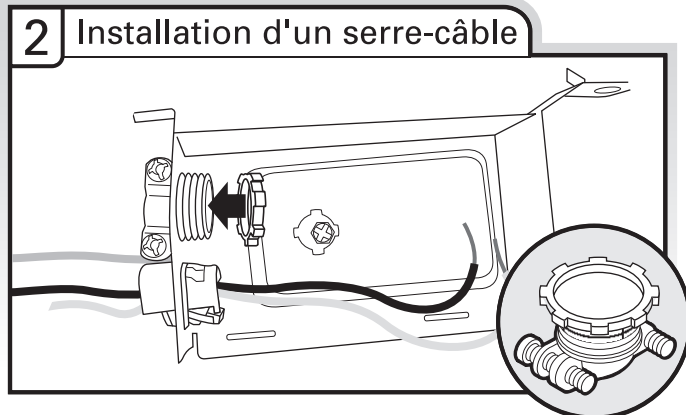
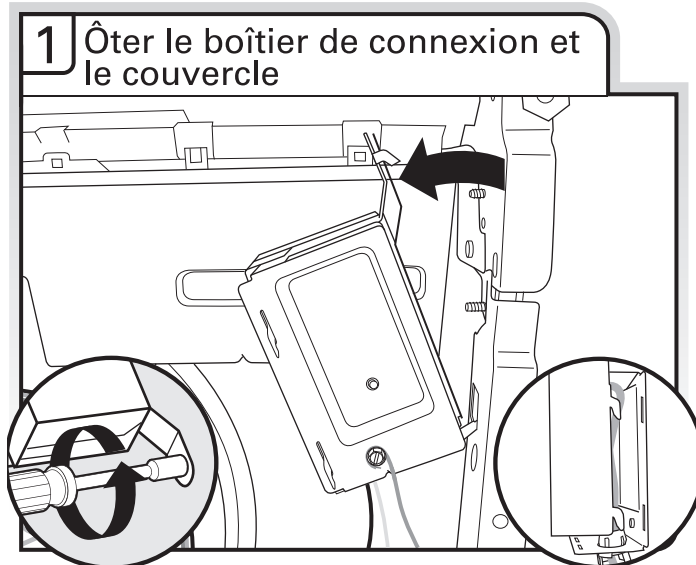


Une fois le tuyau raccordé, ôter la serviette.

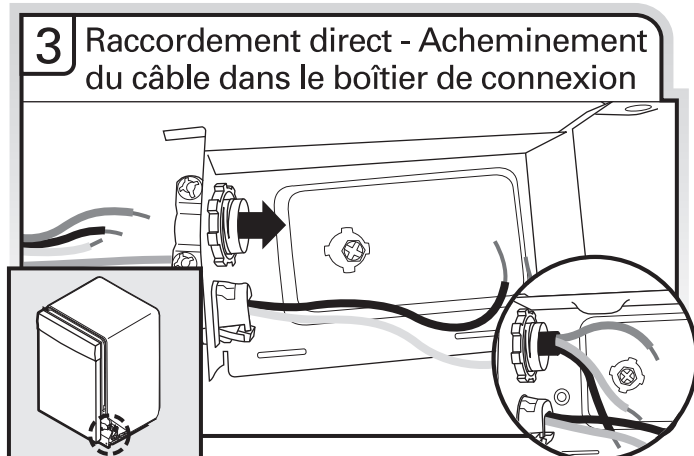
Raccordement électrique direct

REMARQUE : Si le cordon d'alimentation a été raccordé précédemment, passer à la section "Fixation du lave-vaisselle dans l'ouverture d'encastrement du placard".

Option B - Raccordement direct



Installer un serre-câble métallique (homologation UL ou CSA). Voir la section "Outils et pièces" sur la couverture du guide pour des détails sur les pièces et pour commander.



Acheminer le cordon d'alimentation de façon à ce qu'il ne touche ni le moteur du lave-vaisselle, ni la partie inférieure de la cuve du lave-vaisselle. Tirer le câble pour le faire passer à travers le serre-câble (homologation UL/CSA) dans le boîtier de connexion.

Remarque : Un maximum de deux conducteurs d'alimentation (calibre 12 AWG maximum) plus un conducteur de mise à la terre est autorisé dans le boîtier de connexion.

⚠ AVERTISSEMENT



Risque de choc électrique

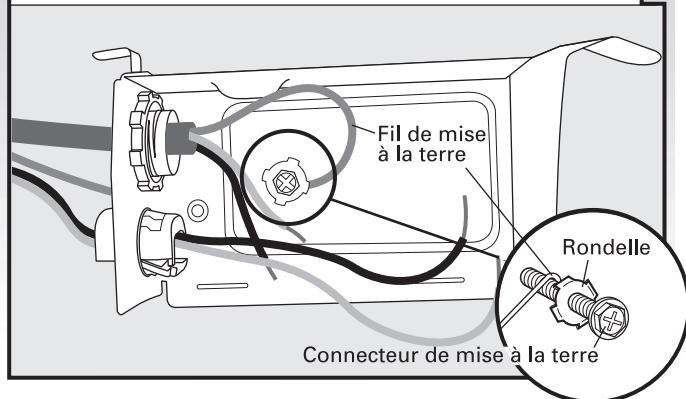
Relier le lave-vaisselle à la terre d'une méthode électrique.

Brancher le fil relié à la terre au connecteur vert relié à la terre dans la boîte de la borne.

Ne pas utiliser un câble de rallonge.

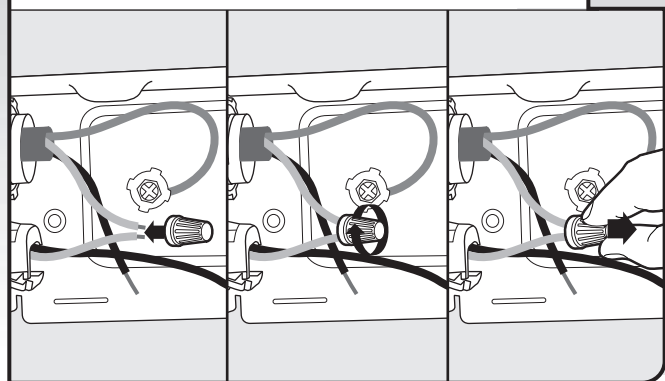
Le non-respect de ces instructions peut causer un décès, un incendie ou un choc électrique.

4 Raccordement direct - Raccordement du fil de mise à la terre



Former un crochet en U avec le conducteur nu de liaison à la terre. Enrouler le crochet du conducteur de liaison à la terre sur la vis de liaison à la terre sur le plancher surélevé à l'intérieur de la boîte et sous la rondelle (dans le sens horaire). Serrer fermement le connecteur de liaison à la terre.

5 Raccordement direct - Raccordement des fils restants



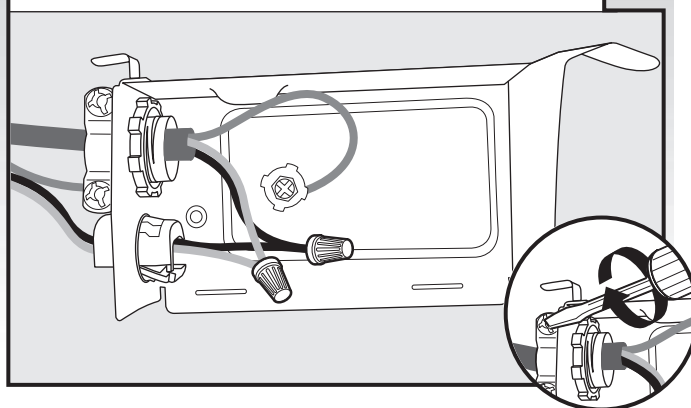
Sélectionner des connecteurs de fils (homologation UL ou CSA) de la taille correcte. Voir la section "Outils et pièces" sur la couverture du guide pour des détails sur les pièces. Connecter le conducteur noir avec le noir et le conducteur blanc avec le blanc à l'aide des connecteurs de fils.

REMARQUE : Ne pas pré-torsader les brins de conducteurs. Installer le connecteur de fils en le faisant pivoter. Tirer doucement sur les conducteurs pour vérifier qu'ils sont bien fixés.

Configuration du câblage

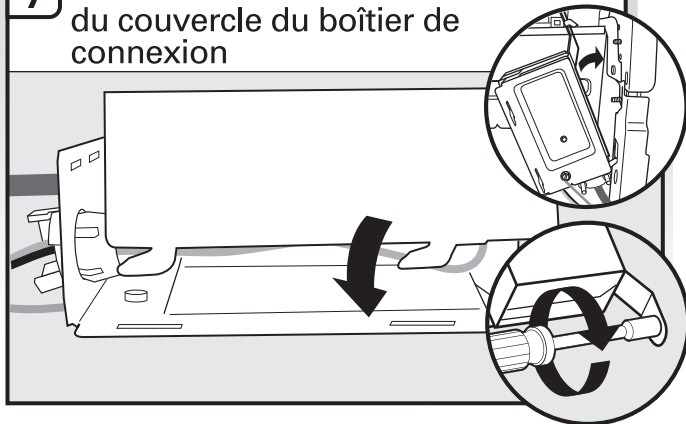
Conducteur d'alimentation électrique :	Conducteur du boîtier de connexion :
blanc	blanc
noir	noir
fil de mise à la terre	connecteur de mise à la terre

6 Raccordement direct - Fixation du câble dans le serre-câble



Resserrer les vis de serre-câble pour fixer le cordon. S'assurer que les têtes de vis soient orientées vers le haut lors du serrage de l'écrou à conduit.

7 Raccordement direct - Réinstallation du couvercle du boîtier de connexion

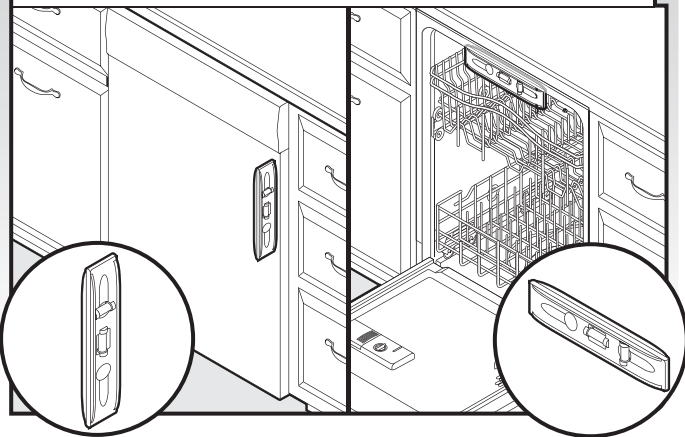


Placer les conducteurs à l'intérieur du boîtier de connexion. Remettre le couvercle en place en insérant les crochets du couvercle du boîtier de connexion dans les encoches du fond du boîtier de connexion, et en faisant glisser le couvercle bien serré contre le mur arrière où passent les câbles. S'assurer que les câbles sont bien logés à l'intérieur du boîtier et ne sont pas coincés sous le couvercle. Ensuite, réinstaller le boîtier de connexion sur la grille transversale avec la languette en place. À l'aide d'un tourne-écrou de 1/4" et de la vis précédemment ôtée, fixer le couvercle du boîtier de connexion sur la grille transversale.

Une fois le boîtier de connexion de nouveau monté dans le lave-vaisselle, on doit observer que les câbles vert, noir et blanc partant du lave-vaisselle au boîtier de connexion présentent un peu de mou ou un excès de longueur. Enrouler ces câbles sur les composants voisins, ou les rattacher avec les attaches voisines par lesquelles ils passaient avant le retrait du boîtier pour éviter qu'ils ne touchent le sol.

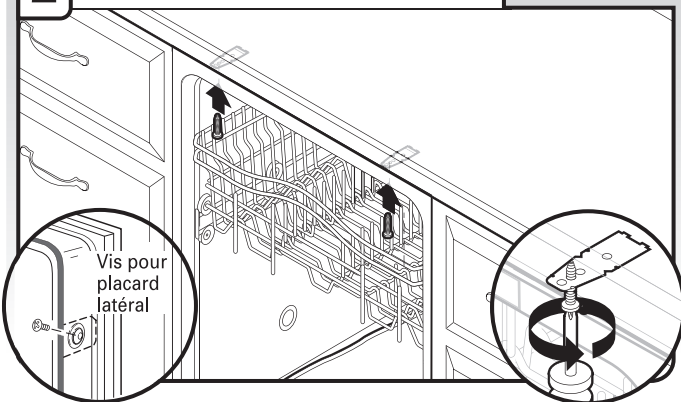
Fixation du lave-vaisselle dans l'ouverture d'encastrement du placard

1 Vérification de l'alignement du lave-vaisselle dans l'ouverture du placard



Vérifier que le lave-vaisselle est toujours d'aplomb d'avant en arrière et transversalement dans l'ouverture d'encastrement du placard.

2 Fixation du lave-vaisselle



Ouvrir la porte du lave-vaisselle pour préparer la fixation de l'appareil au placard.

REMARQUES :

- Le lave-vaisselle doit être immobilisé pour l'empêcher de basculer lors de l'ouverture de la porte.
- Ne pas faire tomber de vis au fond du lave-vaisselle.

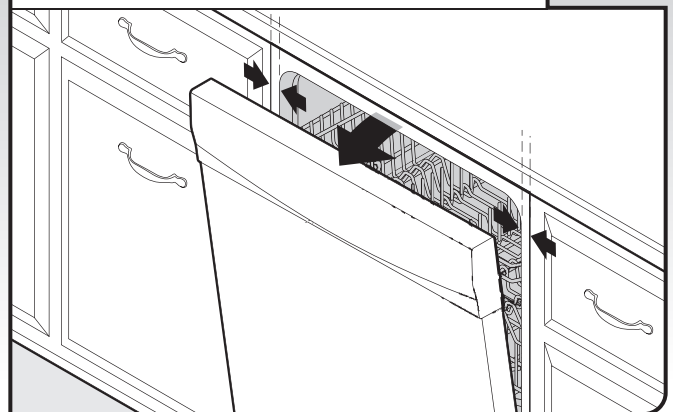
Option 1 - Fixation du lave-vaisselle au plan de travail

- Localiser les brides installées sur le dessus du lave-vaisselle (au moment de la méthode de choix de fixation).
- Assujettir le lave-vaisselle au plan de travail avec deux vis Phillips n° 10 x 1/2" (incluses).

Option 2 - Montage latéral du lave-vaisselle au placard.

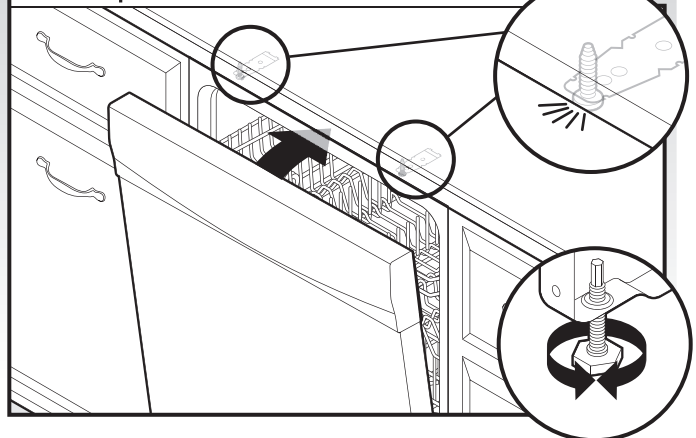
- Localiser les brides installées sur les côtés du lave-vaisselle (au moment de la méthode de choix de fixation).
- Percer des avant-trous dans le placard pour éviter toute fente dans le bois.
- Assujettir le lave-vaisselle au placard avec deux vis Phillips n° 10 x 1/2" (incluses).

3 Vérification de l'espacement à l'intérieur



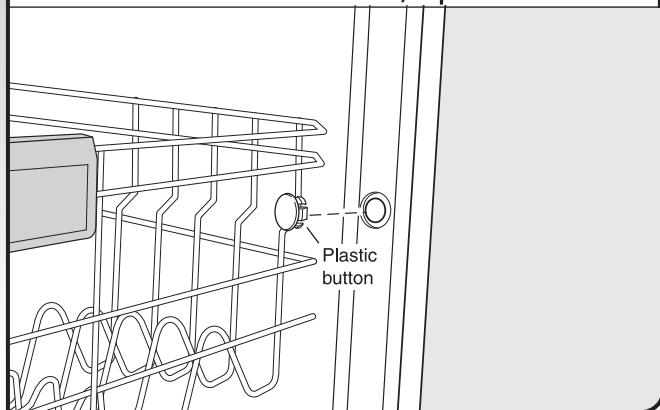
Ouvrir la porte et vérifier que la distance entre l'ouverture du placard pour l'installation du lave-vaisselle et la cuve est la même des deux côtés. Si l'espace n'est pas identique des deux côtés, desserrer les vis des brides d'arrimage et déplacer légèrement la cuve. Resserrer les vis des brides.

4a Vérifier le dégagement de la porte - Méthode de fixation, option 1



Vérifier qu'il n'y a aucun contact entre le sommet de la porte et les vis, les brides ou le plan de travail. Régler les pieds de nivellement le cas échéant.

4b Vérifier le dégagement de la porte - Méthode de fixation, option 2



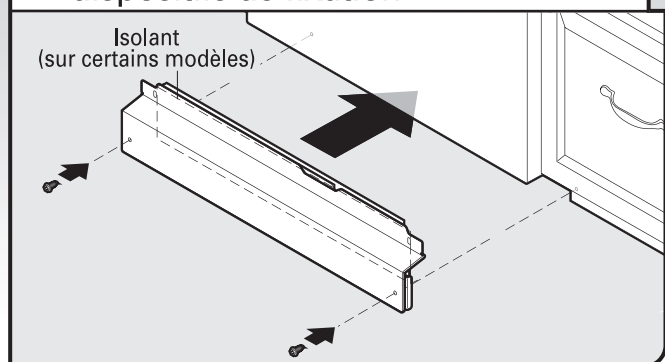
En cas de fixation latérale, vérifier que les côtés de la porte ne frottent pas contre les têtes de vis. S'il y a frottement, centrer à nouveau le lave-vaisselle. Lorsque le lave-vaisselle est bien centré, remettre en place les boutons en plastique.

Achever l'installation

Vérifier l'absence de tout contact entre le fil ou le cordon d'alimentation et le moteur du lave-vaisselle ou la partie inférieure de la cuve du lave-vaisselle.

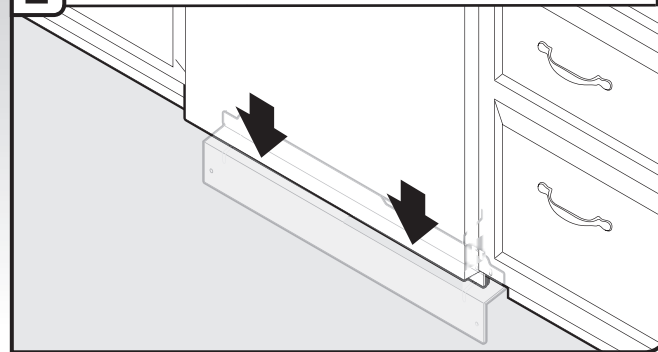
Option A : Installation du panneau d'accès – Panneau en plastique

1 Réinstaller le panneau d'accès et les dispositifs de fixation



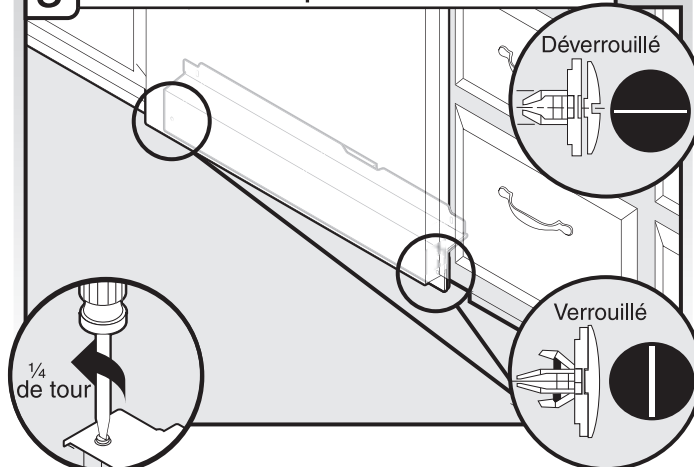
Placer le panneau d'accès en plastique contre le pied du lave-vaisselle.

2 Inspecter le bord du panneau d'accès



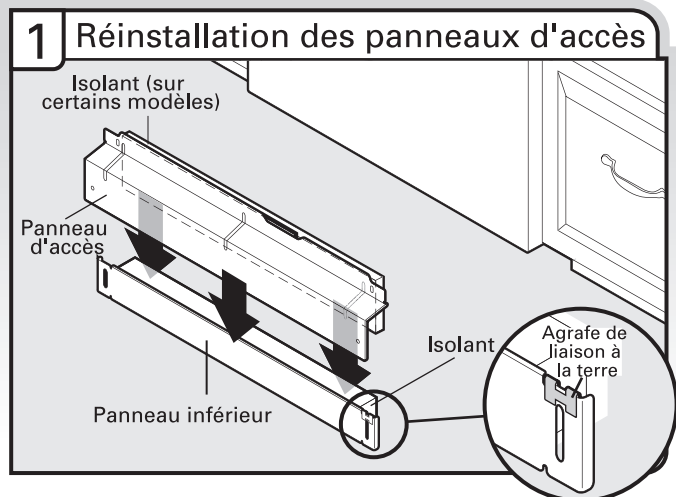
Vérifier que la rive inférieure du panneau d'accès est au contact du plancher. La réajuster au besoin.

3 Serrer les dispositifs de fixation

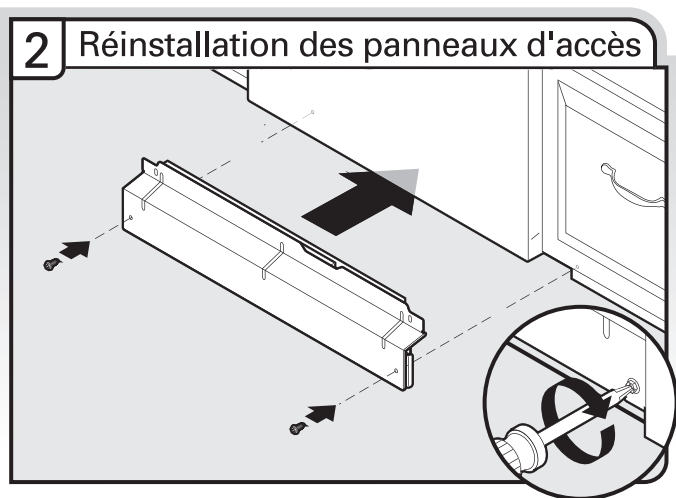


À l'aide d'un tournevis à lame plate, tourner les dispositifs de fixation d'un quart de tour dans le sens horaire pour les emboîter. L'encoche des dispositifs de fixation est complètement à la verticale lorsqu'ils sont correctement emboîtés.

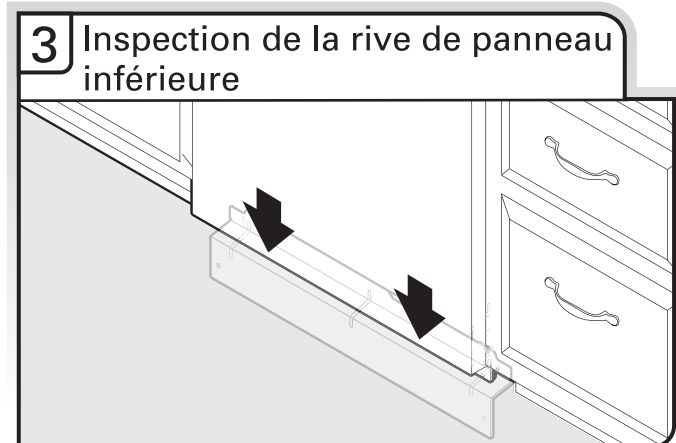
Option B : Installation du panneau d'accès – Panneau métallique



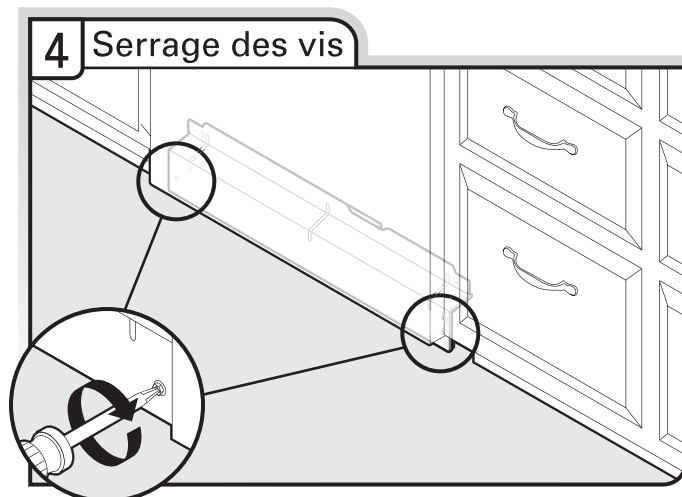
Vérifier que l'agrafe de liaison à la terre est fixée sur le panneau inférieur. Placer le panneau inférieur derrière le panneau d'accès. Sur certains modèles, il y a sur le panneau d'accès un matériau isolant qui devra être inséré derrière l'isolant du panneau inférieur.



Maintenir les 2 panneaux ensemble et les placer contre les pieds du lave-vaisselle. À l'aide d'un tournevis Philips ou tournevis de 1/4", réinstaller les vis à travers les trous du panneau d'accès et les fentes du panneau inférieur.



Vérifier que la rive inférieure du panneau inférieur est au contact du plancher. La réajuster au besoin.



Serrer les vis du panneau d'accès.

⚠ AVERTISSEMENT



Risque de choc électrique

Brancher sur une prise à 3 alvéoles reliée à la terre.

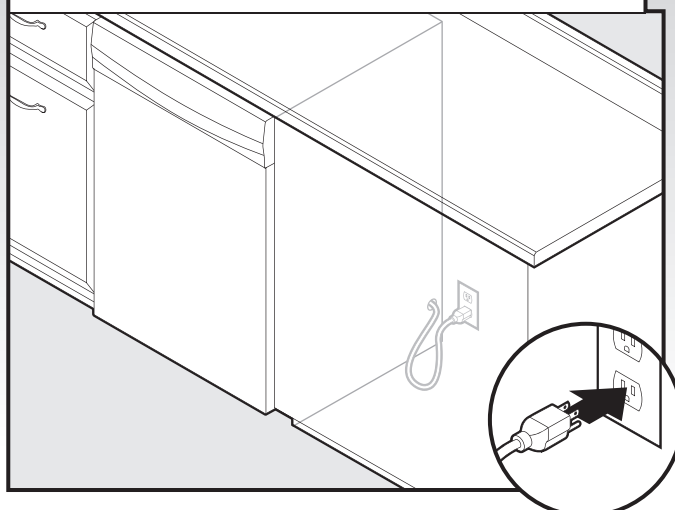
Ne pas enlever la broche de liaison à la terre.

Ne pas utiliser un adaptateur.

Ne pas utiliser un câble de rallonge.

Le non-respect de ces instructions peut causer un décès, un incendie ou un choc électrique.

1 Cordon d'alimentation électrique - Branchement dans une prise à 3 alvéoles reliée à la terre



Rétablir la source de courant électrique

1 Reconnexion de la source de courant électrique

Reconnecter la source de courant électrique au niveau du tableau de distribution ou du disjoncteur.

Contrôle du fonctionnement

- Lire les instructions d'utilisation du lave-vaisselle fournies avec le lave-vaisselle.
- Vérifier que toutes les pièces ont été installées et qu'aucune étape n'a été omise. Vérifier la présence de tous les outils.
- Mettre le lave-vaisselle en marche et commander l'exécution complète du programme de lavage le plus court. Après les deux premières minutes, déverrouiller la porte; attendre cinq secondes, puis ouvrir la porte. Vérifier qu'il y a bien de l'eau au fond de la cuve du lave-vaisselle. Vérifier que le lave-vaisselle fonctionne correctement.

Si ce n'est pas le cas, déconnecter la source de courant électrique ou débrancher le lave-vaisselle et voir la section "Si le lave-vaisselle ne fonctionne pas".

Si le lave-vaisselle ne fonctionne pas

Essayer d'abord les solutions suggérées ici pour éviter le coût d'une intervention de dépannage.

- Disjoncteur ouvert ou fusible grillé?
- Porte bien fermée et verrouillée?
- Sélection correcte du programme pour le démarrage du lave-vaisselle?
- Arrivée d'eau ouverte?

Si aucune de ces vérifications ne résout le problème, consulter les instructions d'utilisation du lave-vaisselle pour obtenir les coordonnées.

Conseils supplémentaires

Prévoir des durées de lavage plus longues. La durée d'exécution des programmes de votre nouveau lave-vaisselle est d'environ 2 à 3 heures par charge, mais il utilise presque 40 % d'énergie de moins que des modèles plus anciens. Conçu pour une faible consommation d'ensemble avec un moteur à faible consommation d'énergie, votre lave-vaisselle lave plus longtemps pour garantir un lavage d'exception. Certains modèles sont dotés d'un capteur optique de niveau d'eau; pour ces modèles, le premier programme doit se calibrer en fonction du capteur optique et est donc plus long que les autres. La sélection de certaines options peut entraîner un allongement de la durée du programme et mener à une durée totale de plus de 3,5 heures.

L'agent de rinçage est essentiel pour un séchage satisfaisant : Afin d'obtenir un bon séchage et pour limiter l'accumulation de dépôts d'eau dure, ce lave-vaisselle est conçu pour être utilisé avec un agent de rinçage. Les lave-vaisselle éco-énergétiques consomment moins d'eau et d'énergie. Ils dépendent donc de l'effet "nappe d'eau" d'un agent de rinçage pour fournir un bon séchage.

Il est possible que le témoin lumineux Start/Resume (mise en marche/reprise) clignote : Lorsque l'on appuie sur Start/Resume, (mise en marche/reprise), veiller à fermer la porte dans les 3 secondes qui suivent. Si l'on ne ferme pas la porte dans les 3 secondes qui suivent, le témoin lumineux Start/Resume (mise en marche/reprise) clignote jusqu'à ce que l'on appuie à nouveau dessus. (Cette opération est également nécessaire lors de l'ajout d'un plat au cours d'un programme.)

