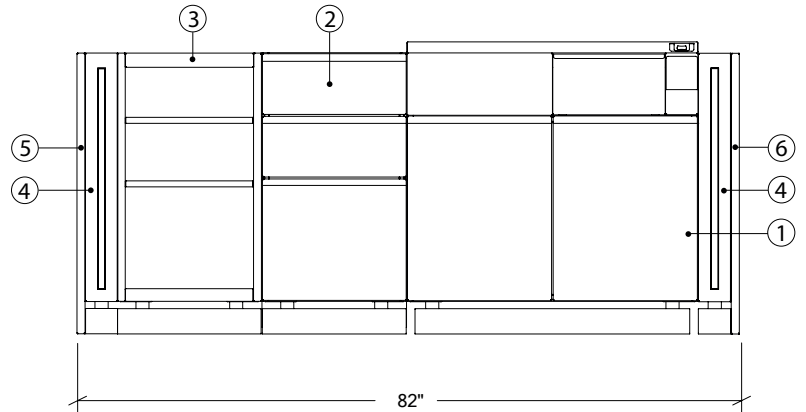


OUTDOOR KITCHEN CABINETS IN STAINLESS STEEL

# HROK-KTC-805204 | LINE

## Kit HAPPY HOUR Essential



This set includes:

ITEM	SKU	DESCRIPTION	QUANTITY
1	HROK-SSJ7-800207	36" Bar Station 2 Doors	1
2	HROK-ST3D-800220	18" Storage Cabinet 3 drawers	1
3	HROK-STOM-800021	18" Open Shelves Cabinet	1
4	HROK-LEDL-800037	4" Linear LED Lighting module	2
5	HROK-EFLR-800043	1" End Filler pannel left end	1
6	HROK-EFLR-800044	1" End Filler pannel right end	1

**Note :**

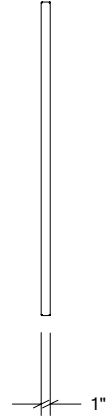
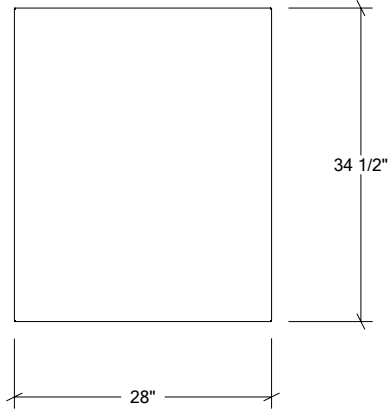
The set excludes the following items: BBQ, faucet, appliances, counter, accessories and cabinet options. For adding cabinet options, contact our customer service or your nearest dealer.

Refer to the following pages for module details

OUTDOOR KITCHEN CABINETS IN STAINLESS STEEL

## HROK-EFLR-800043

1" End Filler pannel  
left



### Specifications

Width:	1"
Depth:	28"
Material:	Stainless Steel 304
Thickness:	18 ga
Finish:	Brushed
Nbr doors / drawers	n/a
Hinges Position:	n/a
Handle:	n/a
Installation:	End
Packing dimensions:	28" x 35" x 2 1/4"

### Features

- Characterized by a uniform and refined look that blends with all collections
- Easily installed at the ends of a configuration when they are exposed
- Elegant brushed finish
- Superior corrosion resistance: Grade 304 stainless steel (18/10) (option: grade 316 (recommended for salt environment))
- Simplified clip system for easy assembly
- Made by hand in Canada

### Warranty

Home Refinements offers a LIMITED LIFETIME WARRANTY on the fixed components of its stainless steel cabinets as well as a 2-YEARS LIMITED WARRANTY for all mobile parts and hardware (Hinges, slides, locks) against defects of material and workmanship all of which is applied following the purchase date. This warranty is limited to defects or damages resulting from a normal residential use. For further details on our product warranty, please refer to our catalog or Web site.

### Available options

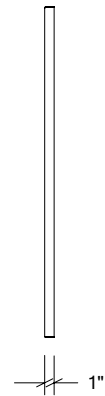
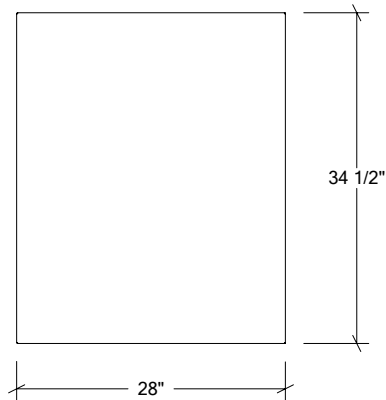


316

OUTDOOR KITCHEN CABINETS IN STAINLESS STEEL

## HROK-EFLR-800044

1" End Filler pannel  
right



### Specifications

Width:	1"
Depth:	28"
Material:	Stainless Steel 304
Thickness:	18 ga
Finish:	Brushed
Nbr doors / drawers	n/a
Hinges Position:	n/a
Handle:	n/a
Installation:	End
Packing dimensions:	28" x 35" x 2 1/4"

### Features

- Characterized by a uniform and refined look that blends with all collections
- Easily installed at the ends of a configuration when they are exposed
- Elegant brushed finish
- Superior corrosion resistance: Grade 304 stainless steel (18/10) (option: grade 316 (recommended for salt environment))
- Simplified clip system for easy assembly
- Made by hand in Canada

### Warranty

Home Refinements offers a LIMITED LIFETIME WARRANTY on the fixed components of its stainless steel cabinets as well as a 2-YEARS LIMITED WARRANTY for all mobile parts and hardware (Hinges, slides, locks) against defects of material and workmanship all of wich is applied following the purchase date. This warranty is limited to defects or damages resulting from a normal residential use. For further details on our product warranty, please refer to our catalog or Web site.

### Available options

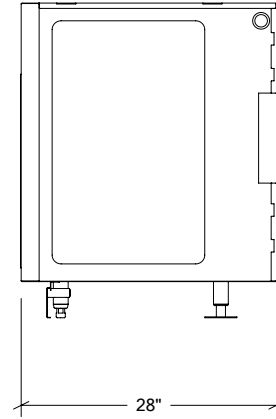
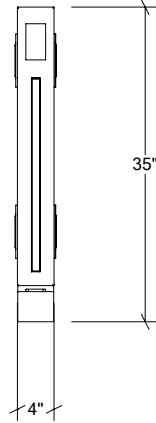


316

OUTDOOR KITCHEN CABINETS IN STAINLESS STEEL

## HROK-LEDL-800037

4" Linear LED Lighting module for electrical box



### Specifications

Width:	4"
Depth:	28"
Material:	Stainless Steel 304
Thickness:	18 ga
Finish:	Brushed
Nbr doors / drawers	n/a
Hinges Position:	n/a
Handle:	n/a
Installation:	Between Cabinets
Packing dimensions:	31 1/8" x 36 1/8" x 8 1/8"

### Features

- Module characterized by a uniform and refined look that blends with all collections
- Lighting module with vertical lighting insert
- Aluminum extrusion with integrated diffuser encapsulates lighting strips
- LED warm lighting
- Serial connection of several lighting components to the same transformer
- Opening allowing installation of an electrical outlet (electrical box not included)
- Self-standing cabinets that can be installed in island (option: closed back), backed to a wall or recessed
- Elegant brushed finish
- Modular system gives the flexibility to create the ideal outdoor kitchen
- Simplified clip system for cabinet assembly
- Ambient lighting integrated at toe-kick optional
- Easy installation of your choice of countertop thanks to the solid top of the cabinets (work surface not included)
- Superior corrosion resistance: Grade 304 stainless steel (18/10) (option: grade 316 (recommended for salt environment))
- Adjustable stainless steel feet, 1 of which allow anchoring on the ground
- Delivered fully assembled
- Made by hand in Canada
- Voltage 12 volts
- Power: 7 watts / meter
- Input class 2 transformers 110/220
- Frequency: 50/60 hertz
- UL & UL Canada Certification
- Included:
  - Control of intensity with a dimmer
  - 12V transformer with standard plug (1 per installation)
  - Needed wires to connect to adjacent cabinets
  - Additional 4-ft extension
  - Clip-on toe-kick

### Warranty

Home Refinements offers a LIMITED LIFETIME WARRANTY on the fixed components of its stainless steel cabinets as well as a 2-YEARS LIMITED WARRANTY for all mobile parts and hardware (Hinges, slides, locks) against defects of material and workmanship all of which is applied following the purchase date. This warranty is limited to defects or damages resulting from a normal residential use. For further details on our product warranty, please refer to our catalog or Web site.

### Available options



316



Back

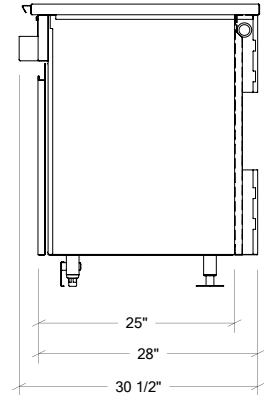
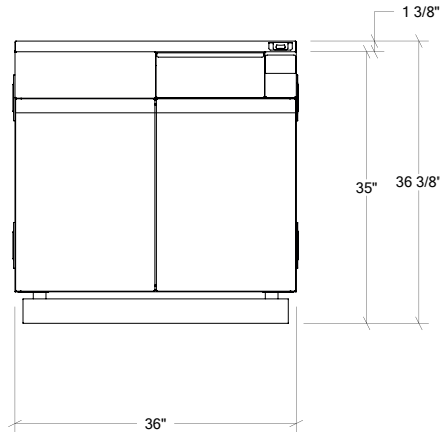


Ext

OUTDOOR KITCHEN CABINETS IN STAINLESS STEEL

## HROK-SSJ7-800207 | LINE

36" Bar station 2 doors



### Specifications

Collection:	LINE
Width:	36"
Depth:	28"
Material:	Stainless Steel 304
Thickness:	18 ga
Finish:	Brushed
Nbr doors / drawers	2
Hinges Position:	n/a
Handle:	Standard
Installation:	Between cabinets
Packing dimensions:	32 1/4" x 40 1/4" x 39 7/8"

### Recommended accessories

Bottle Holder	HROK-ACC-805006
Boards/tray Holder	HROK-ACC-805007

### Warranty

Home Refinements offers a LIMITED LIFETIME WARRANTY on the fixed components of its stainless steel cabinets as well as a 2-YEARS LIMITED WARRANTY for all mobile parts and hardware (Hinges, slides, locks) against defects of material and workmanship all of which is applied following the purchase date. This warranty is limited to defects or damages resulting from a normal residential use. For further details on our product warranty, please refer to our catalog or Web site.

### Features

- Cabinet from the LINE collection showcasing an integrated handle design that accentuates the surfaces and volumes elegance
- Bar station combining storage, preparation and service
- Insulated sink allowing to use as ice bucket for chilling drinks
- Ideal work surface for condiments preparation
- Slim multi-purpose drainboard for drying glasses, arranging bottles and condiment containers
- Drawer under the work surface turns into a bottle holder to house 3 to 4 bottles
- Bottle opener with removable receptacle completes the station
- Included with sink: stainless steel condiments containers (2), sink cover
- Sink cover prevents debris from building up when kitchen is not in use
- Self-standing cabinets that can be installed in island (option: closed back), backed to a wall or recessed
- Modular system gives the flexibility to create the ideal outdoor kitchen
- Simplified clip system for cabinet assembly
- Weather resistant cabinet due to efficient rubber gasket system on doors
- Soft-close hardware for soft and quiet closing of cabinets
- Lock available as an option to secure the contents of cabinets and ensure a foolproof closure
- Ambient lighting integrated at toe-kick optional
- Distinct cabinets functional space and services space (plumbing, electricity, gas, ...) thanks to the double-back construction
- Elegant brushed finish
- Included with cabinet: clip-on toe-kick, freestanding storage shelf
- Easy maintenance thanks to sanitary standards inspired design without hard to reach corners
- Superior corrosion resistance: Grade 304 stainless steel (18/10) (option: grade 316 (recommended for salt environment))
- Soundproofing / insulation of front doors and panels reducing sound at closing
- Thin side structure results in optimized clear opening width
- Adjustable stainless steel feet, 2 of which allow anchoring on the ground
- Easy access provided for installation of the plumbing structure
- Delivered fully assembled
- Made by hand in Canada

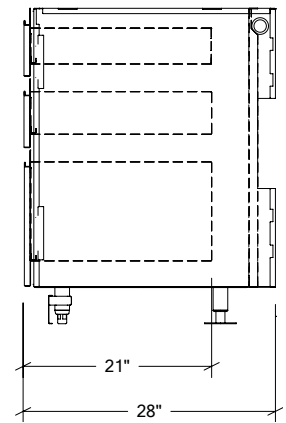
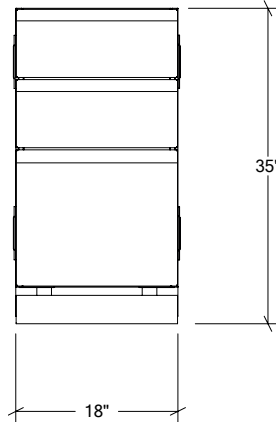
### Available options



OUTDOOR KITCHEN CABINETS IN STAINLESS STEEL

## HROK-ST3D-800220 | LINE

18" Storage Cabinet 3 drawers



### Specifications

Collection:	LINE
Width:	18"
Depth:	28"
Material:	Stainless Steel 304
Thickness:	18 ga
Finish:	Brushed
Nbr doors / drawers	3
Hinges Position:	n/a
Handle:	Standard
Installation:	Between Cabinets
Packing dimensions:	22 1/4" x 32 1/4" x 37 3/8"

### Recommended accessories

Table Knife block	HROK-ACC-805000
Chef Knife block	HROK-ACC-805001
3" Multifunction tray long	HROK-ACC-805002
7" Multifunction tray long	HROK-ACC-805003
3" Multifunction tray short	HROK-ACC-805004
Wrapping Paper Dispenser	HROK-ACC-805005
Bottle Holder	HROK-ACC-805006
Leather Drawer mat	HROK-ACC-805008

### Warranty

Home Refinements offers a LIMITED LIFETIME WARRANTY on the fixed components of its stainless steel cabinets as well as a 2-YEARS LIMITED WARRANTY for all mobile parts and hardware (Hinges, slides, locks) against defects of material and workmanship all of which is applied following the purchase date. This warranty is limited to defects or damages resulting from a normal residential use. For further details on our product warranty, please refer to our catalog or Web site.

### Features

- Cabinet from the LINE collection showcasing an integrated handle design that accentuates the surfaces and volumes elegance
- Cabinet 3 drawers in 1/4, 1/4, 1/2 configuration
- Elegant and refined drawers with invisible concealed slides
- Quiet closing thanks to full-extension soft-close slides
- Self-standing cabinets that can be installed in island (option: closed back), backed to a wall or recessed
- Modular system gives the flexibility to create the ideal outdoor kitchen
- Simplified clip system for cabinet assembly
- Weather resistant cabinet due to efficient rubber gasket system on drawers
- Lock available as an option to secure the contents of cabinets and ensure a foolproof closure
- Ambient lighting integrated at toe-kick optional
- Distinct cabinets functional space and services space (plumbing, electricity, gas, ...) thanks to the double-back construction
- Easy installation of your choice of countertop thanks to the solid top of the cabinets (work surface not included)
- Elegant brushed finish
- Included with cabinet: clip-on toe-kick
- Easy maintenance thanks to sanitary standards inspired design without hard to reach corners
- Superior corrosion resistance: Grade 304 stainless steel (18/10) (option: grade 316 (recommended for salt environment))
- Soundproofing / insulation of front doors and panels reducing sound at closing
- Thin side structure results in optimized clear opening width
- Adjustable stainless steel feet, 2 of which allow anchoring on the ground
- Delivered fully assembled
- Made by hand in Canada

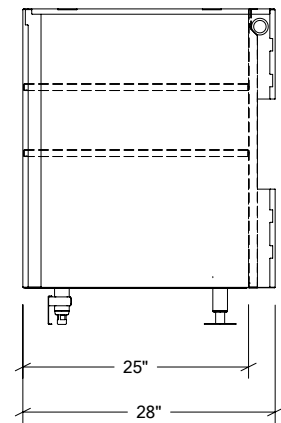
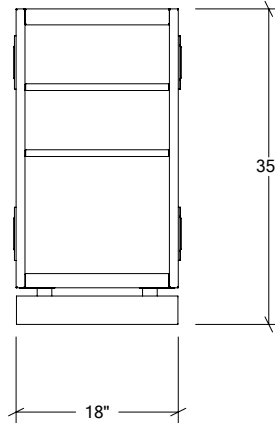
### Available options



OUTDOOR KITCHEN CABINETS IN STAINLESS STEEL

# HROK-STOM-800021

18" Open Shelves Cabinet  
open facade



## Specifications

Width:	18"
Depth:	28"
Material:	Stainless Steel 304
Thickness:	18 ga
Finish:	Brushed
Nbr doors / drawers	n/a
Hinges Position:	n/a
Handle:	n/a
Installation:	Between cabinets
Packing dimensions:	22 1/4" x 32 1/4" x 37 3/8"

3" Multifunction tray long	HROK-ACC-805002
7" Multifunction tray long	HROK-ACC-805003
3" Multifunction tray short	HROK-ACC-805004
Bottle Holder	HROK-ACC-805006

## Features

- Cabinet characterized by a uniform and refined look that blends with all collections
- Open cabinet with 3 fixed shelves
- Open front with closed sides for side-to-side installation
- Self-standing cabinets that can be installed in island (option: closed back), backed to a wall or recessed
- Modular system gives the flexibility to create the ideal outdoor kitchen
- Simplified clip system for cabinet assembly
- Ambient lighting integrated at toe-kick optional
- Distinct cabinets functional space and services space (plumbing, electricity, gas, ...) thanks to the double-back construction
- Easy installation of your choice of countertop thanks to the solid top of the cabinets (work surface not included)
- Elegant brushed finish
- Included with cabinet: clip-on toe-kick
- Easy maintenance thanks to sanitary standards inspired design without hard to reach corners
- Superior corrosion resistance: Grade 304 stainless steel (18/10) (option: grade 316 (recommended for salt environment))
- Thin side structure results in optimized clear opening width
- Adjustable stainless steel feet, 2 of which allow anchoring to the ground
- Delivered fully assembled
- Made by hand in Canada

## Warranty

Home Refinements offers a LIMITED LIFETIME WARRANTY on the fixed components of its stainless steel cabinets as well as a 2-YEARS LIMITED WARRANTY for all mobile parts and hardware (Hinges, slides, locks) against defects of material and workmanship all of which is applied following the purchase date. This warranty is limited to defects or damages resulting from a normal residential use. For further details on our product warranty, please refer to our catalog or Web site.

## Available options



316



Back



Ext