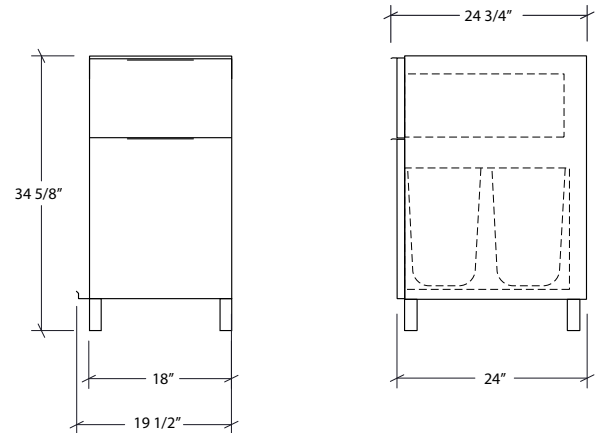


STAINLESS STEEL CABINETS

HR-ESSTTR18-NX | ESSENCE

RECYCLING PULL-OUT DRAWER CABINET



Specifications

Front panel style	Nature
Width	18"
Depth	24"
Material	Stainless Steel
Thickness	18 ga
Finish	ONYX
Nbr doors / drawers	2
Installation	Self-Standing
Packaging dimension	22 x 36 x 27"
Packaging Weight	85 lb

Features

- Recycling pull-out drawer cabinet with two (2) plastic bins for recycling and household garbage. Integrated drawer perfect to store garbage bags and other accessories.
- Modular system to optimize space and create a personalized outdoor kitchen area.
- Self-standing cabinet finished on all 4 sides providing flexible placement in island kitchen style or simply leaned against a wall.
- ESSENCE collection cabinets for a refined and unified look.
- Soft-close hardware for soft and quiet closing of drawers.
- Resistant commercial grade 18 gauge stainless steel construction with high-grade powder coated finish to withstand harsh environmental elements.
- Excellent resistance to humidity and UV.
- Environmentally friendly product made with 100% recyclable stainless steel.
- Modules are delivered fully assembled.
- Proudly designed and made by hand in Canada.

Warranty

Outdoor Refinements offers a LIMITED LIFETIME WARRANTY against defects of material and workmanship on the fixed components of its stainless steel cabinets, a PRORATED 10-YEAR LIMITED WARRANTY on painted finishes and a 2-YEARS LIMITED WARRANTY on all mobile parts and hardware (Hinges, slides, locks) all of which are applied following the purchase date. This warranty is limited to defects or damages resulting from a normal residential use. For further details on our product warranty, please refer to our catalog or Web site.