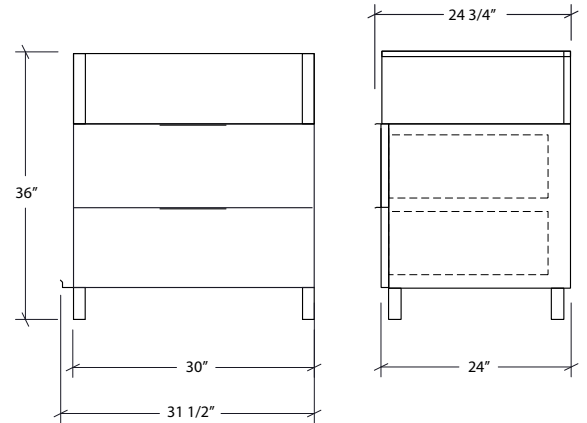


STAINLESS STEEL CABINETS

## HR-ESKGRC30A-NX | ESSENCE

CHARCOAL GRILL BASE CABINET 2 DRAWERS WITH STAND



### Specifications

Front panel style	Nature
Width	30"
Depth	24"
Material	Stainless Steel
Thickness	18 ga
Finish	ONYX
Nbr doors / drawers	2
Installation	Self-Standing
Packaging dimension	34 x 37 x 27"
Packaging Weight	105 lb

### Features

- Charcoal grill cabinet set including base and stand.
- Two (2) drawers perfect to store cooking tools, grill equipment and a charcoal bag.
- Modular system to optimize space and create a personalized outdoor kitchen area.
- Self-standing cabinet finished on all 4 sides providing flexible placement in island kitchen style or simply leaned against a wall.
- ESSENCE collection cabinets for a refined and unified look.
- Elegant brushed finish that matches grills and appliances.
- Optimal air circulation from back, bottom and sides of the cabinet.
- Soft-close hardware for soft and quiet closing of cabinets.
- Resistant commercial grade 18 gauge stainless steel powder coated finish to withstand the harshet of elements.
- Excellent resistance to humidity and UV.
- Environmentally friendly product made with 100% recyclable stainless steel.
- Modules are delivered fully assembled.
- Proudly designed and made by hand in Canada.
- **WARNING:** Refer to the manufacturer's documentation to confirm the recommended clearance for installing the grill in a covered environment or near surfaces.

### Warranty

Outdoor Refinements offers a LIMITED LIFETIME WARRANTY against defects of material and workmanship on the fixed components of its stainless steel cabinets, a PRORATED 10-YEAR LIMITED WARRANTY on painted finishes and a 2-YEARS LIMITED WARRANTY on all mobile parts and hardware (Hinges, slides, locks) all of which are applied following the purchase date. This warranty is limited to defects or damages resulting from a normal residential use. For further details on our product warranty, please refer to our catalog or Web site.