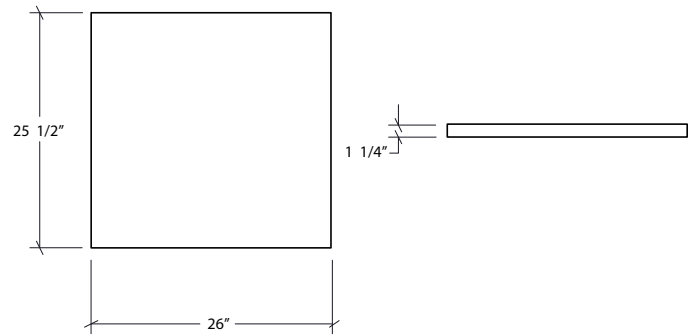
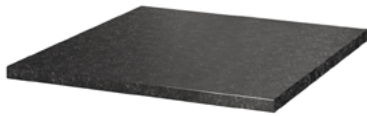


STAINLESS STEEL CABINETS

HR-ESCTGL26 | ESSENCE

BLACK GRANIT COUNTERTOP



Specifications

Width	26"
Depth	25 1/2"
Thickness	1 1/4"
Material	Cambrian Black Granit
Finish	Antique
Installation	Assembly to Base
Packaging dimension	36 x 36 x 48"
Packaging Weight	115 lb

Features

- Convenient granit countertop perfect for outdoor area.
- Modular system to be installed with ESSENCE cabinet.
- Long-lasting and easy maintenance.
- Proudly designed and made in Canada.

Warranty

Outdoor Refinements offers a LIMITED LIFETIME WARRANTY against defects of material and workmanship on the fixed components of its stainless steel cabinets, a PRORATED 10-YEAR LIMITED WARRANTY on painted finishes and a 2-YEARS LIMITED WARRANTY on all mobile parts and hardware (Hinges, slides, locks) all of which are applied following the purchase date. This warranty is limited to defects or damages resulting from a normal residential use. For further details on our product warranty, please refer to our catalog or Web site.