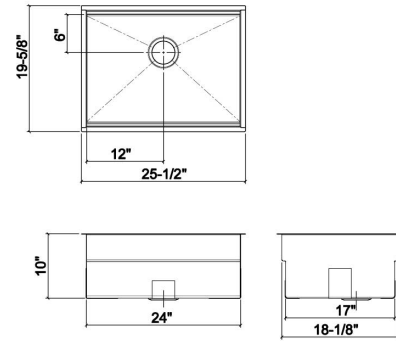


005458 | SMARTSTATION

UNDERMOUNT STAINLESS STEEL KITCHEN SINK



Specifications

Model	005458
Collection	SmartStation
Bowl dimensions	24" × 18 1/8" × 10"
Overall dimensions	25 1/2" × 19 5/8" × 10"
Recommended cabinet	27"

Recommended accessories

Drain	100082
Grid (included)	
Colander	205218
Tray	205221
Tray	205222
Colander (included)	205225
Cutting board (included)	210067
Drying Rack (included)	215207

Warranty

Home Refinements offers a LIMITED LIFETIME WARRANTY on the fixed components of its stainless steel sinks against defects of material and workmanship as well as a 1-YEAR LIMITED WARRANTY following the purchase date for all accessories against defects of material and workmanship. This warranty is limited to defects or damages resulting from a normal residential use. For further details on our product warranty, please refer to our catalog or Web site.

Features

- Handcrafted in Canada
- Commercial quality stainless steel - 16 ga thickness
- Corrosion resistant material - 304 series (18/10)
- Unique design allowing the Home Refinements standard accessories to slide one over the other on two levels
- Accessory ledge on front and back of the bowl to accommodate any standard 17" Home Refinements accessory
- Standard 18" Home Refinements accessories to be used directly on the countertop (undermount with overhang countertop installation necessary)
- Three (3) accessories included, with a choice of maple or walnut handles: 17" drying rack to be used on accessory ledge and 18" colander and cutting board to be used on countertop
- Bottom grid included to protect the surface of the sink
- Attractive combination of UrbanEdge® and J7® collections : vertical square corners [0°] and slightly rounded corners [7mm] for bottom front and back folds
- Environmentally friendly product, 100% recyclable
- Elegant no. 4 brushed finish that matches the appliances
- Highly efficient sound deadening pads
- Practical flat sink bottom and straight bowl sides that maximize available space in the bowl
- Stylish and functional bowl bottom grooves that facilitate water drainage
- Rear or side 3-1/2" drain placement
- Mounting hardware included
- Certifications: ASME A112.19.3, CSA B45.0, CSA B45.4