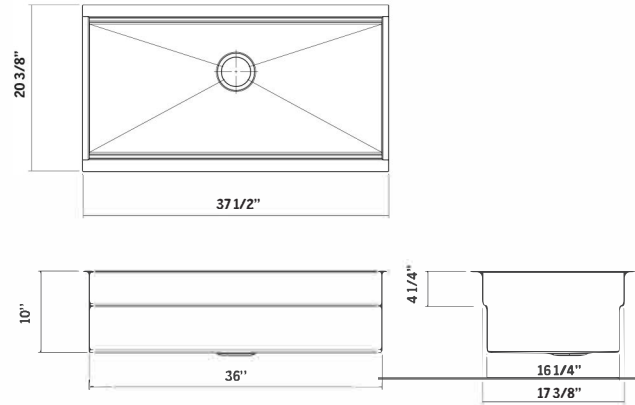


# 005418-REV | SMARTSTATION® SET

## UNDERMOUNT REVEAL STAINLESS STEEL KITCHEN SINK AND ACCESSORIES



### Specifications

<b>Model</b>	<b>005418-REV</b>
<b>Collection</b>	SmartStation®
<b>Bowl dimensions</b>	36" x 17 3/8" x 10"
<b>Overall dimensions</b>	37 1/2" x 20 3/8" x 10"
<b>Recommended cabinet</b>	42"
<b>Accessories handle material</b>	Maple

### Included accessories

<b>Grid</b>	200932
<b>Cutting board</b>	210068
<b>Serving bin with bowls (4)</b>	225315
<b>Serving board with bowl and colander</b>	225308
<b>Drying rack</b>	215307

### Recommended accessories

<b>Drain</b>	100082
<b>Colander</b>	205325
<b>Service bowls</b>	225303
And many more	

### Warranty

Home Refinements offers a LIMITED LIFETIME WARRANTY on the fixed components of its stainless steel sinks against defects of material and workmanship as well as a 1-YEAR LIMITED WARRANTY following the purchase date for all accessories against defects of material and workmanship. This warranty is limited to defects or damages resulting from a normal residential use. For further details on our product warranty, please refer to our catalog or Web site.

### Features

- Handcrafted in Canada
- Commercial quality stainless steel 16 ga thickness
- Corrosion resistant material 304 series (18/10)
- Unique design allowing the Home Refinements standard accessories to slide one over the other on two levels
- 1/2" accessory ledge on front and back of the bowl to accommodate any standard 16" Home Refinements accessory
- Standard 17" Home Refinements accessories to be used directly on the top edge (undermount with reveal countertop installation necessary)
- Many accessories included to be used on accessory ledge or on the top edge (two (2) wood essences available: maple and american walnut)
- Bottom grid included to protect the surface of the sink
- Attractive combination of UrbanEdge® and J7® collections : vertical square corners [0mm] and slightly rounded corners [7mm] for bottom front and back folds
- Environmentally friendly product, 100% recyclable
- Elegant no. 4 brushed finish that matches the appliances
- Highly efficient sound deadening pads
- Practical flat sink bottom and straight bowl sides that maximize available space in the bowl
- Stylish and functional bowl bottom grooves that facilitate water drainage
- Rear or side 3-1/2" drain placement
- Mounting hardware included
- Certifications: ASME A112.19.3, CSA B45.0, CSA B45.4