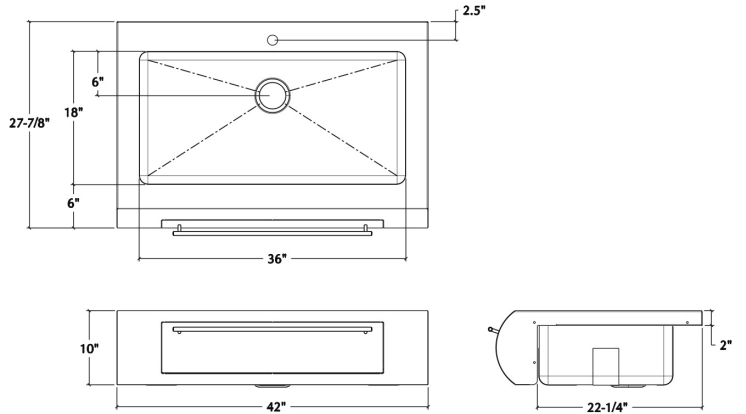


## 000221 | CLASSIC+

FARMHOUSE STAINLESS STEEL KITCHEN SINK



### Specifications

Model	000221
Collection	Classic+
Bowl dimensions	36" × 18" × 10"
Overall dimensions	42" × 27 7/8" × 10"
Recommended cabinet	42"

### Recommended accessories

Drain	100082
Grid (coming soon)	200923
Colander	205225
Bin	205228
Tray	205234
Cutting board	210067
Drying Rack	215208

### Warranty

Home Refinements offers a LIMITED LIFETIME WARRANTY on the fixed components of its stainless steel sinks against defects of material and workmanship. For further details on our product warranty, please refer to our catalog or Web site.

### Features

- Handcrafted in Canada
- Commercial quality stainless steel - 16 ga thickness
- Corrosion resistant material - 304 series (18/10)
- Environmentally friendly product, 100% recyclable
- Elegant no. 4 brushed finish that matches the appliances
- Highly efficient sound deadening pads
- Practical flat sink bottom and straight bowl sides that maximize available space in the bowl
- Stylish and functional bowl bottom grooves that facilitate water drainage
- Functional tilt-out drawer
- Integrated 1-3/8" faucet hole
- Rear 3-1/2" drain placement
- Mounting hardware included
- Certifications: ASME A112.19.3, CSA B45.0, CSA B45.4