

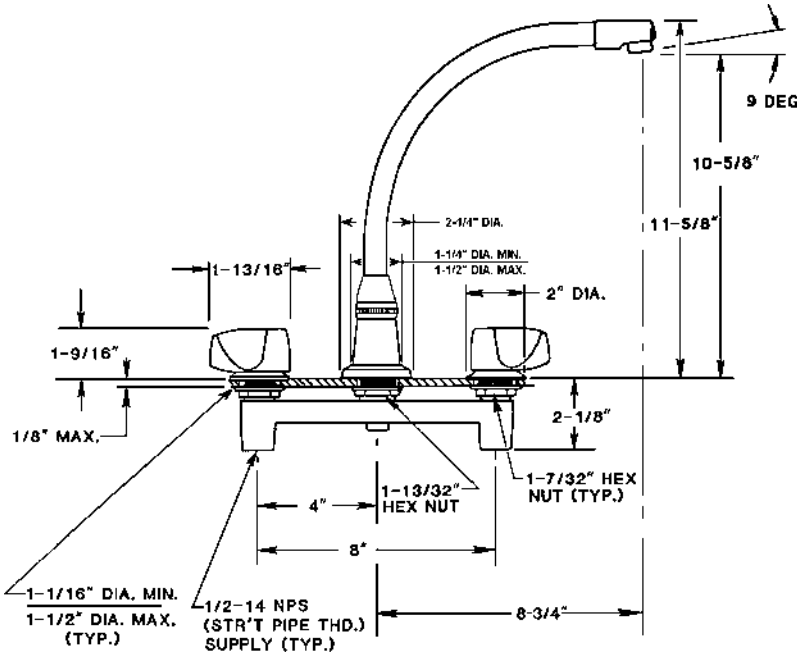


JWF-200-R70°-VR

FAUCET GROUP

CONCEALED LEDGEMOUNT

SUBMITTAL DATA



TECHNICAL DATA

CONSTRUCTION:

- Concealed ledgemount on 8 inch centers
- Cast brass body
- High rise spout with 10-5/8" clearance
- 70 degree restricted swing spout
- Replaceable seats
- Brass quarter turn stem units
- Vandal resistant, chrome plated die cast teardrop handles
- Equipped with vandal resistant water saving aerator
- Certified by IAPMO R&T to:
 - * NSF/ANSI 61- 2010a
 - * UPC
 - * NSF/ANSI 372
 - * IPC
 - * Low Lead
 - * ADA Compliant
 - * ANSI A112.18.1 / CSA B125.1



FINISH

Polished chrome plate

FLOW RATE

1.5 GPM Flow restricting aerator

A.D.A. COMPLIANCE

Yes

VARIANTS

- JWF-200 - Unrestricted swing high rise spout
- JWF-201 = JWF-200 w/ hose & spray
- JWF-200-R70° - Restricted swing high rise spout - not vandal resistant

JUST MFG. COMPANY CONTINUES TO MAKE QUALITY AND FUNCTIONALITY A MARK OF THE JUST PRODUCT LINE. WE RESERVE THE RIGHT TO CHANGE PRODUCT INFORMATION WITHOUT NOTICE. DIMENSIONS MAY CHANGE AND MAY BE SUBJECT TO CHANGE WITHOUT NOTICE. NO RESPONSIBILITY IS ASSUMED FOR USE OF SUPERCEDED OR VOIDED DATA. JUST MFG. CO. SINKS ARE MADE IN THE U.S.A. WHEN COMPARING OTHER BRAND PRODUCTS, BE SURE TO COMPARE USA QUALITY ALONG WITH FEATURES AND DIMENSIONS.

OPTIONS	
AERATORS / FLOW CONTROL	
0.5 GPM	2.2 GPM
1.0 GPM	
HANDLES	
W4 - 4" Wrist Blades	
W6 - 6" Wrist Blades	

APPROVED FOR MANUFACTURING

MODEL NO.: **JWF-200-R70-VR** QTY: _____

JOB NAME: _____

TAG/ITEM: _____

CUSTOMER: _____

SIGNATURE: _____

JUST MANUFACTURING COMPANY

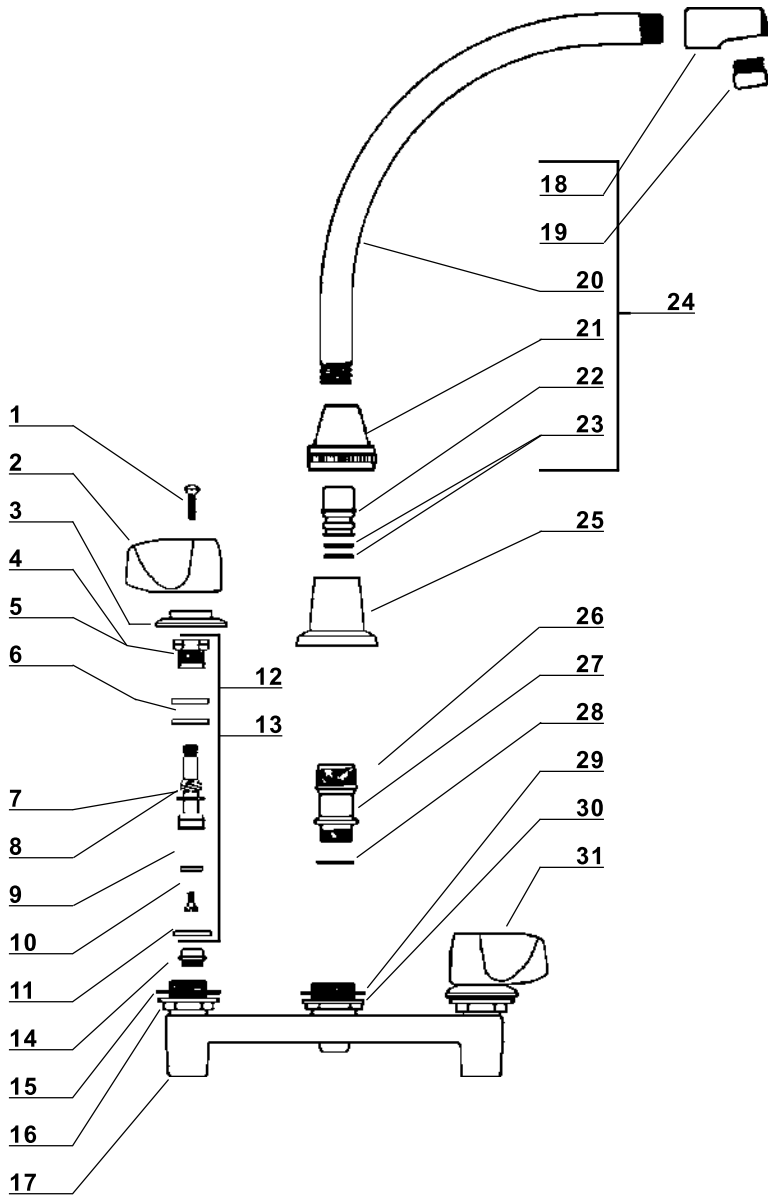
9233 KING STREET FRANKLIN PARK ILLINOIS 60131-2111

PH: 847-678-5150 . FAX: 847-678-6817 . E-MAIL: custserv@justmfg.com . www.justmfg.com



FAUCET GROUP

CONCEALED LEDGEMOUNT



Item No.	Part No.	Description
1	107-H	Vandal resistant screw
2	519-L	Teardrop Handle
3	PF-524-J	Escutcheon
4	454-EWC	Bonnet (Cold Side)
5	454-EWH	Bonnet (Hot Side)
6	1038-453	O-Ring
7	454-FL	Stem (Left Side)
8	454-FR	Stem (Right Side)
9	901-WN	Seat Washer
10	104	Seat Washer Screw
11	1028-Y	Gasket
12	SU-454-EL	Stem & Bonnet Assembly (Left)
13	SU-454-ER	Stem & Bonnet Assembly (Right)
14	263-C	Replaceable Seat
15	491-U	Corner Gasket
16	53-AS	Locknut
17	1959-J	Body
18	PF-1550-J	Adapter
19	VRA	Vandal Resistant Aerator
20	PF-357-JHR	Waterfall Spout
21	PF-782-JES	Spout Nut
22	PF-741-DO	Adaptor
23	1038-K	"O" Rings
24	SU-357-WSA-70	Waterfall Spout Assembly
25	1012N	Escutcheon
26	113K	Set Screw
27	2985-J-70°	Centerpiece
28	402-J	Washer
29	491-S	Gasket
30	53-BS	Locknut
31	519-R	Teardrop Handle

FUNCTIONAL DESIGN, QUALITY, AND SPECIFICATIONS LISTED DESCRIBE THE JUST STANDARD OF QUALITY. WHEN MAKING COMPARISONS WITH OTHER OFFERINGS, INSIST ON THE JUST QUALITY OF CONSTRUCTION. FOR ADDITIONAL INFORMATION REGARDING THE COMPLETE LINE OF JUST SINKS, FAUCETS AND DRAINS, VISIT OUR WEB SITE AT www.justmfg.com

JUST MANUFACTURING COMPANY
 9233 KING STREET . FRANKLIN PARK . ILLINOIS . 60131-2111
 PH: 847-678-5150 . FAX: 847-678-6817
 E-MAIL: custserv@justmfg.com . www.justmfg.com