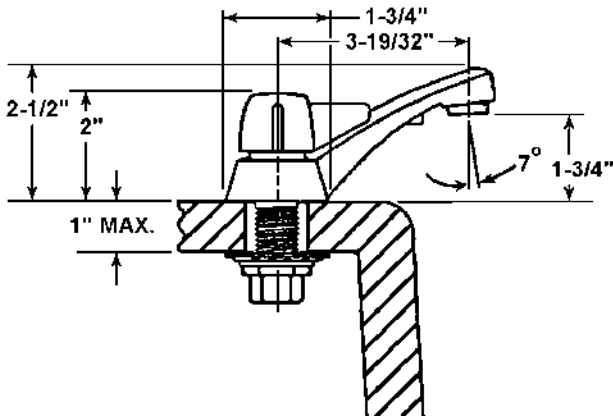
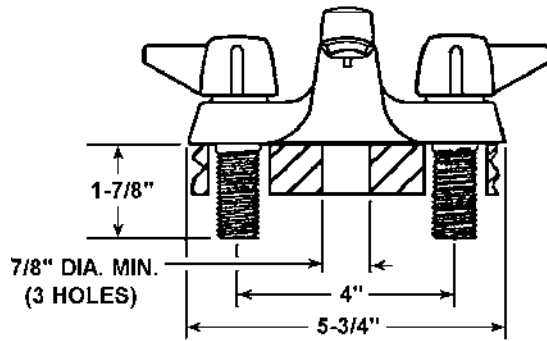




JV-1139-A
FAUCET GROUP
CENTERSET LAVATORY FAUCET

SUBMITTAL DATA



TECHNICAL DATA
CONSTRUCTION:

- Deck mounted centerset on 4 inch centers
- Chrome plated, solid cast brass body
- Chrome plated die cast handles
- Brass replaceable stem and seat units
- Buna N seat washers
- Packings of nitrile reinforced rubber
- Equipped with water saving aerator

Certified by IAPMO R&T to:

- * NSF/ANSI 61- 2010a
- * NSF/ANSI 372
- * Low Lead
- * ANSI A112.18.1 / CSA B125.1
- * UPC
- * IPC
- * ADA Compliant



OPTIONS	
AERATORS / FLOW CONTROL	
0.5 GPM	2.2 GPM
1.0 GPM	
HANDLES	
W4 - 4" Wrist Blades	
VANDAL RESISTANT	
Handles - VR-H	
Aerator - VR-A	

FINISH
 Polished chrome

FLOW RATE
 1.5 GPM at 80 PSI

A.D.A. COMPLIANT
 Yes

VARIANTS
 JV-1137-DA = JV-1139-A w/ Pop-up drain

APPROVED FOR MANUFACTURING

MODEL NO.: **JV-1139-A** QTY: _____

JOB NAME: _____

TAG/ITEM: _____

CUSTOMER: _____

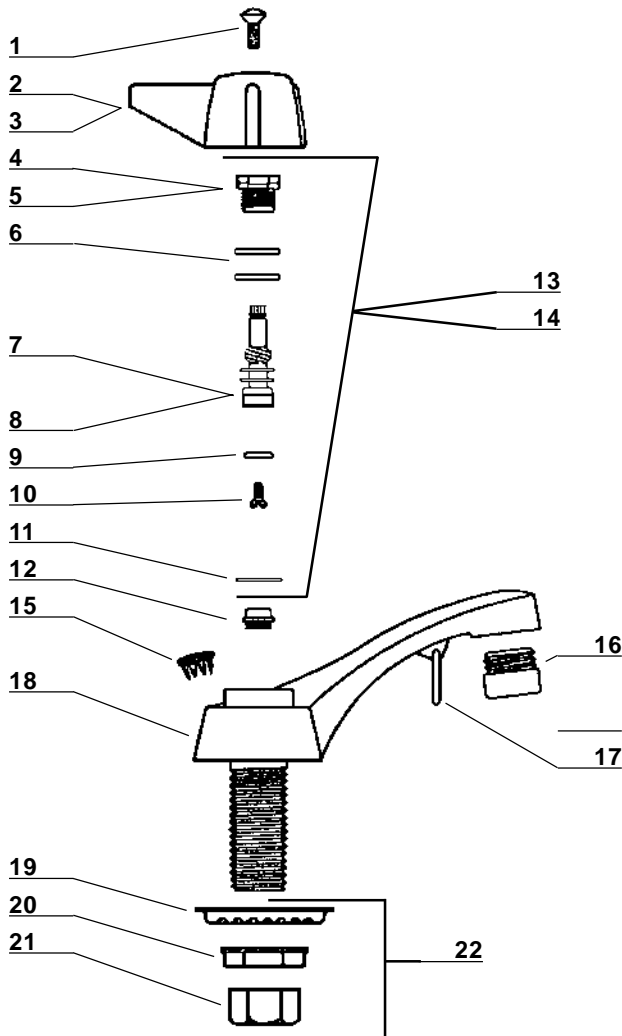
SIGNATURE: _____

JUST MFG. COMPANY CONTINUES TO MAKE QUALITY AND FUNCTIONALITY A MARK OF THE JUST PRODUCT LINE. WE RESERVE THE RIGHT TO CHANGE PRODUCT INFORMATION WITHOUT NOTICE. DIMENSIONS MAY CHANGE AND MAY BE SUBJECT TO CHANGE WITHOUT NOTICE. NO RESPONSIBILITY IS ASSUMED FOR USE OF SUPERCEDED OR VOIDED DATA. JUST MFG. CO. SINKS ARE MADE IN THE U.S.A. WHEN COMPARING OTHER BRAND PRODUCTS, BE SURE TO COMPARE USA QUALITY ALONG WITH FEATURES AND DIMENSIONS.



FAUCET GROUP

CENTERSET LAVATORY FAUCET



Item No.	Part No.	Description
1	107-F	Handle Screw
2	523-C	Handle (Cold)
3	523-H	Handle (Hot)
4	454-EWC	Bonnet (Cold Side)
5	454-EWH	Bonnet (Hot Side)
6	1038-453	O-Ring
7	454-FL	Stem (Left Side)
8	454-FR	Stem (Right Side)
9	901-WN	Seat Washer
10	104	Seat Washer Screw
11	1028-Y	Gasket
12	263-BC	Replaceable Seat
13	SU-454-EL	Stem & Bonnet Assembly (Left)
14	SU-454-ER	Stem & Bonnet Assembly (Right)
15	70-WA	Lift rod hole button cover
16	30-L.1.5	Aerator
17	220-B	Ring
18	2143-1137	Body - Not Available
19	54	Washer
20	7133-AL	Locknut
21	4015-BAR	Coupling Nut
22	G-913-A	Mounting Hardware Kit (2 ea)

JUST MFG. COMPANY CONTINUES TO MAKE QUALITY AND FUNCTIONALITY A MARK OF THE JUST PRODUCT LINE. TO DO SO REQUIRES THAT WE RESERVE THE RIGHT TO CHANGE PRODUCT INFORMATION WITHOUT NOTICE. DIMENSIONS MAY VARY AND ARE SUBJECT TO CHANGE WITHOUT NOTICE. NO RESPONSIBILITY IS ASSUMED FOR USE OF SUPERCEDED OR VOIDED DATA. FOR THE MOST CURRENT AND ACCURATE INFORMATION REGARDING THE COMPLETE LINE OF JUST SINKS, FAUCETS AND DRAINS, CLICK ON THE *SPEC LINE DRAWINGS* LINK ON OUR WEB SITE AT www.justmfg.com

JUST MANUFACTURING COMPANY
 9233 KING STREET • FRANKLIN PARK • ILLINOIS • 60131-2111
 PH: 847-678-5150 • FAX: 847-678-6817
 E-MAIL: custserv@justmfg.com • www.justmfg.com