

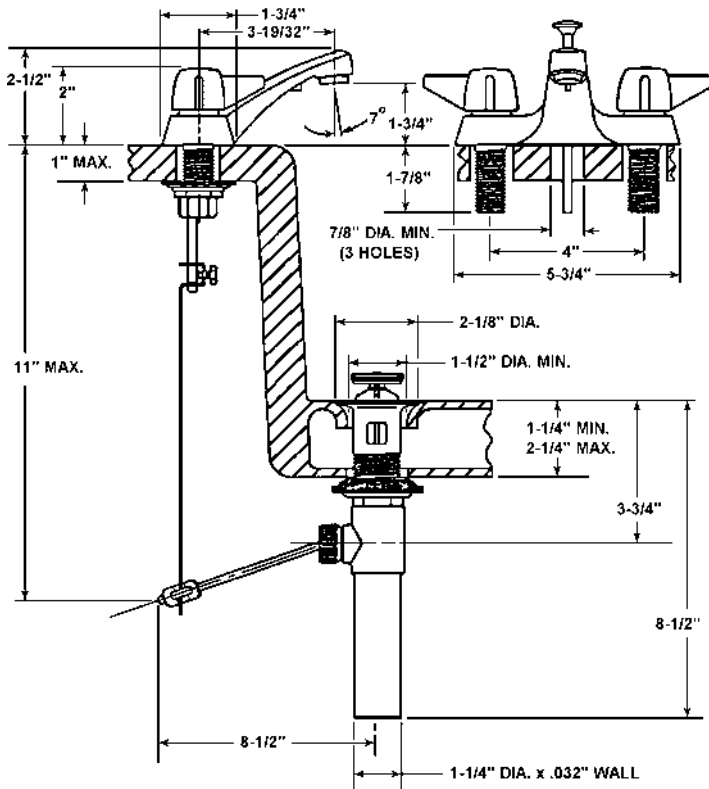


JV-1137-DA

FAUCET GROUP

CENTERSET LAVATORY FAUCET

SUBMITTAL DATA



TECHNICAL DATA

CONSTRUCTION:

- Deck mounted centerset on 4 inch centers
- Pop up drain & tailpiece assembly included
- Chrome plated, solid cast brass body
- Chrome plated die cast handles
- Brass replaceable stem and seat units
- Buna N seat washers
- Packings of nitrile reinforced rubber
- Equipped with water saving aerator

Certified by IAPMO R&T to:

- * NSF/ANSI 61- 2010a
- * NSF/ANSI 372
- * Low Lead
- * ANSI A112.18.1 / CSA B125.1
- * UPC
- * IPC
- * ADA Compliant



FINISH

Polished chrome

FLOW RATE

1.5 GPM at 80 PSI

A.D.A. COMPLIANT

Yes

VARIANTS

JV-1139-A = JV-1137-DA w/o Pop-up drain

OPTIONS	
AERATORS / FLOW CONTROL	
0.5 GPM	2.2 GPM
1.0 GPM	
HANDLES	
W4 - 4" Wrist Blades	
VANDAL RESISTANT	
Handles - VR-H	
Aerator - VR-A	

APPROVED FOR MANUFACTURING	
MODEL NO.:	JV-1137-DA
QTY:	_____
JOB NAME:	_____
TAG/ITEM:	_____
CUSTOMER:	_____
SIGNATURE:	_____

JUST MFG. COMPANY CONTINUES TO MAKE QUALITY AND FUNCTIONALITY A MARK OF THE JUST PRODUCT LINE. WE RESERVE THE RIGHT TO CHANGE PRODUCT INFORMATION WITHOUT NOTICE. DIMENSIONS MAY CHANGE AND MAY BE SUBJECT TO CHANGE WITHOUT NOTICE. NO RESPONSIBILITY IS ASSUMED FOR USE OF SUPERCEDED OR VOIDED DATA. JUST MFG. CO. SINKS ARE MADE IN THE U.S.A. WHEN COMPARING OTHER BRAND PRODUCTS, BE SURE TO COMPARE USA QUALITY ALONG WITH FEATURES AND DIMENSIONS.

JUST MANUFACTURING COMPANY

9233 KING STREET FRANKLIN PARK ILLINOIS 60131-2111

PH: 847-678-5150

FAX: 847-678-6817

E-MAIL: custserv@justmfg.com

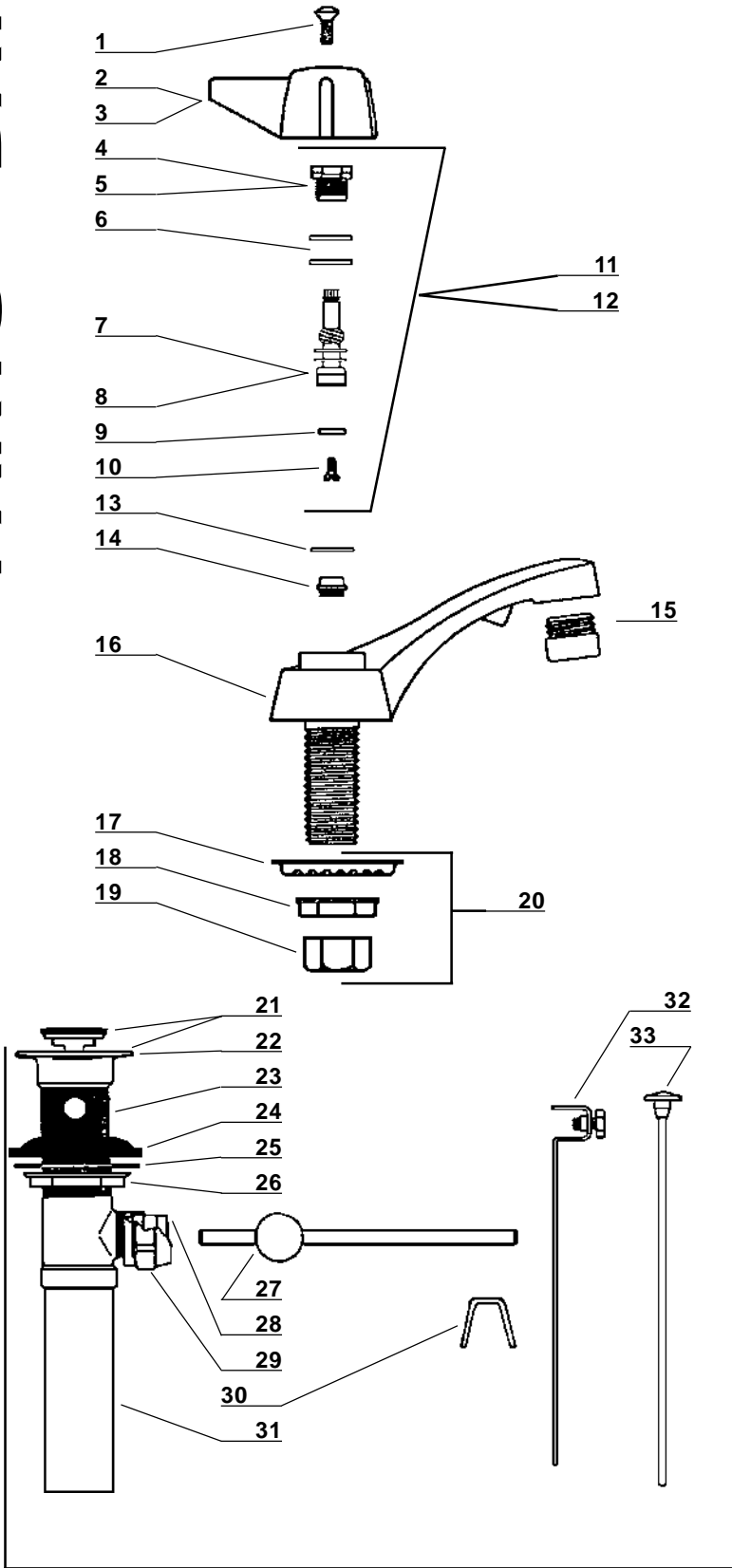
www.justmfg.com

JV-1137-DA



FAUCET GROUP

CENTERSET LAVATORY FAUCET



Item No.	Part No.	Description
1	107-F	Handle Screw
2	523-C	Handle (Cold)
3	523-H	Handle (Hot)
4	454-EWC	Bonnet (Cold Side)
5	454-EWH	Bonnet (Hot Side)
6	1038-453	O-Ring
7	454-FL	Stem (Left Side)
8	454-FR	Stem (Right Side)
9	901-WN	Seat Washer
10	104	Seat Washer Screw
11	SU-454-EL	Stem & Bonnet Assembly (Left)
12	SU-454-ER	Stem & Bonnet Assembly (Right)
13	1028-Y	Gasket
14	263-BC	Replaceable Seat
15	30-L.1.5	Aerator 1.5 GPM
16	2143-1137	Body - Not Available
17	54	Washer
18	7133-AL	Locknut
19	4015-BAR	Coupling Nut
20	G-913-A	Mounting Hardware Kit (2 ea)
21	SU-2113-TT	Stopper & Flange
22	2056-SPT	Flange
23	3148-T	Tee Body
24	996	Rubber Washer
25	51-D	Steel Washer
26	2058-ST	Locknut
27	SU-195-SAT	Lift Rod Assembly
28	409-P	Packings
29	192-NBB	Nut
30	195-CT	Clip
31	707-T	Tailpiece
32	SU-195	Pull Rod Linkage
33	SU-195-BT	Knob & Pull Rod
34	SU-1107	Pop-Up Drain & Lift Rod Assy.

36

JUST MFG. COMPANY CONTINUES TO MAKE QUALITY AND FUNCTIONALITY A MARK OF THE JUST PRODUCT LINE. TO DO SO REQUIRES THAT WE RESERVE THE RIGHT TO CHANGE PRODUCT INFORMATION WITHOUT NOTICE. DIMENSIONS MAY VARY AND ARE SUBJECT TO CHANGE WITHOUT NOTICE. NO RESPONSIBILITY IS ASSUMED FOR USE OF SUPERCEDED OR VOIDED DATA. FOR THE MOST CURRENT AND ACCURATE INFORMATION REGARDING THE COMPLETE LINE OF JUST SINKS, FAUCETS AND DRAINS, CLICK ON THE **SPEC LINE DRAWINGS** LINK ON OUR WEB SITE AT www.justmfg.com

JUST MANUFACTURING COMPANY

9233 KING STREET . FRANKLIN PARK . ILLINOIS . 60131-2111

PH: 847-678-5150 . FAX: 847-678-6817

E-MAIL: custserv@justmfg.com . www.justmfg.com