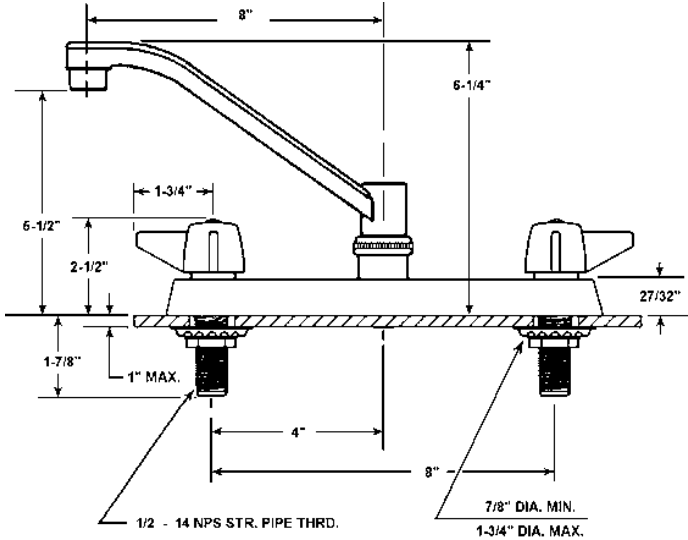




**JV-1122-A**  
**FAUCET GROUP**  
**KITCHEN SINK FAUCET**

**SUBMITTAL DATA**



**TECHNICAL DATA**  
**CONSTRUCTION:**

- Exposed topmount on 8 inch centers
- Solid cast brass body
- Brass 8" "D" shape swing spout
- Replaceable seats
- Brass quarter turn quick compression stem units
- Replaceable reinforced nitrile rubber packing
- Replaceable Buna-N seat washers
- Chrome plated die cast lever handles
- Handles are indexed "H" & "C"
- Equipped with water saving aerator
- Certified by IAPMO R&T to:

- \* NSF/ANSI 61- 2010a
- \* NSF/ANSI 372
- \* Low Lead
- \* ANSI A112.18.1 / CSA B125.1
- \* UPC
- \* IPC
- \* ADA Compliant



OPTIONS	
AERATORS / FLOW CONTROL	
0.5 GPM	2.2 GPM
1.0 GPM	
HANDLES	
W4 - 4" Wrist Blades	
W6 - 6" Wrist Blades	
VANDAL RESISTANT	
Handles - VR-H	
Aerator - VR-A	

**FINISH**

Polished chrome plate

**FLOW RATE**

1.5 GPM flow restricting aerator

**A.D.A. COMPLIANT**

Yes

**VARIANTS**

JV-1123-A = JV-1122-A w/ spray

JUST MFG. COMPANY CONTINUES TO MAKE QUALITY AND FUNCTIONALITY A MARK OF THE JUST PRODUCT LINE. WE RESERVE THE RIGHT TO CHANGE PRODUCT INFORMATION WITHOUT NOTICE. DIMENSIONS MAY CHANGE AND MAY BE SUBJECT TO CHANGE WITHOUT NOTICE. NO RESPONSIBILITY IS ASSUMED FOR USE OF SUPERCEDED OR VOIDED DATA. JUST MFG. CO. SINKS ARE MADE IN THE U.S.A. WHEN COMPARING OTHER BRAND PRODUCTS, BE SURE TO COMPARE USA QUALITY ALONG WITH FEATURES AND DIMENSIONS.

APPROVED FOR MANUFACTURING

MODEL NO.: **JV-1122-A** QTY: \_\_\_\_\_

JOB NAME: \_\_\_\_\_

TAG/ITEM: \_\_\_\_\_

CUSTOMER: \_\_\_\_\_

SIGNATURE: \_\_\_\_\_

**JUST MANUFACTURING COMPANY**

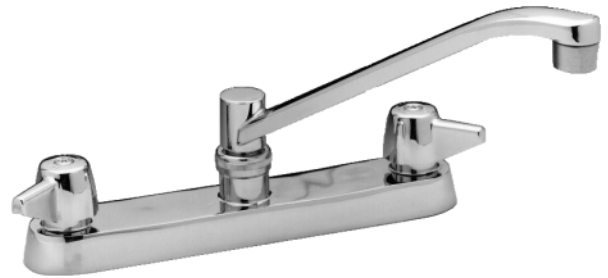
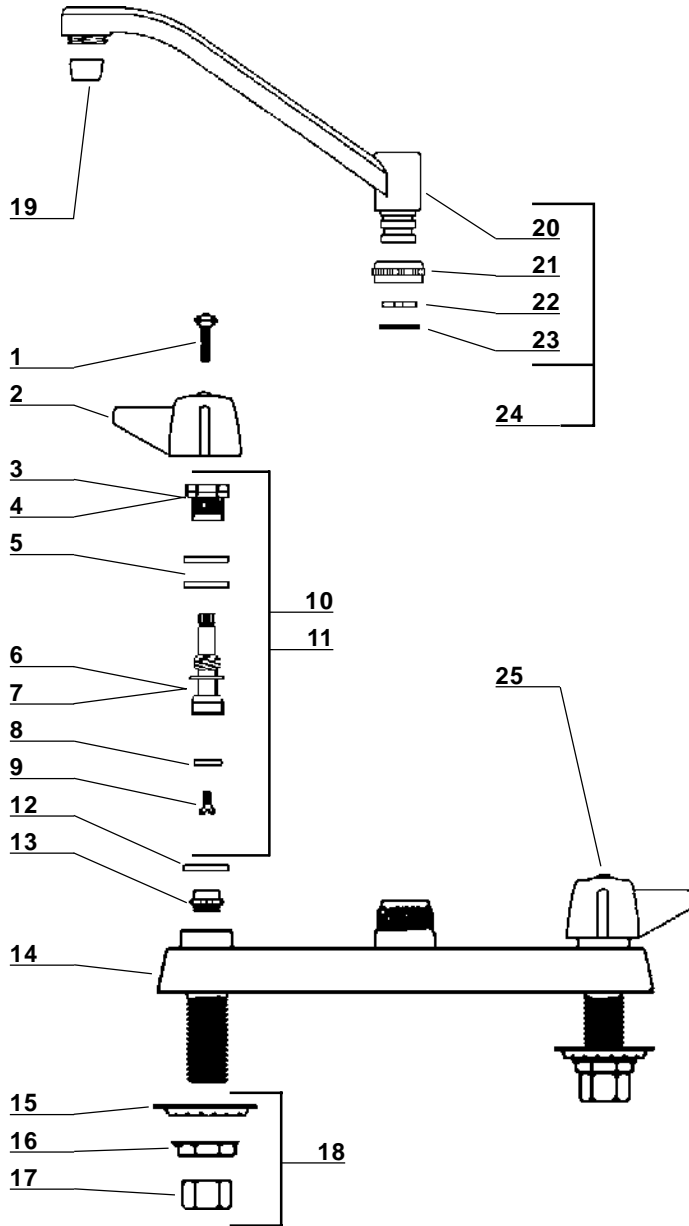
9233 KING STREET FRANKLIN PARK ILLINOIS 60131-2111

PH: 847-678-5150 . FAX: 847-678-6817 . E-MAIL: [custserv@justmfg.com](mailto:custserv@justmfg.com) . [www.justmfg.com](http://www.justmfg.com)



**FAUCET GROUP**

**KITCHEN SINK FAUCET**



Item No.	Part No.	Description
1	107-F	Handle Screw
2	523-H	Handle - Hot
3	454-EWC	Bonnet ( Cold Side)
4	454-EWH	Bonnet ( Hot Side)
5	1038-453	O-Ring
6	454-FL	Stem ( Left Side )
7	454-FR	Stem ( Right Side )
8	901-WN	Seat Washer
9	104	Seat Washer Screw
10	SU-454-EL	Stem & Bonnet Assembly (Left)
11	SU-454-ER	Stem & Bonnet Assembly (Right)
12	1028-Y	Gasket
13	263-BC	Replaceable Seat
14	1947-A	Body
15	54	Steel Washer
16	7133-AL	Locknut
17	4015	Coupling Nut
18	G-913-A	Washer & Nut Assembly
19	30-M	Aerator
20	PF-365-CA	Spout
21	PF-782-D	Spout Nut
22	166-F	Snap Ring
23	1038-K	O-Ring
24	SU-365-C	8" Spout Assembly
25	523-C	Handle - Cold

JUST MFG. COMPANY CONTINUES TO MAKE QUALITY AND FUNCTIONALITY A MARK OF THE JUST PRODUCT LINE. TO DO SO REQUIRES THAT WE RESERVE THE RIGHT TO CHANGE PRODUCT INFORMATION WITHOUT NOTICE. DIMENSIONS MAY VARY AND ARE SUBJET TO CHANGE WITHOUT NOTICE. NO RESPONSIBILITY IS ASSUMED FOR USE OF SUPERCEDED OR VOIDED DATA. FOR THE MOST CURRENT AND ACCURATE INFORMATION REGARDING THE COMPLETE LINE OF JUST SINKS, FAUCETS AND DRAINS, CLICK ON THE **SPEC LINE DRAWINGS** LINK ON OUR WEB SITE AT [www.justmfg.com](http://www.justmfg.com)

**JUST MANUFACTURING COMPANY**  
 9233 KING STREET . FRANKLIN PARK . ILLINOIS . 60131-2111  
 PH: 847-678-5150 . FAX: 847-678-6817  
 E-MAIL: [custserv@justmfg.com](mailto:custserv@justmfg.com) . [www.justmfg.com](http://www.justmfg.com)