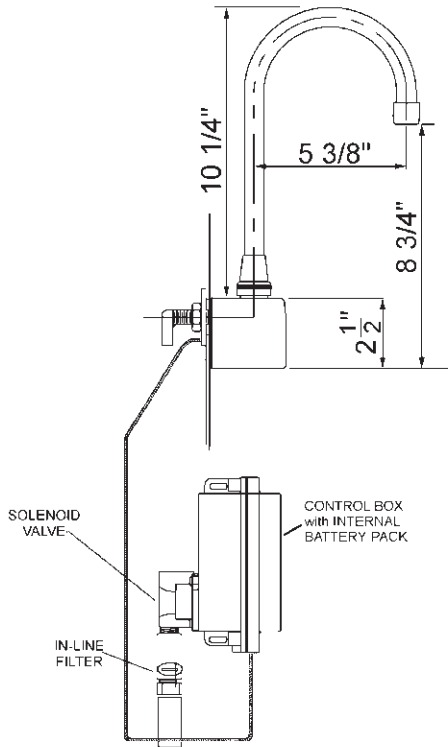




JSL-46-B

FAUCET GROUP

BACKSPLASH MOUNT - SENSOR FAUCET
BATTERY POWER



SUBMITTAL DATA

TECHNICAL DATA

CONSTRUCTION:

Single hole backsplash mount - non-mixing
 Sensor range - 6" - 30" - Preset/Adjustable
 Automatic time-out -
 Preset/adjustable to 0, 15, 30 or 60 sec.
 Shut-off delay - Preset - Adjustable 1 to 8 sec.
 In-line filter with clean-out trap
 Slow closing, piston operated solenoid
 Control circuit- solid state, battery power
 Solenoid valve - VSI silicone elastomer piston seal
 6V DC, normally closed
 .4W (idle), 5W (in use)
 Operating pressure - 5psi to 125 psi

Control module- wall mountable
 Control/power cable - armored, vandal resistant
 Battery Mode - (UL/CSA)
 Batteries - uses (4) AA Alkaline batteries
 Battery Life - 400,000 on/off cycles, up to 4yrs

FLOW RATE

1.5 GPM Laminar Flow Control

FINISH

Chrome plated

OPTIONS

Multi-unit adapter - serves up to (8) faucets
 Input AC 120V, Output DC 12V, 3A
 AC Power- Plug-in transformer

JUST MFG. COMPANY CONTINUES TO MAKE QUALITY AND FUNCTIONALITY A MARK OF THE JUST PRODUCT LINE. WE RESERVE THE RIGHT TO CHANGE PRODUCT INFORMATION WITHOUT NOTICE. DIMENSIONS MAY CHANGE AND MAY BE SUBJECT TO CHANGE WITHOUT NOTICE. NO RESPONSIBILITY IS ASSUMED FOR USE OF SUPERCEDED OR VOIDED DATA. JUST MFG. CO. SINKS ARE MADE IN THE U.S.A. WHEN COMPARING OTHER BRAND PRODUCTS, BE SURE TO COMPARE USA QUALITY ALONG WITH FEATURES AND DIMENSIONS.

APPROVED FOR MANUFACTURING	
MODEL NO.:	JSL-46-B QTY: _____
JOB NAME:	_____
TAG/ITEM:	_____
CUSTOMER:	_____
SIGNATURE:	_____

JUST MANUFACTURING COMPANY

9233 KING STREET . FRANKLIN PARK . ILLINOIS . 60131-2111

PH: 847-678-5150 . FAX: 847-678-6817 . E-MAIL: custserv@justmfg.com . www.justmfg.com