

ENVIRO SERIES SENSOR FAUCET

JSL-150 SENSOR FAUCET



AB1953 Certified

JSL-150 SPECIFICATIONS CONSTRUCTION:

- Single hole deck mount - non-mixing
- Self-adapting sensor distance adjustment
 - 30 second timeout feature prevents accidental overflow
- In-line filter with clean-out trap
- Slow closing, piston operated solenoid
- Control circuit- Solid state, AC or Battery
 - 6V DC, normally closed
 - 0.2W (idle), 3W (in use)
 - Operating pressure - 5psi to 125 psi
- Control/power cable - armored, vandal resistant
- AC Mode - Power Adapter (UL/CSA)
- Standard plug-in: Input AC 120V 60Hz
 - Output DC 7.5V. 0.8A/Class 2
- Power cable: Armored, vandal resistant
- Battery Mode - (UL/CSA)
 - Batteries - uses (4) AA Alkaline batteries
 - Battery Life - 400,000 on/off cycles, up to 4yrs

FLOW RATE

- .5 GPM Laminar Flow Control - vandal resistant

FINISH

- Chrome plated

OPTIONS

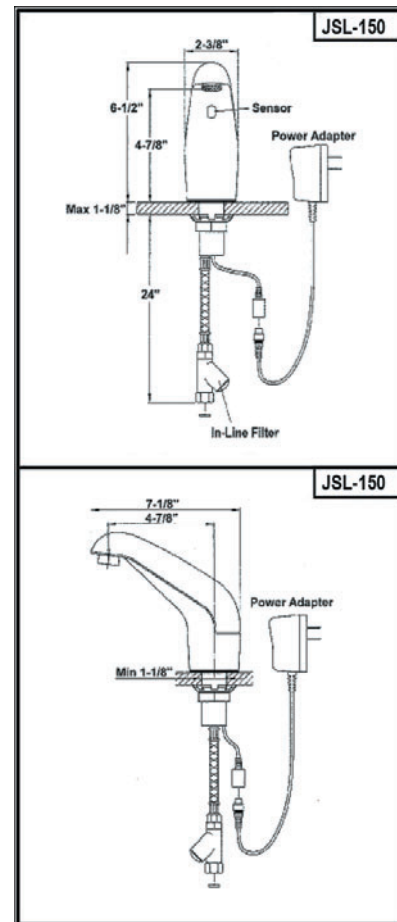
- Multi-unit adapter - serves up to (10) faucets

ENVIRO SERIES

Deck mount, non-mixing, automatic lavatory faucet with chrome plated, solid brass construction (single hole punch required). Includes faucet, sensor assembly with armored/vandal resistant control cable.

0.5 GPM vandal resistant aerator, 6V DC, slow-closing solenoid valve, 3/8" copper supply tube, in-line filter and mounting hardware.

Self-adapting sensor distance adjustment eliminates manual sensor adjustment. 30 second timeout feature prevents accidental sink overflow.



JUST MANUFACTURING COMPANY	9233 KING STREET	FRANKLIN PARK	ILLINOIS	60131
PH: 847.678.5150	FAX: 847.678.6817	EMAIL: CUSTSERV@JUSTMFG.COM	WEBSITE: WWW.JUSTMFG.COM	