

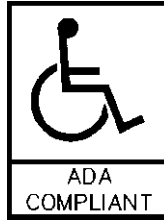
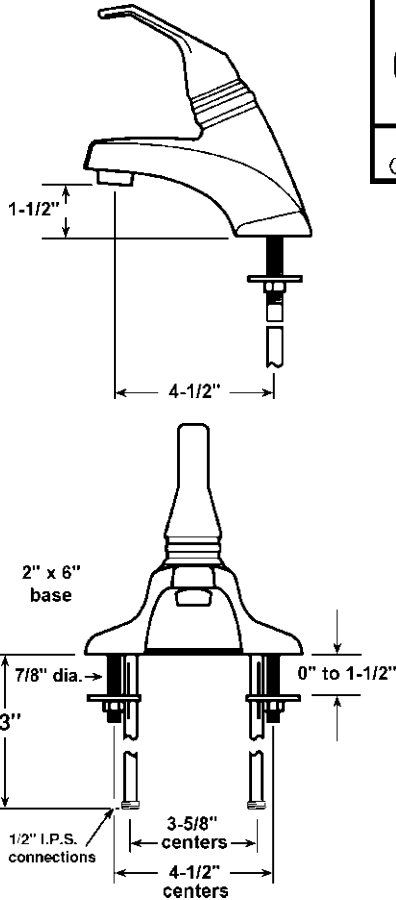


FAUCET GROUP

J-ADA-952

DECKMOUNT LAVATORY FAUCET

SUBMITTAL DATA



TECHNICAL DATA CONSTRUCTION:

- Deck mounted single control on 4 inch centers
- Cast brass A.D.A. compliant grid drain included
- Chrome plated die cast housing
- Die cast lever handle
- 1/2" I.P.S. connections
- Replaceable washerless valve cartridge
- Brazed copper and brass waterway
- Equipped with water saving aerator
- Conforms with ANSI standard 112.18.1
- Certified to NSF/ANSI 61

FINISH

Polished chrome

FLOW RATE

2.0 GPM max.

A.D.A. COMPLIANT

Yes

VARIANTS

- J-950 = Faucet only
- J-951 = J-950 w/ Pop-up drain
- J-952 = J-950 w/ J-115-FS

JUST MFG. COMPANY CONTINUES TO MAKE QUALITY AND FUNCTIONALITY A MARK OF THE JUST PRODUCT LINE. TO DO SO REQUIRES THAT WE RESERVE THE RIGHT TO CHANGE PRODUCT INFORMATION WITHOUT NOTICE. DIMENSIONS MAY VARY AND ARE SUBJECT TO CHANGE WITHOUT NOTICE. NO RESPONSIBILITY IS ASSUMED FOR USE OF SUPERCEDED OR VOIDED DATA. FOR THE MOST CURRENT AND ACCURATE INFORMATION REGARDING THE COMPLETE LINE OF JUST SINKS, FAUCETS AND DRAINS, CLICK ON THE SPEC LINE DRAWINGS LINK ON OUR WEB SITE AT www.justmfg.com

OPTIONS

HANDLE

Acrylic "P" (not ADA)

AERATOR

Lavatory Rose Spray "L-RS"

VANDAL RESISTANT

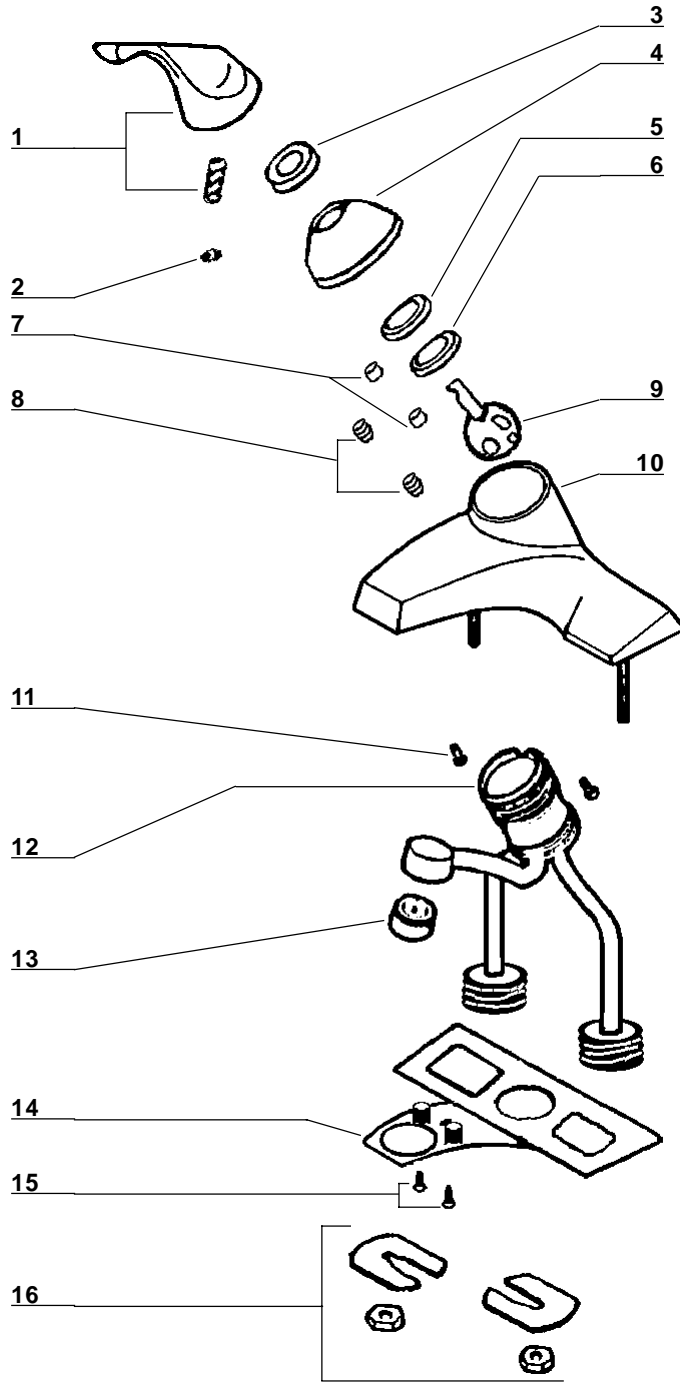
Aerator "VR-A"

Job Name _____	
Customer _____	
Architect/Engineer _____	
APPROVED FOR MANUFACTURING	
MODEL NO. _____	QTY. _____
COMPANY _____	
TITLE _____	DATE _____
SIGNATURE _____	

REVISED-5/2004

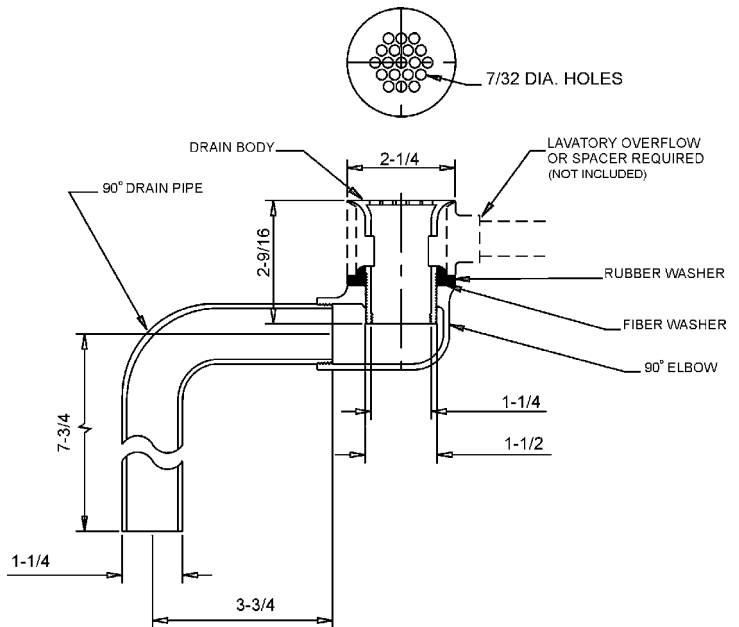
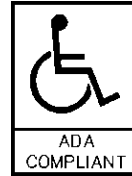
JUST MANUFACTURING COMPANY	
9233 KING STREET . FRANKLIN PARK . ILLINOIS . 60131-2111	
PH: 847-678-5150 . FAX: 847-678-6817	
E-MAIL: custserv@justmfg.com . www.justmfg.com	

J-ADA-952



FAUCET GROUP

DECKMOUNT LAVATORY FAUCET



Item No.	Part No.	Description
1	15C-812-01	Lever handle assembly - Chrome
2	10-822-02	Hot/Cold Index
3	01-812-03	Bonnet ring
4	15C-812-04	Bonnet
5	20-812-06	Bonnet cap
6	30-812-07	Cartridge gasket
7	30-425-16	Port seal ring
8	10-425-17	Port spring
9	10-812-08	Cartridge

Item No.	Part No.	Description
10	- -	Housing (Not Available)
11	- -	Core screw (Not Available)
12	- -	Core (Not Available)
13	01C-407-099	Aerator assembly
14	L3351GB	Undercover plate
15	L3321	Undercover plate screws
16	L6641	Mounting nut/washer parts - 2 ea

JUST MFG. COMPANY CONTINUES TO MAKE QUALITY AND FUNCTIONALITY A MARK OF THE JUST PRODUCT LINE. TO DO SO REQUIRES THAT WE RESERVE THE RIGHT TO CHANGE PRODUCT INFORMATION WITHOUT NOTICE. DIMENSIONS MAY VARY AND ARE SUBJECT TO CHANGE WITHOUT NOTICE. NO RESPONSIBILITY IS ASSUMED FOR USE OF SUPERCEDED OR VOIDED DATA. FOR THE MOST CURRENT AND ACCURATE INFORMATION REGARDING THE COMPLETE LINE OF JUST SINKS, FAUCETS AND DRAINS, CLICK ON THE **SPEC LINE DRAWINGS** LINK ON OUR WEB SITE AT www.justmfg.com