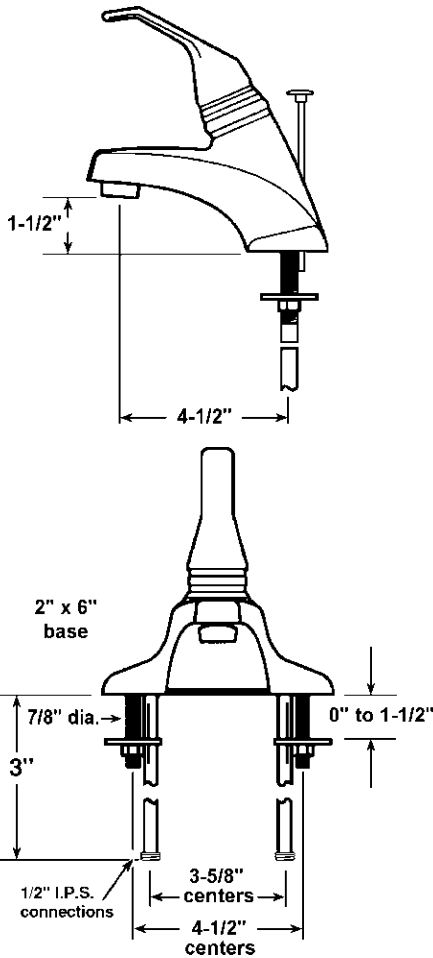




J-951

FAUCET GROUP
DECKMOUNT LAVATORY FAUCET

SUBMITTAL DATA



TECHNICAL DATA CONSTRUCTION:

- Deck mounted single control on 4 inch centers
- Brass pop-up drain w/ 1-1/4" tailpiece included
- Chrome plated die cast housing
- Die cast lever handle
- Replaceable washerless valve cartridge
- Brazed copper and brass waterway
- Equipped with water saving aerator
- Certified to NSF/ANSI 61

FINISH

Polished chrome

FLOW RATE

2.0 GPM max.

A.D.A. COMPLIANT

Yes

VARIANTS

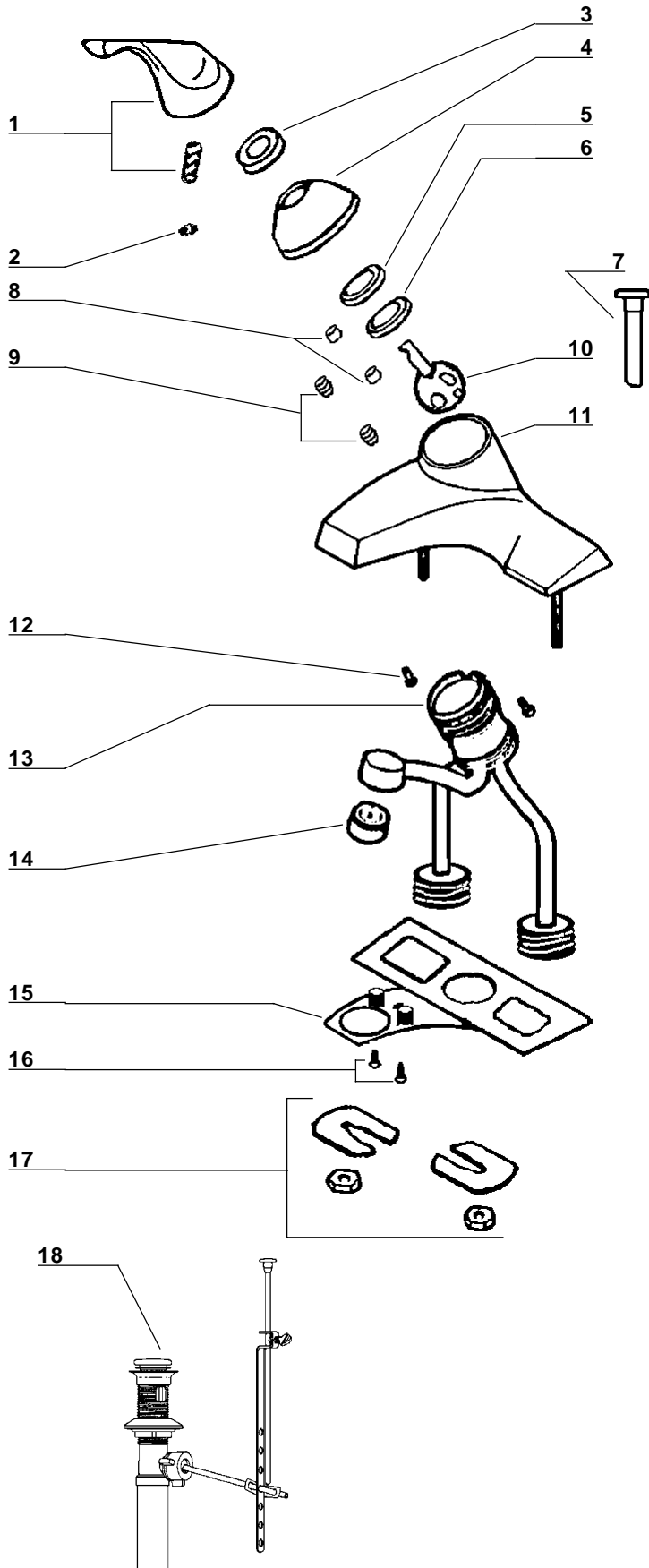
- J-950 = J-951 w/o Pop-up drain
- J-952 = J-950 w/ J-115-FS drain
- J-ADA-952 = J-950 w/ J-ADA-115-FS

OPTIONS	
AERATORS / FLOW CONTROL	
0.5 GPM	2.2 GPM
1.0 GPM	
VANDAL RESISTANT	
Aerator - VR-A	

APPROVED FOR MANUFACTURING	
MODEL NO.:	J-951
QTY:	_____
JOB NAME:	_____
TAG/ITEM:	_____
CUSTOMER:	_____
SIGNATURE:	_____

JUST MFG. COMPANY CONTINUES TO MAKE QUALITY AND FUNCTIONALITY A MARK OF THE JUST PRODUCT LINE. WE RESERVE THE RIGHT TO CHANGE PRODUCT INFORMATION WITHOUT NOTICE. DIMENSIONS MAY CHANGE AND MAY BE SUBJECT TO CHANGE WITHOUT NOTICE. NO RESPONSIBILITY IS ASSUMED FOR USE OF SUPERCEDED OR VOIDED DATA. JUST MFG. CO. SINKS ARE MADE IN THE U.S.A. WHEN COMPARING OTHER BRAND PRODUCTS, BE SURE TO COMPARE USA QUALITY ALONG WITH FEATURES AND DIMENSIONS.

J-951



FAUCET GROUP

DECKMOUNT LAVATORY FAUCET



Item No.	Part No.	Description
1	15C-812-01	Lever handle assembly - Chrome
2	10-822-02	Hot/Cold Index
3	01-812-03	Bonnet ring
4	15C-812-04	Bonnet
5	20-812-06	Bonnet cap
6	30-812-07	Cartridge gasket
7	L6805	Lift rod assembly - Chrome
8	30-425-16	Port seal ring
9	10-425-17	Port spring
10	10-812-08	Cartridge
11	- -	Housing (Not Available)
12	- -	Core screw (Not Available)
13	- -	Core (Not Available)
14	01C-407-099	Aerator assembly
15	L3351GB	Undercover plate
16	L3321	Undercover plate screws
17	L6641	Mounting nut/washer parts - 2 ea
18	JUP-11	Pop-up assembly (Chrome)

JUST MFG. COMPANY CONTINUES TO MAKE QUALITY AND FUNCTIONALITY A MARK OF THE JUST PRODUCT LINE. TO DO SO REQUIRES THAT WE RESERVE THE RIGHT TO CHANGE PRODUCT INFORMATION WITHOUT NOTICE. DIMENSIONS MAY VARY AND ARE SUBJECT TO CHANGE WITHOUT NOTICE. NO RESPONSIBILITY IS ASSUMED FOR USE OF SUPERCEDED OR VOIDED DATA. FOR THE MOST CURRENT AND ACCURATE INFORMATION REGARDING THE COMPLETE LINE OF JUST SINKS, FAUCETS AND DRAINS, CLICK ON THE SPEC LINE DRAWINGS LINK ON OUR WEB SITE AT www.justmfg.com

JUST MANUFACTURING COMPANY

9233 KING STREET . FRANKLIN PARK . ILLINOIS . 60131-2111

PH: 847-678-5150 . FAX: 847-678-6817

E-MAIL: custserv@justmfg.com .

www.justmfg.com