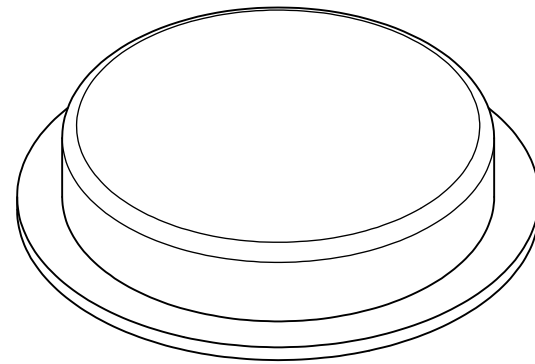
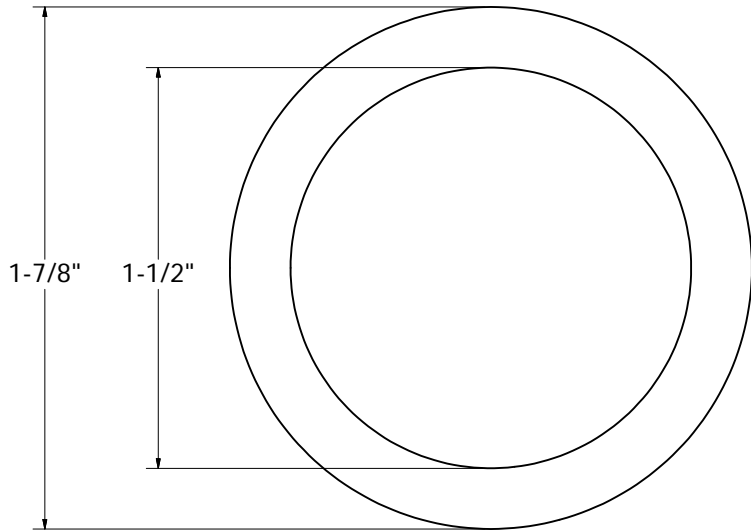
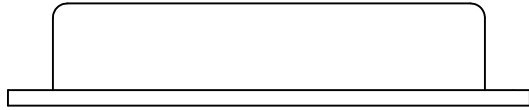


# KNOCKOUT TEST CAP



BOTTOM VIEW



PHONE NUMBER		1-800-355-6637	
FAX NUMBER		1-800-462-6991	
SCALE	DATE		
3 : 1	6/14/13		
SHEET			
1 OF 1			
DRAWN BY			
ASHLEY KRALOVEC			

PART NO.	T33001
PIPE SIZE	1-1/2"
CTN/MSTER	100/5000