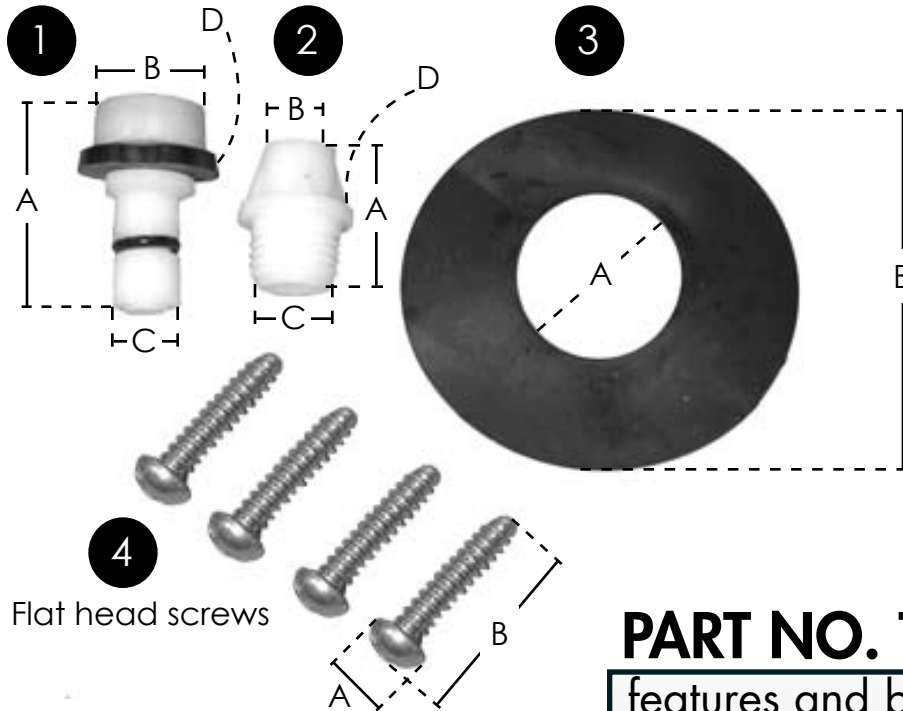


SPECIFICATION SUBMITTAL SHEET

JONES STEPHENS CORPORATION

BALLCOCK REPAIR PARTS FOR HOOVER/AMERLINE



PART NO. T02-050

features and benefits:

This product and others like it can be found in the Jones Stephens catalog. Call today to order your catalog or download it from our website:
www.plumbest.com

PART NO.	DESCRIPTION	A	B	C	D
□ T02-050	Standard kit with 4 screws				
	PART 1	1 1/4"	5/8"	3/8"	3/4"
	PART 2	7/8"	7/16"	1/2"	5/8"
	PART 3	1"	1 3/8"	-	-
	PART 4	5/16"	1"	-	-

Jones Stephens Corporation
3249 Moody Parkway • Moody, Alabama 35004
Toll Free Phone: 1-800-355-6637 • Toll Free Fax: 1-800-462-6991
www.plumbest.com