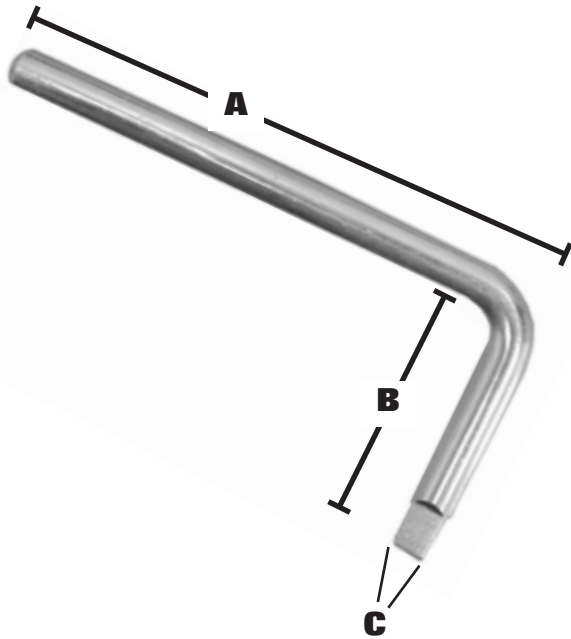


# SPECIFICATION SUBMITTAL SHEET

JONES STEPHENS CORPORATION

## SEAT WRENCH FOR RECESSED SEATS



**PART NO.(S) S62-005**

### **features and benefits:**

- Works in hard-to-reach recessed seats

This product and others like it can be found in the Jones Stephens catalog. Call today to order your catalog or download it from our website:  
[www.plumbest.com](http://www.plumbest.com)

PART NO.	DESCRIPTION	A	B	C
□ S62-005	Seat wrench for recessed seats	4-3/4"	2"	1/4"

Jones Stephens Corporation  
3249 Moody Parkway • Moody, Alabama 35004  
Toll Free Phone: 1-800-355-6637 • Toll Free Fax: 1-800-462-6991  
[www.plumbest.com](http://www.plumbest.com)