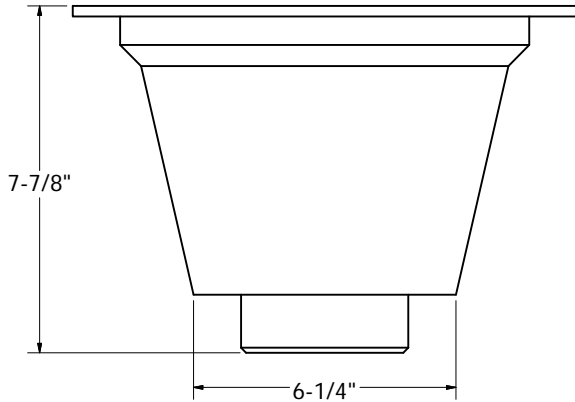
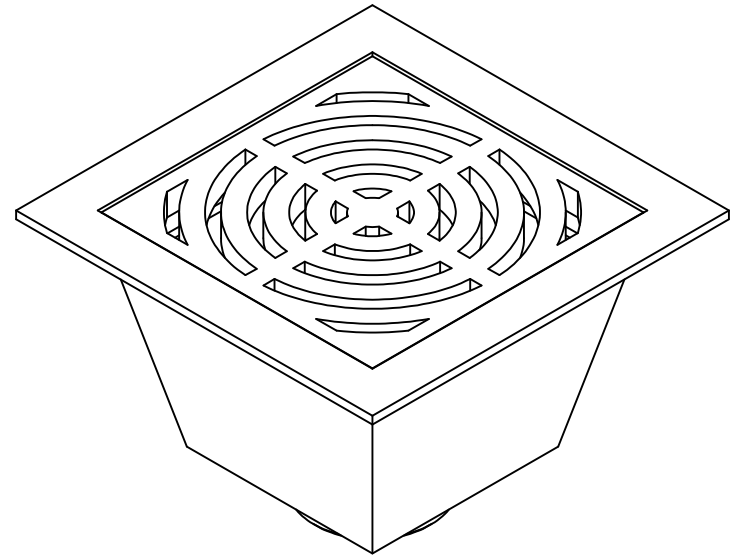
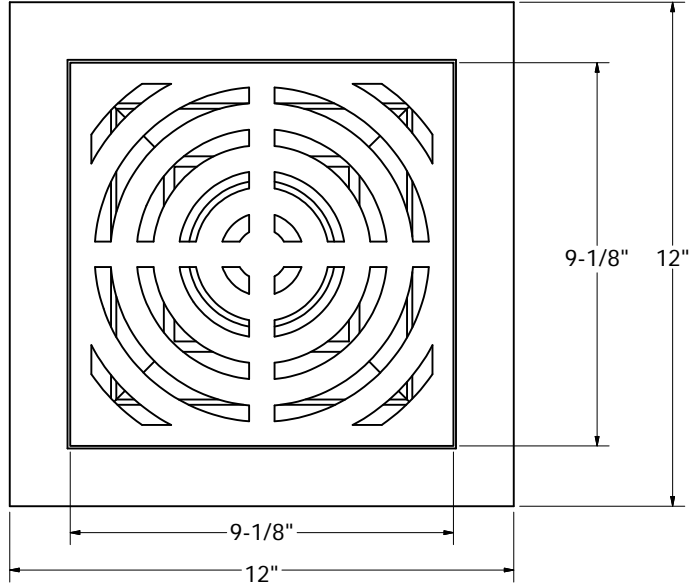


COMPLETE PVC FLOOR SINK KITS-PIPE FIT



PHONE NUMBER
1-800-355-6637
FAX NUMBER
1-800-462-6991
SCALE 7/16 : 1 DATE 12-14-12
SHEET 1 OF 1
DRAWN BY
ASHLEY KRALOVEC

PART NO.	S59063
DESCRIPTION	3" X 4" - FULL TOP GRATE -DOME BOTTOM GRATE
CTN QTY	1