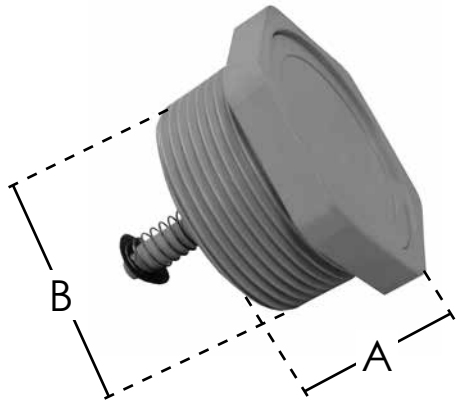


SPECIFICATION SUBMITTAL SHEET

JONES STEPHENS CORPORATION

SEWER RELIEF PLUGS

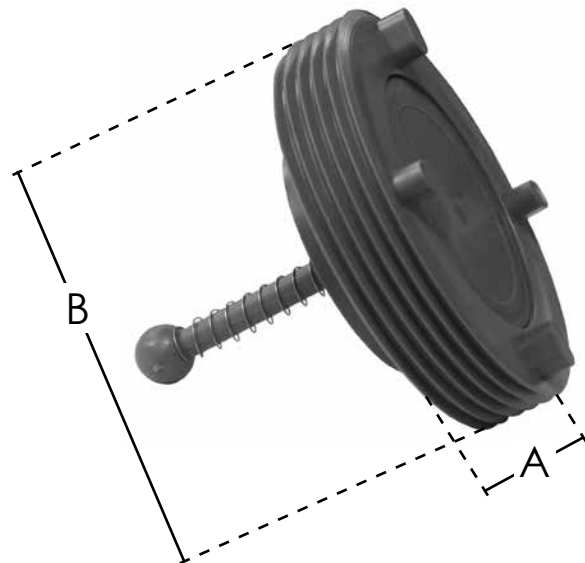


PART NO.	SIZE	A	B
□ S25150	1-1/2"	3/4"	2-3/4"
□ S25200	2"	5/8"	2-1/4"
□ S25250	2-1/2"	5/8"	2-3/4"

features and benefits:

- High-density construction
- Eliminates costly damages caused by sewer back-up
- Spring-loaded to close automatically to eliminate sewer gas
- Made of ABS
- Made in USA

This product and others like it can be found in the Jones Stephens catalog. Call today to order your catalog or download it from our website:
www.jonesstephens.com



PART NO.	SIZE	A	B
□ S25300	3"	5/8"	3-3/8"
□ S25350	3-1/2"	5/8"	4"
□ S25400	4"	5/8"	4-3/8"

Jones Stephens

3249 Moody Parkway • Moody, Alabama 35004

Toll Free Phone: 1-800-355-6637 • Toll Free Fax: 1-800-462-6991

www.jonesstephens.com