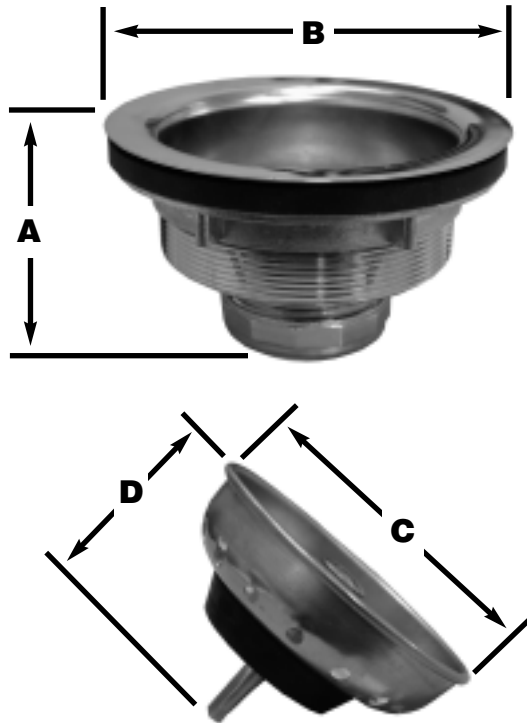


SPECIFICATION SUBMITTAL SHEET

j o n e s s t e p h e n s c o r p o r a t i o n

CHROME PLATED BRASS DUO BASKET STRAINER



PART NO. S14-250

features and benefits:

- Chrome plated brass body with stainless steel basket
- Heavy duty construction
- Neoprene Stopper
- Stick Post

This product and others like it can be found in the Jones Stephens catalog. Call today to order your catalog or download it from our website: www.plumbest.com

PART NO.	DESCRIPTION	A	B	C	D
☐ S14-250	Chrome Plated Brass Duo	2 5/8"	4 1/2"OD - 3 3/8"ID	3 1/8"	1 5/8"

jones stephens corporation
 3249 moody parkway • moody, alabama 35004
 toll free phone: 1-800-355-6637 • toll free fax: 1-800-462-6991
www.plumbest.com