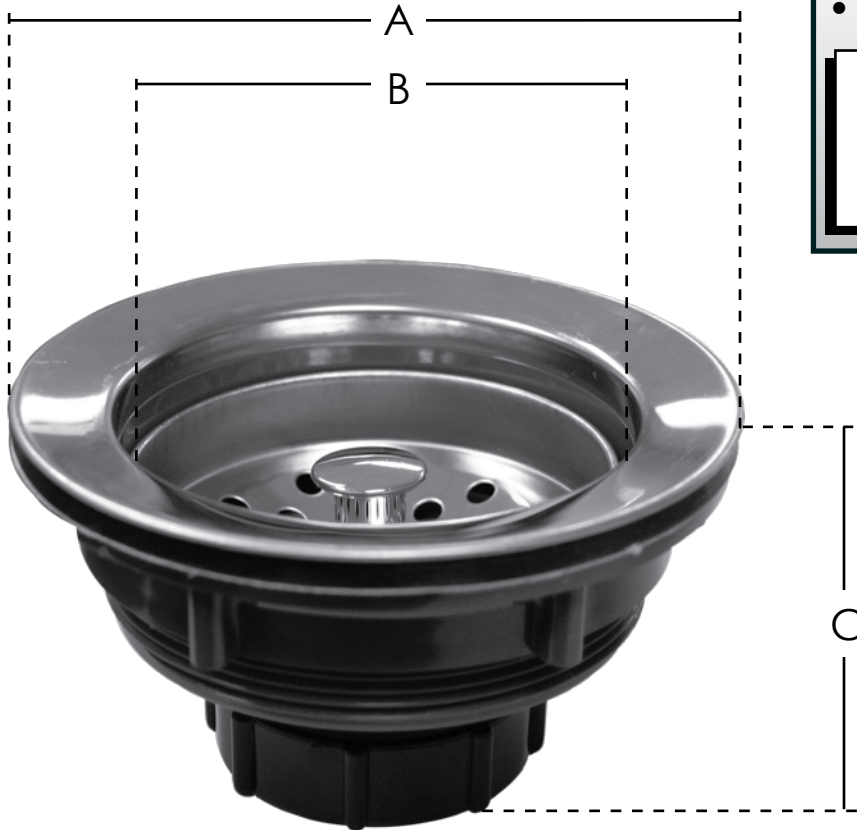


SPECIFICATION SUBMITTAL SHEET

JONES STEPHENS CORPORATION

ABS BODY & POST BASKET STRAINER



features and benefits:

- Plastic nut

This product and others like it can be found in the Jones Stephens catalog. Call today to order your catalog or download it from our website: www.plumbest.com

PART NO.	DESCRIPTION	A	B	C
□ S14-030	ABS body and post basket strainer	4 3/8"	3"	2 1/2"

Jones Stephens Corporation
3249 Moody Parkway • Moody, Alabama 35004
Toll Free Phone: 1-800-355-6637 • Toll Free Fax: 1-800-462-6991
www.plumbest.com