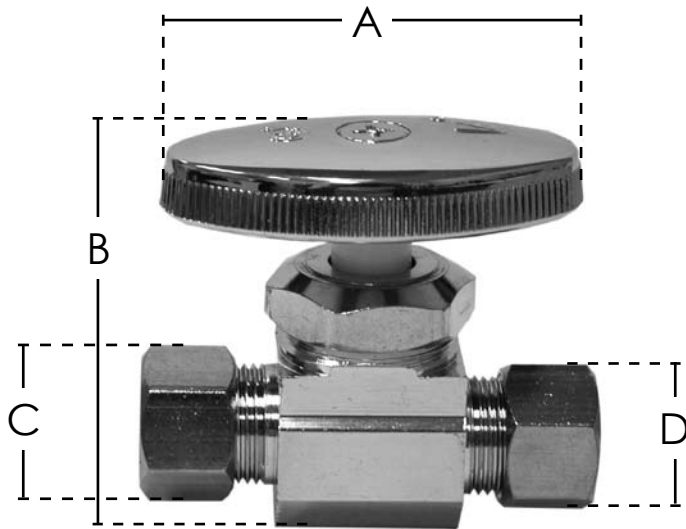


SPECIFICATION SUBMITTAL SHEET

JONES STEPHENS CORPORATION

OD x OD STRAIGHT SUPPLY STOP 180° TURN



features and benefits:

- ◆ UPC listed
- ◆ LEAD FREE

This product and others like it can be found in the Jones Stephens catalog. Call today to order your catalog or download it from our website:
www.plumbest.com

PART NO.	DESCRIPTION	A	B	C	D
□ S10323	3/8" OD x 3/8" OD Straight	1 7/8"	1 3/4"	5/8"	5/8"
□ S10303	5/8" OD x 3/8" OD Straight	1 7/8"	1 3/4"	1"	5/8"
□ S10316	5/8" OD x 1/2" OD Straight	1 7/8"	1 3/4"	1"	13/16"

Jones Stephens Corporation
3249 Moody Parkway • Moody, Alabama 35004
Toll Free Phone: 1-800-355-6637 • Toll Free Fax: 1-800-462-6991
www.plumbest.com