

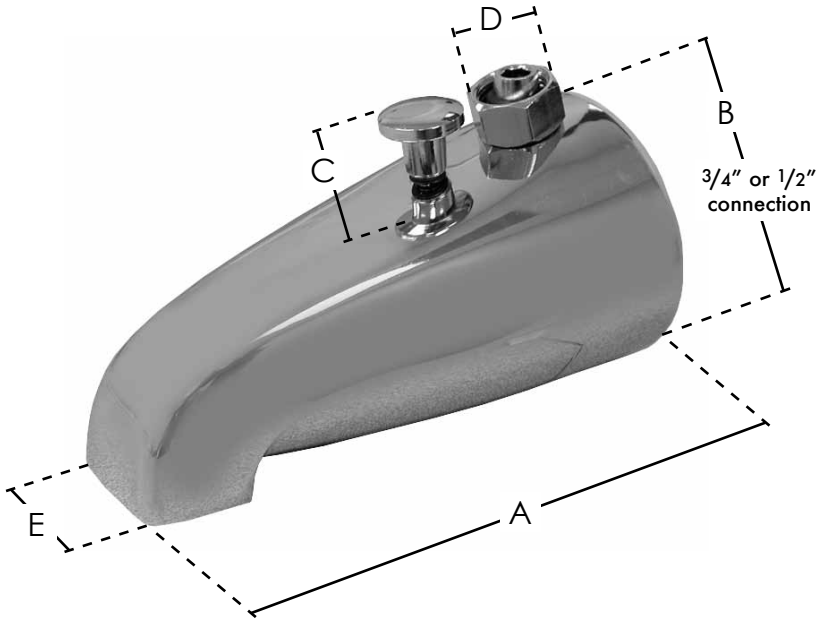
SPECIFICATION SUBMITTAL SHEET

JONES STEPHENS CORPORATION

DIVERTER SPOUT FOR S10071

PART NO. S10081

features & benefits:



This product and others like it can be found in the Jones Stephens catalog. Call today to order your catalog or download it from our website: www.plumbest.com

PART NO.	DESCRIPTION	A	B	C	D	E
□ S10081	Diverter Spout for S10071	5 3/16"	2 9/16" (with 3/4" or 1/2" connection)	5/8"	3/8" FIP	1 5/16"

Jones Stephens Corporation
3249 Moody Parkway • Moody, Alabama 35004
Toll Free Phone: 1-800-355-6637 • Toll Free Fax: 1-800-462-6991
www.plumbest.com