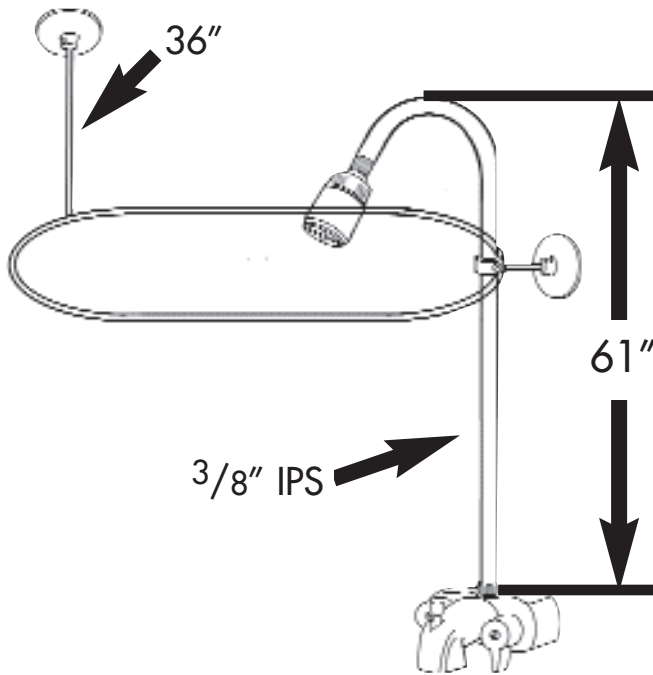


SPECIFICATION SUBMITTAL SHEET

jones stephens corporation

ADD-A-SHOWER COMPLETE UNIT



PART NO. S10-070

features and benefits:

- 27" x 42" oval aluminum shower rod with 36" ceiling rod and support
- Bathcock with diverter spout
- 61" riser with 12" rod and riser support
- Chrome plated plastic shower head

This product and others like it can be found in the Jones Stephens catalog. Call today to order your catalog or download it from our website: www.plumbest.com

PART NO.	DESCRIPTION	A	B	C
□ S10-070	12" x 12" x 4"	36"	12"	3/8" IPS

jones stephens corporation
 3249 moody parkway • moody, alabama 35004
 toll free phone: 1-800-355-6637 • toll free fax: 1-800-462-6991
www.plumbest.com