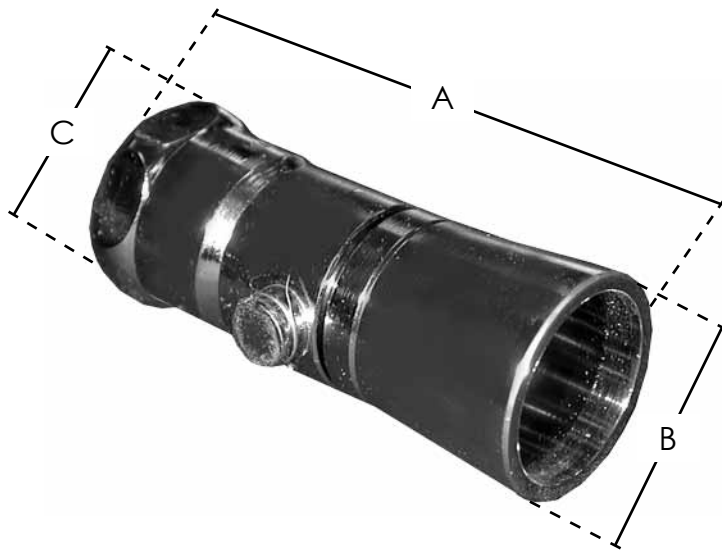


SPECIFICATION SUBMITTAL SHEET

JONES STEPHENS CORPORATION

BRASS AERATING WATER SAVER SHOWER HEAD



PART NO. S01-014

features & benefits:

- Permanent built-in water restrictor
- Mixes air and water for invigorating spray
- Restricts water to 2-2.5 gpm, depending on water pressure

This product and others like it can be found in the Jones Stephens catalog. Call today to order your catalog or download it from our website:
www.plumbest.com

PART NO.	SIZE	DESCRIPTION	A	B	C
□ S01-014	1"	Chrome w/shutoff	2 10/16"	1"	14/16"

Jones Stephens Corporation
3249 Moody Parkway • Moody, Alabama 35004
Toll Free Phone: 1-800-355-6637 • Toll Free Fax: 1-800-462-6991
www.plumbest.com