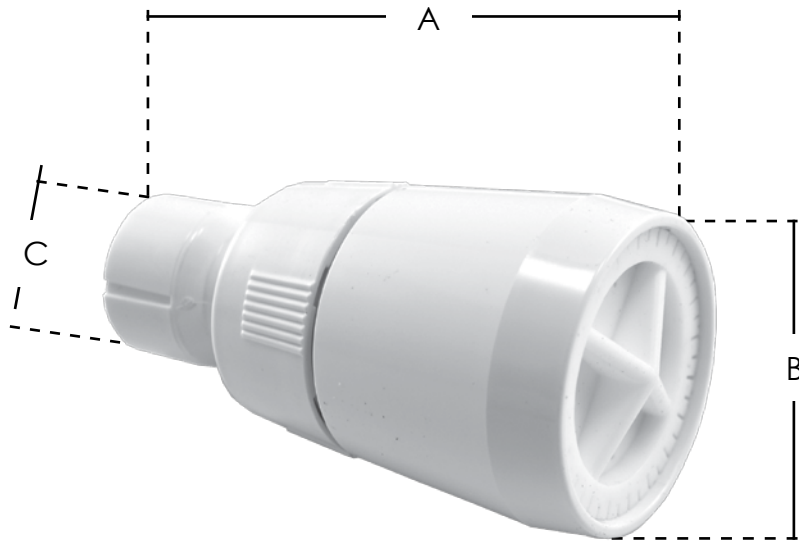


# SPECIFICATION SUBMITTAL SHEET

JONES STEPHENS CORPORATION

## PLASTIC SHOWER HEAD



### features & benefits:

- 2.5 gpm flow rate

This product and others like it can be found in the Jones Stephens catalog. Call today to order your catalog or download it from our website:  
[www.plumbest.com](http://www.plumbest.com)

PART NO.	DESCRIPTION	A	B	C
□ S01002	2" White with plastic ball	3 3/8"	1 3/4"	ID 1/2" FIP OD 1"

Jones Stephens Corporation  
3249 Moody Parkway • Moody, Alabama 35004  
Toll Free Phone: 1-800-355-6637 • Toll Free Fax: 1-800-462-6991  
[www.plumbest.com](http://www.plumbest.com)