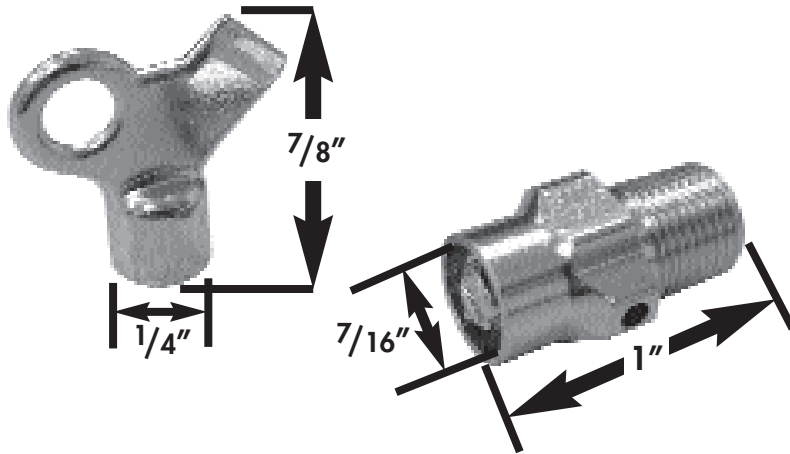


SPECIFICATION SUBMITTAL SHEET

j o n e s s t e p h e n s c o r p o r a t i o n

RADIATOR COIN KEY AIR VALVE AND KEY



PART NO.	DESCRIPTION
<input type="checkbox"/> R20-001	Vent valve with key
<input type="checkbox"/> R20-002	Key only
<input type="checkbox"/> R20-003	Valve only

jones stephens corporation
3249 moody parkway • moody, alabama 35004
toll free phone: 1-800-355-6637 • toll free fax: 1-800-462-6991
www.plumbest.com