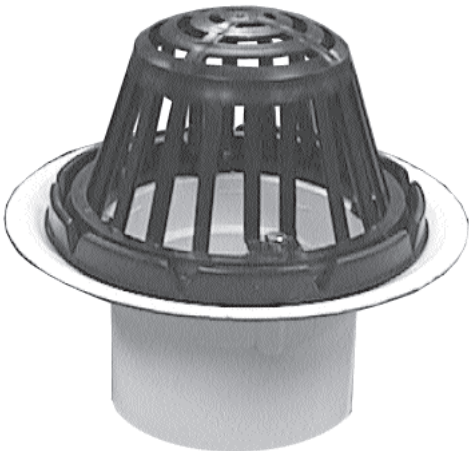


SPECIFICATION SUBMITTAL SHEET

jones stephens corporation

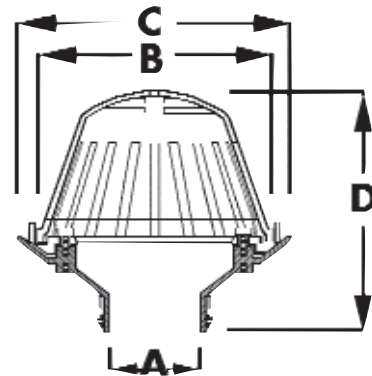
ROOF DRAIN



features and benefits:

FITS OVER SCHEDULE 40 DWV PIPE

- Brass inserts in underside for underdeck clamps
- Dome has 50 square inches of free area



CAST IRON DOME

| PVC | ABS | SIZE | A | B | C | D |
|----------------------------------|----------------------------------|------|--------------|--------|-----|----|
| <input type="checkbox"/> R18-001 | <input type="checkbox"/> R18-009 | 2" | Over 2" pipe | 8 1/4" | 11" | 9" |
| <input type="checkbox"/> R18-005 | <input type="checkbox"/> R18-007 | 3" | Over 3" pipe | 8 1/4" | 11" | 9" |
| <input type="checkbox"/> R18-006 | <input type="checkbox"/> R18-008 | 4" | Over 4" pipe | 8 1/4" | 11" | 9" |
| <input type="checkbox"/> R18-026 | <input type="checkbox"/> ----- | 6" | Over 6" pipe | 8 1/4" | 11" | 8" |

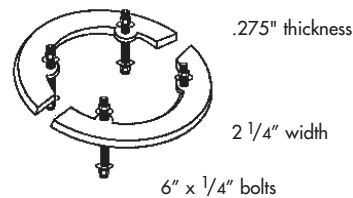
PLASTIC DOME

| PVC | ABS | SIZE | A | B | C | D |
|----------------------------------|----------------------------------|------|--------------|--------|-----|----|
| <input type="checkbox"/> R18-013 | <input type="checkbox"/> R18-016 | 2" | Over 2" pipe | 8 1/4" | 11" | 8" |
| <input type="checkbox"/> R18-014 | <input type="checkbox"/> R18-017 | 3" | Over 3" pipe | 8 1/4" | 11" | 8" |
| <input type="checkbox"/> R18-015 | <input type="checkbox"/> R18-018 | 4" | Over 4" pipe | 8 1/4" | 11" | 8" |
| <input type="checkbox"/> R18-027 | <input type="checkbox"/> ----- | 6" | Over 6" pipe | 8 1/4" | 11" | 8" |

ACCESSORIES

| PART NO. | DESCRIPTION |
|----------|-----------------------------|
| R18-011 | 2", 3" & 4" Underdeck clamp |
| R18-028 | 6" underdeck clamp |
| R18-012 | 16" receiving pan |
| R18-019 | Plastic roof dome |
| R18-020 | Cast iron roof dome |

UNDERDECK CLAMP



jones stephens corporation
 3249 moody parkway • moody, alabama 35004
 toll free phone: 1-800-355-6637 • toll free fax: 1-800-462-6991
 www.plumbest.com