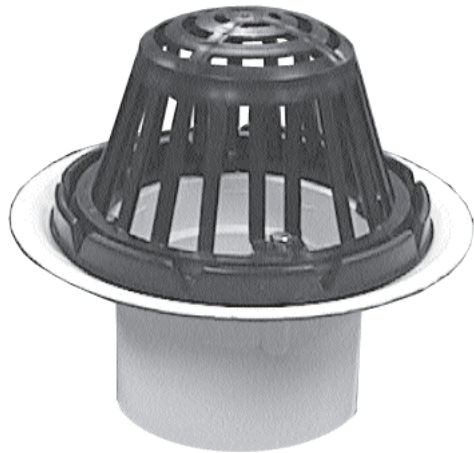


# SPECIFICATION SUBMITTAL SHEET

jones stephens corporation

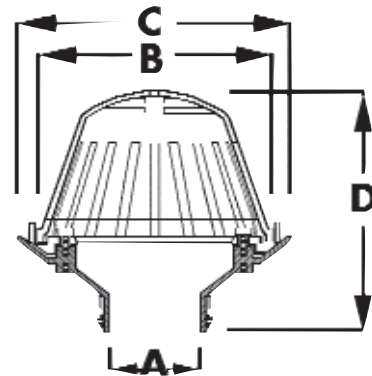
## ROOF DRAIN



### features and benefits:

*FITS OVER SCHEDULE 40 DWV PIPE*

- Brass inserts in underside for underdeck clamps
- Dome has 50 square inches of free area



### CAST IRON DOME

PVC	ABS	SIZE	A	B	C	D
<input type="checkbox"/> R18-001	<input type="checkbox"/> R18-009	2"	Over 2" pipe	8 1/4"	11"	9"
<input type="checkbox"/> R18-005	<input type="checkbox"/> R18-007	3"	Over 3" pipe	8 1/4"	11"	9"
<input type="checkbox"/> R18-006	<input type="checkbox"/> R18-008	4"	Over 4" pipe	8 1/4"	11"	9"
<input type="checkbox"/> R18-026	<input type="checkbox"/> -----	6"	Over 6" pipe	8 1/4"	11"	8"

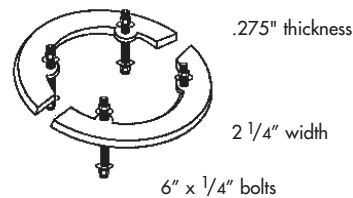
### PLASTIC DOME

PVC	ABS	SIZE	A	B	C	D
<input type="checkbox"/> R18-013	<input type="checkbox"/> R18-016	2"	Over 2" pipe	8 1/4"	11"	8"
<input type="checkbox"/> R18-014	<input type="checkbox"/> R18-017	3"	Over 3" pipe	8 1/4"	11"	8"
<input type="checkbox"/> R18-015	<input type="checkbox"/> R18-018	4"	Over 4" pipe	8 1/4"	11"	8"
<input type="checkbox"/> R18-027	<input type="checkbox"/> -----	6"	Over 6" pipe	8 1/4"	11"	8"

### ACCESSORIES

PART NO.	DESCRIPTION
R18-011	2", 3" & 4" Underdeck clamp
R18-028	6" underdeck clamp
R18-012	16" receiving pan
R18-019	Plastic roof dome
R18-020	Cast iron roof dome

### UNDERDECK CLAMP



jones stephens corporation  
 3249 moody parkway • moody, alabama 35004  
 toll free phone: 1-800-355-6637 • toll free fax: 1-800-462-6991  
 www.plumbest.com