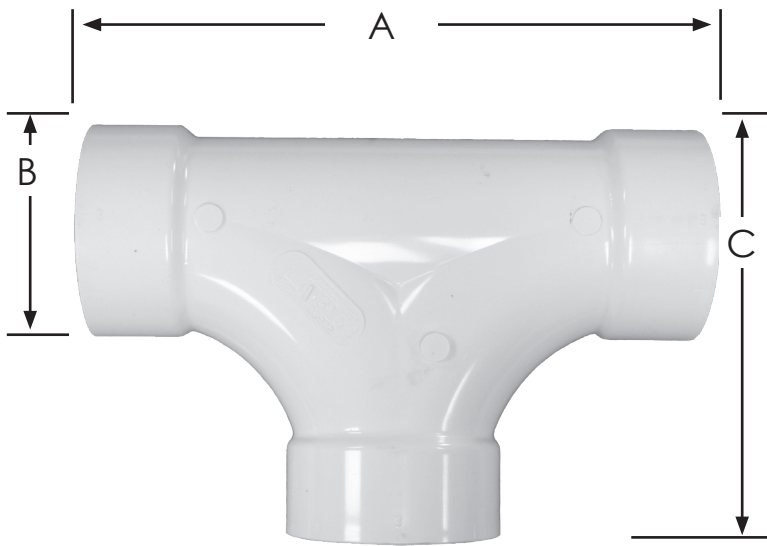


# SPECIFICATION SUBMITTAL SHEET

JONES STEPHENS CORPORATION

## TWO-WAY CLEANOUT TEE (H x H x H)



### features and benefits:

- Used with a vertical pipe stack, this fitting provides for above ground level access to piping

This product and others like it can be found in the Jones Stephens catalog. Call today to order your catalog or download it from our website: [www.plumbest.com](http://www.plumbest.com)

PART NO.	SIZE	A	B	C
□ PTC644	4"	13-1/4"	5"	9-1/8"

Jones Stephens Corporation  
3249 Moody Parkway • Moody, Alabama 35004  
Toll Free Phone: 1-800-355-6637 • Toll Free Fax: 1-800-462-6991  
[www.plumbest.com](http://www.plumbest.com)