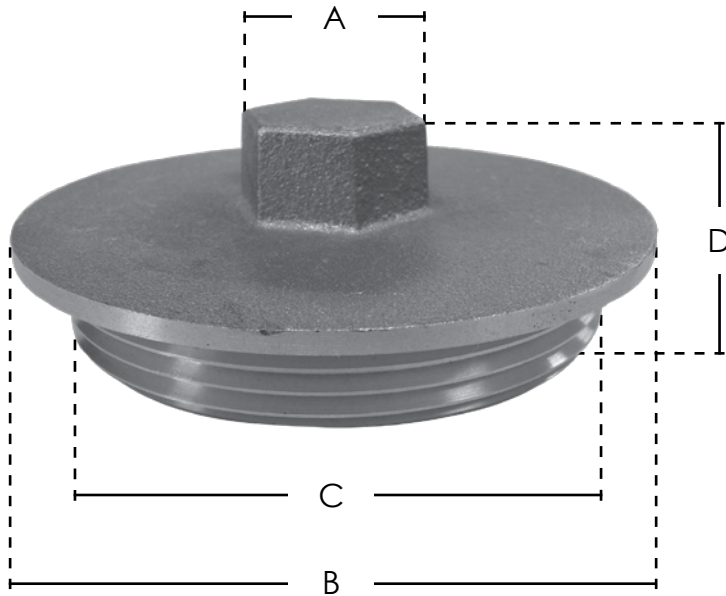


SPECIFICATION SUBMITTAL SHEET

JONES STEPHENS CORPORATION

NEW ORLEANS CODE BRASS PLUGS



features & benefits:

This product and others like it can be found in the Jones Stephens catalog. Call today to order your catalog or download it from our website: www.plumbest.com

PART NO.	PLUG	OD	A	B	C	D
□ P55300	3"	3 3/8"	1 1/4"	4"	3 1/8" ID 3 3/8" OD	3/4"

Jones Stephens Corporation
3249 Moody Parkway • Moody, Alabama 35004
Toll Free Phone: 1-800-355-6637 • Toll Free Fax: 1-800-462-6991
www.plumbest.com