

# SPECIFICATION SUBMITTAL SHEET

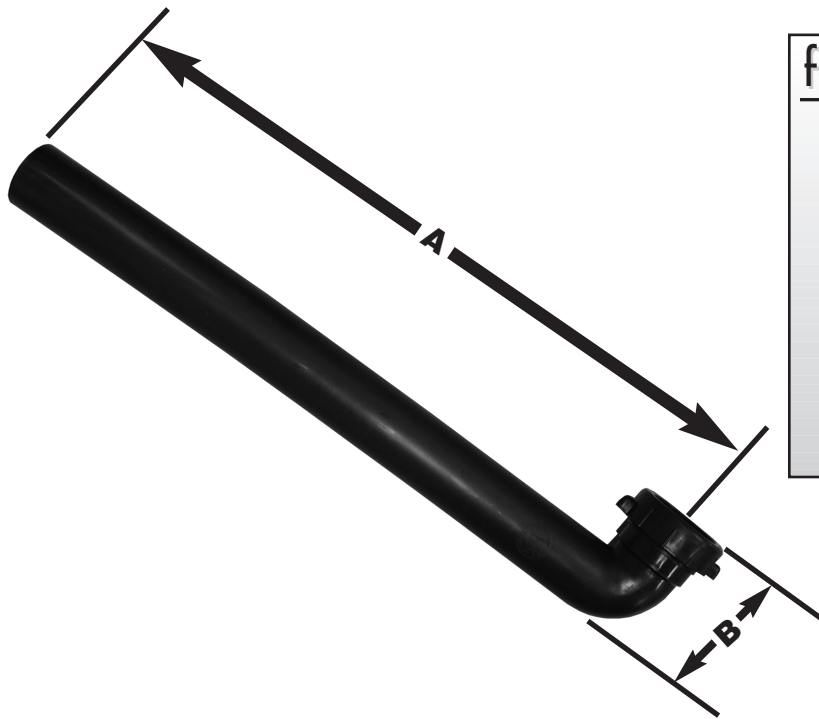
j o n e s   s t e p h e n s   c o r p o r a t i o n

## ABS SLIP JOINT WASTE ARM

**PART NO: P39-016**

features and benefits:

This product and others like it can be found in the Jones Stephens catalog. Call today to order your catalog or download it from our website: [www.plumbest.com](http://www.plumbest.com)



PART NO.	SIZE	A	B	C	D
□ P39-016	1 1/2" x 16"	16 1/8"	2 3/4"		

jones stephens corporation  
3249 moody parkway • moody, alabama 35004  
toll free phone: 1-800-355-6637 • toll free fax: 1-800-462-6991  
[www.plumbest.com](http://www.plumbest.com)