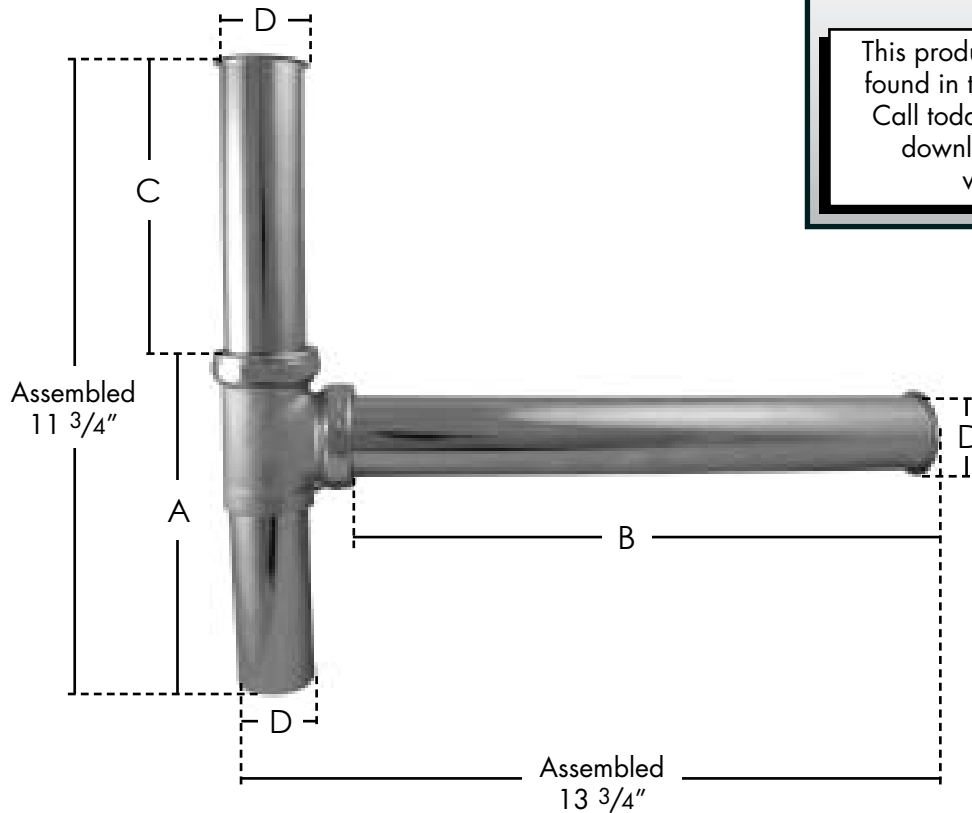


SPECIFICATION SUBMITTAL SHEET

JONES STEPHENS CORPORATION

CHROME PLATED DISPOSER KIT



features and benefits:

This product and others like it can be found in the Jones Stephens catalog. Call today to order your catalog or download it from our website: www.plumbest.com

PART NO.	DESCRIPTION	GAUGE	A	B	C	D
□ P38-165	1 1/2" x 13" Chrome Plated Disposer Kit	17	6 1/4"	13"	6"	1 1/2"

Jones Stephens Corporation
3249 Moody Parkway • Moody, Alabama 35004
Toll Free Phone: 1-800-355-6637 • Toll Free Fax: 1-800-462-6991
www.plumbest.com