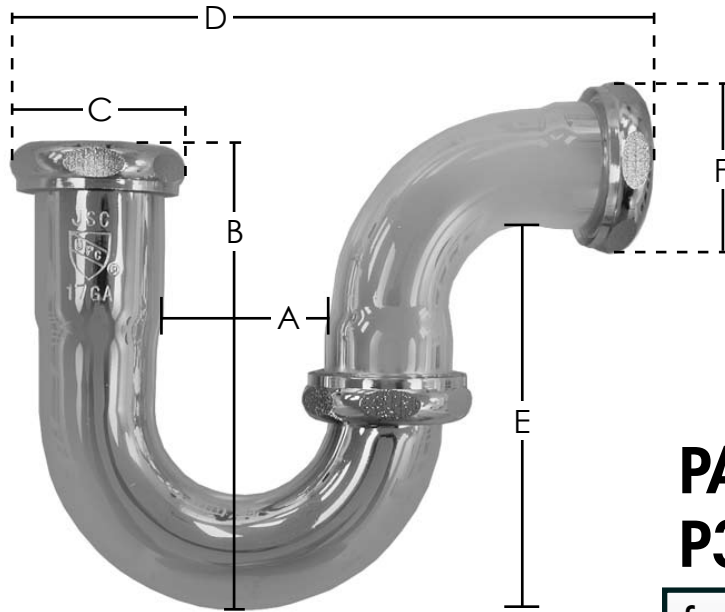


SPECIFICATION SUBMITTAL SHEET

JONES STEPHENS CORPORATION

CHROME PLATED BRASS REPAIR TRAPS



**PART NO.
P38-105, P38-106**

features and benefits:

- ◆ Brass nuts

This product and others like it can be found in the Jones Stephens catalog. Call today to order your catalog or download it from our website:
www.plumbest.com

PART NO.	SIZE	GAUGE	A	B	C	D	E	F
□ P38-105	1 1/4"	17	1 3/4"	3 1/2"	1 3/4"	6 3/4"	4 1/2"	1 3/4"
□ P38-106	1 1/2"	17	2"	5 1/2"	2"	7"	4 3/4"	2"

Jones Stephens Corporation
3249 Moody Parkway • Moody, Alabama 35004
Toll Free Phone: 1-800-355-6637 • Toll Free Fax: 1-800-462-6991
www.plumbest.com