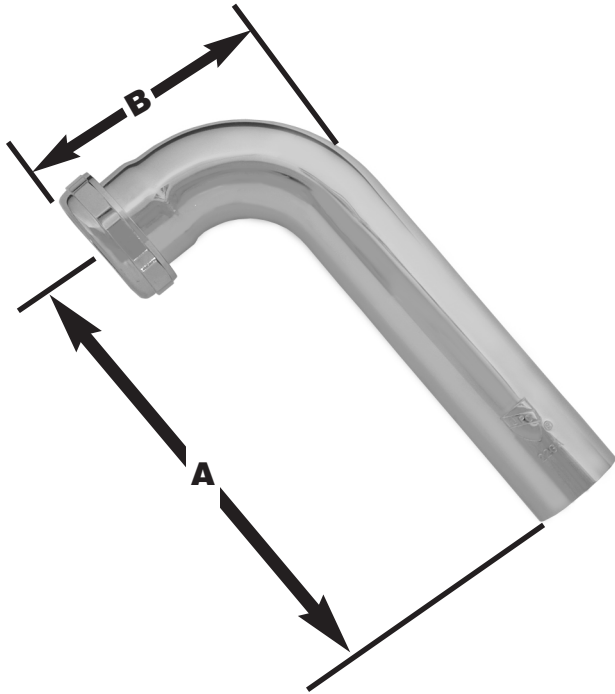


SPECIFICATION SUBMITTAL SHEET

j o n e s s t e p h e n s c o r p o r a t i o n

BRASS SLIP JOINT WASTE ARM



features and benefits:

This product and others like it can be found in the Jones Stephens catalog. Call today to order your catalog or download it from our website: www.plumbest.com

| PART NO. | SIZE | GAUGE | A | B | C | D |
|----------------------------------|--------------|-------|-----|--------|---|---|
| <input type="checkbox"/> P38-034 | 1 1/4" x 6" | 22 | 6" | 3" | | |
| <input type="checkbox"/> P38-035 | 1 1/4" x 8" | 22 | 8" | 3" | | |
| <input type="checkbox"/> P38-036 | 1 1/4" x 12" | 22 | 12" | 3" | | |
| <input type="checkbox"/> P38-037 | 1 1/4" x 16" | 22 | 16" | 3" | | |
| <input type="checkbox"/> P38-038 | 1 1/2" x 8" | 22 | 8" | 3 1/4" | | |
| <input type="checkbox"/> P38-039 | 1 1/2" x 12" | 22 | 12" | 3 1/4" | | |
| <input type="checkbox"/> P38-040 | 1 1/2" x 16" | 22 | 16" | 3 1/4" | | |

jones stephens corporation
3249 moody parkway • moody, alabama 35004
toll free phone: 1-800-355-6637 • toll free fax: 1-800-462-6991
www.plumbest.com