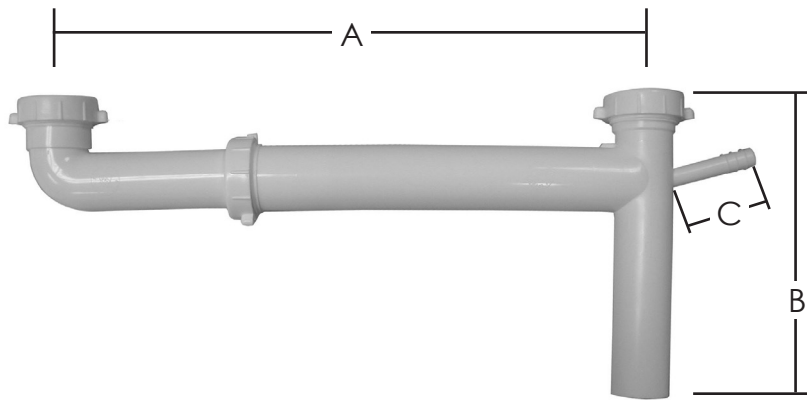


SPECIFICATION SUBMITTAL SHEET

JONES STEPHENS CORPORATION

PVC SLIP JOINT END OUTLET WASTE



PART NO. P37042

features and benefits:

- 1/2" branch
- Adjustable arm

This product and others like it can be found in the Jones Stephens catalog. Call today to order your catalog or download it from our website:
www.plumbest.com

PART NO.	SIZE	A		B	C
□ P37042	1 1/2"	16-1/8" Max	12-1/8" Min	7-3/8"	2-1/4"

measurement is center to center

Jones Stephens Corporation
3249 Moody Parkway • Moody, Alabama 35004
Toll Free Phone: 1-800-355-6637 • Toll Free Fax: 1-800-462-6991
www.plumbest.com